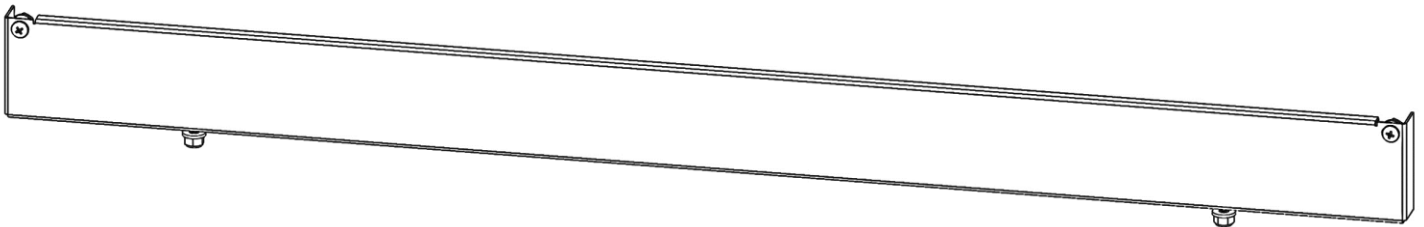


Holman

Installation Guide

48175-48180-48190



Holman

Rancho Cordova, CA 95742

800-343-7486

InstallationSupport@Holman.com

PLEASE READ ALL INSTRUCTIONS AND WARNINGS PRIOR TO ASSEMBLING, INSTALLING, AND USING THIS PRODUCT.

Tools Needed

Phillips Driver	3/8" Wrench and Socket
7/32" Drill Bit	Drill




Table of Contents

Parts List 1
 Hardware 1
 Installation 2

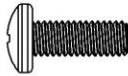

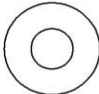
Before You Begin

- Read all instructions prior to installing any Holman product.
- These instructions cover several lengths of shelf lip. Your installation may vary depending on length purchased.
- Ensure shelf unit is assembled prior to lip installation.

Parts List

NO.	ITEM	PART NUMBER	DESCRIPTION	QTY.
1		48175	30" Shelf Lip	1
		48180	20" Shelf Lip	
		48190	10" Shelf Lip	

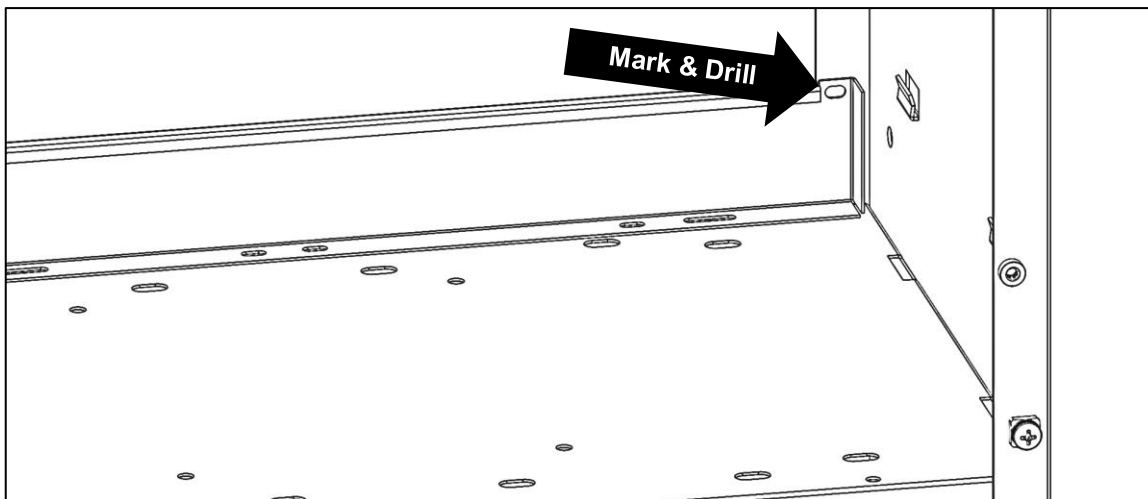
Hardware

ITEM	HARDWARE TO SCALE	PART NUMBER	DESCRIPTION	QTY.
1		29049	10-32 X 1/2" PHILLIPS HEAD SCREW	4
2		37015	10-32 NYLOC NUT	4
3		33074	#10 FLAT WASHER	4

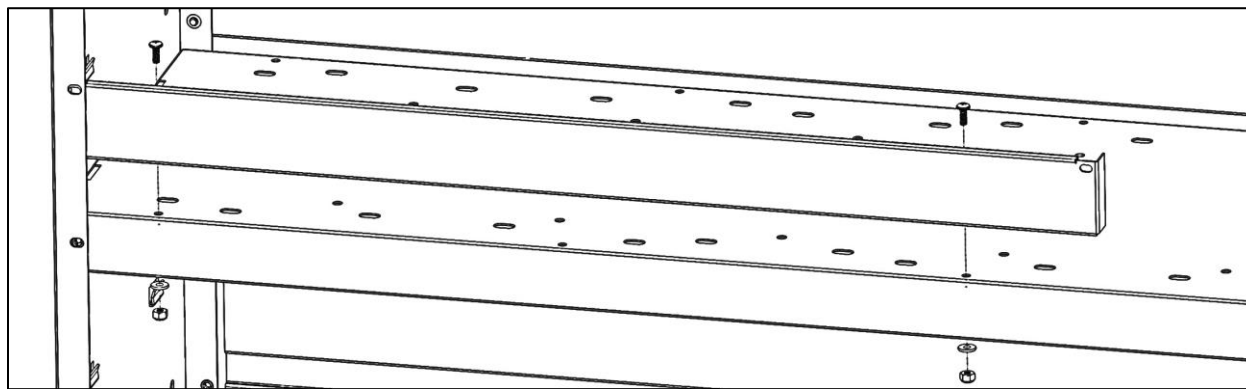
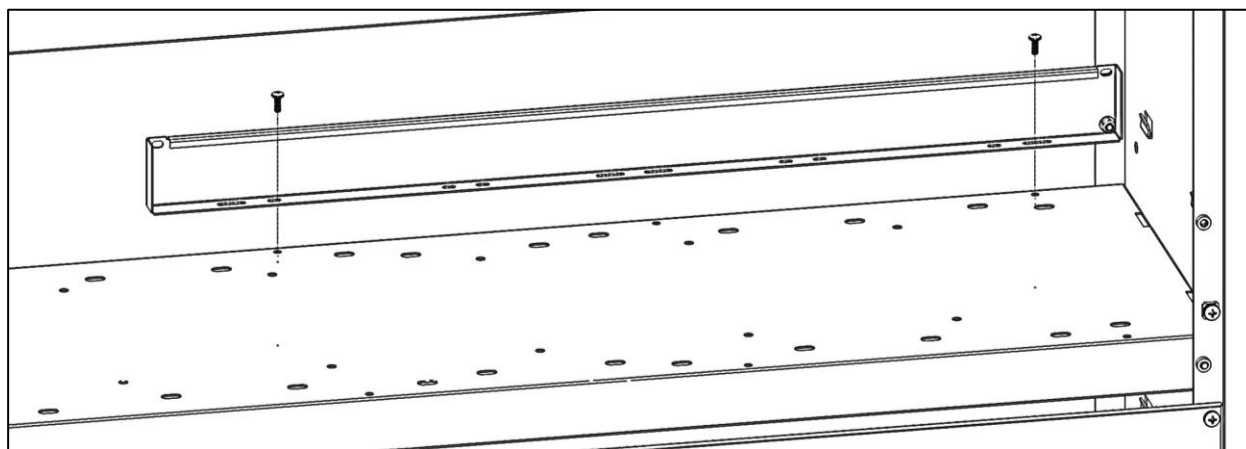
Step 1 Installation

Shelf lip can be installed to either shelf side. Installation to left side of shelf is shown below.

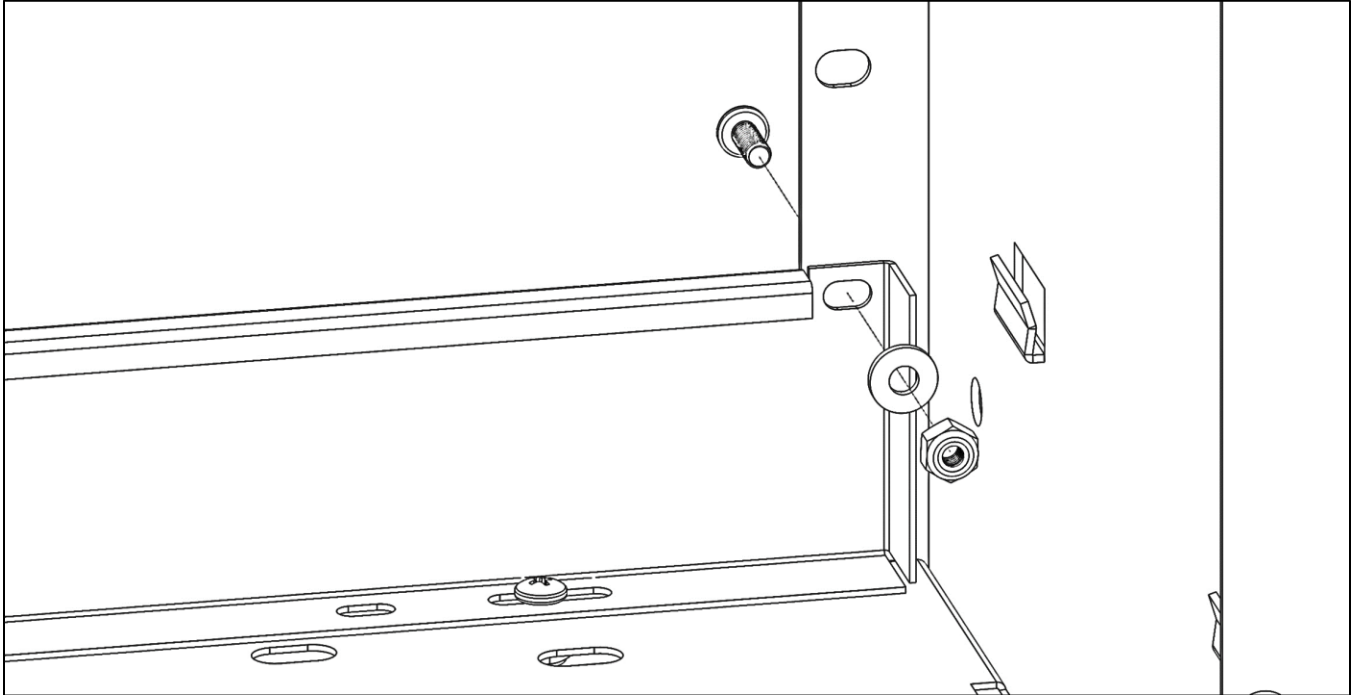
- Position shelf lip at front of shelf against inside of shelf side flange.
- Align holes in bottom of shelf lip with holes in shelf.



- Mark location of slot in shelf lip onto shelf side.
- Set shelf lip aside.
- Using 7/32" drill bit, drill hole at location marked.
- Using two #10 x 1/2" screws, two #10 washers, and two #10 lock nuts, loosely bolt shelf lip to shelf.



- Using another #10 x 1/2" screw, #10 lock nut, and #10 washer, bolt shelf lip to shelf side.



GO BACK AND ENSURE ALL HARDWARE IS TIGHT.

INSTALLATION IS COMPLETE.