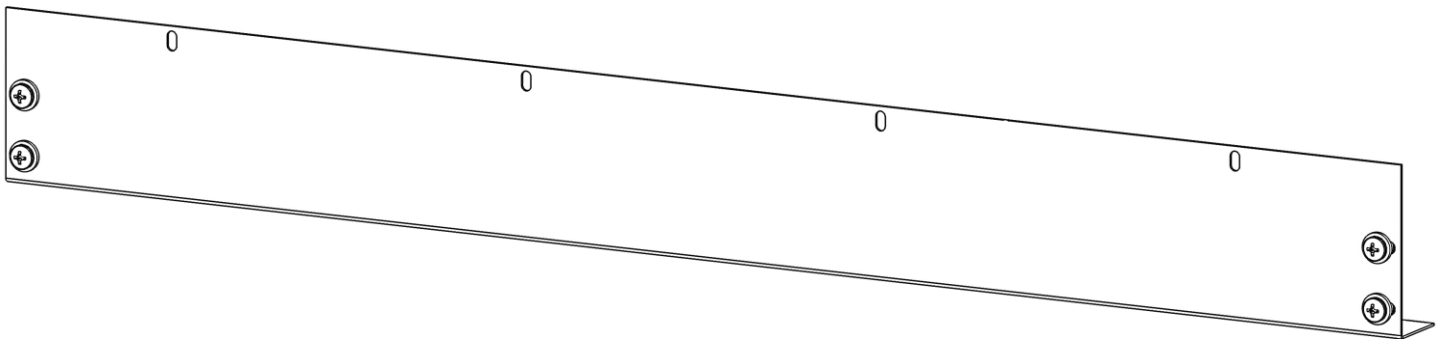


Holman

Instruction Guide

48215



Holman
Rancho Cordova, CA 95742
800-343-7486
InstallationSupport@Holman.com

PLEASE READ ALL INSTRUCTIONS AND WARNINGS PRIOR TO ASSEMBLING, INSTALLING, AND USING THIS PRODUCT.

Warning



Always check for wires, fuel tanks and lines, brake lines and other important vehicle functionality items prior to drilling and installing all products.

Tools Needed

7/16" Socket and Wrench	#2 Phillips Screwdriver
-------------------------	-------------------------

Table of Contents

Before You Begin 1

Parts List 1

Hardware 2

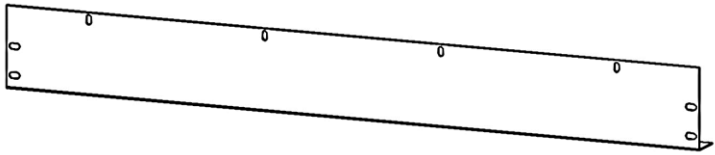
Step 1 – Install Shelf Lip to Shelf 2

Step 2 – Install Door Kit (Optional) 3

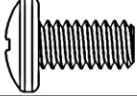
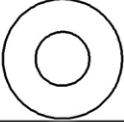

Before You Begin

- Read all instructions prior to assembling or installing any Holman product.
- Prepare shelf for installation prior to performing any work.
- **ENSURE SAFETY WHILE INSTALLING OR DRILLING INTO VEHICLE.**

Parts List

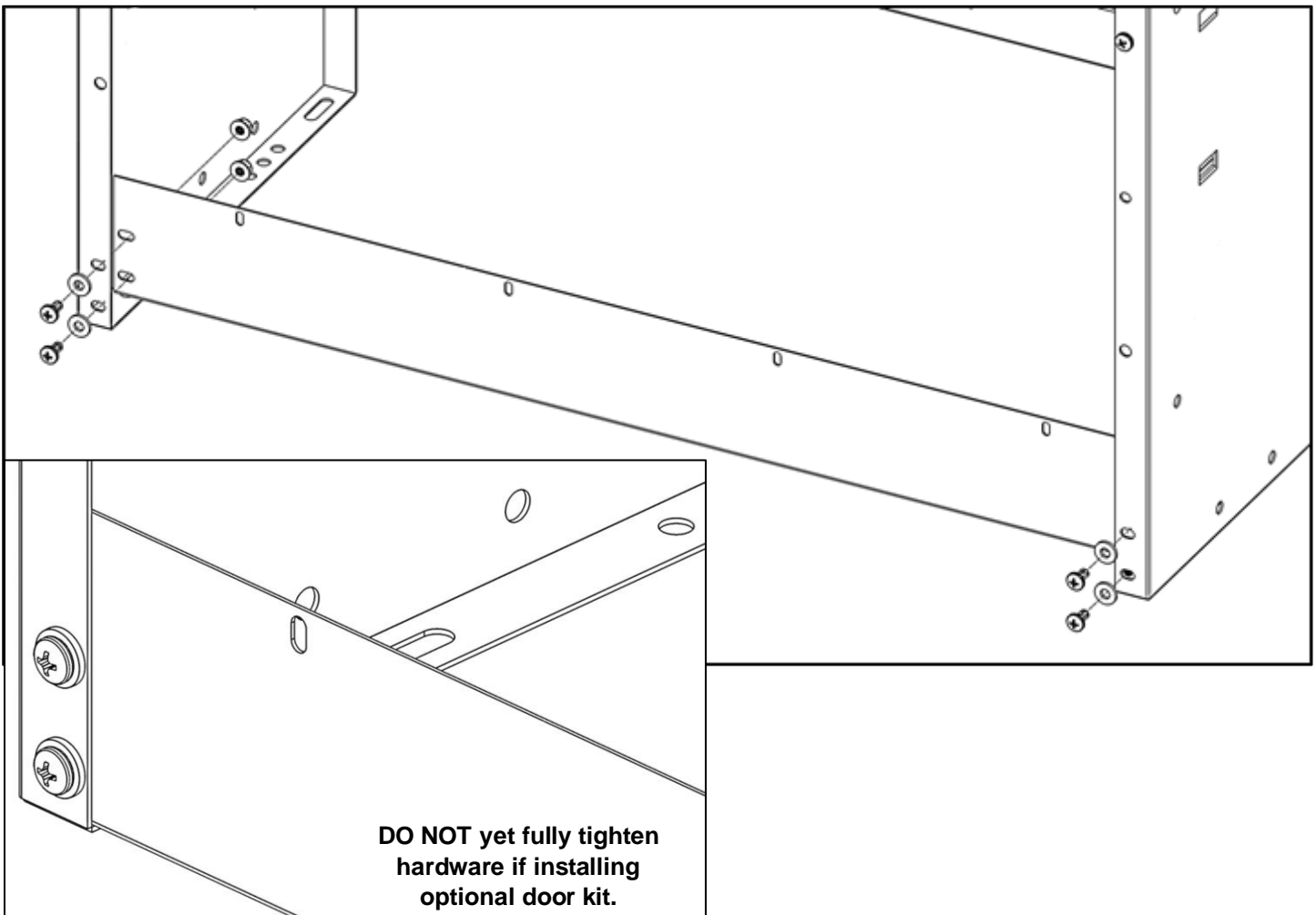
NO.	ITEM	PART NUMBER	DESCRIPTION	QTY.
1		48215-00-001	SHELF FRONT LIP	1
2		18-48220	HARDWARE KIT	1

Hardware

ITEM	HARDWARE TO SCALE	PART NUMBER	DESCRIPTION	QTY.
1		72586	1/4"-20 X 1/2" PHILLIPS PAN HEAD SCREW	4
2		33078	1/4" WASHER	4
3		0167030	1/4"-20 FLANGED LOCK NUT	4

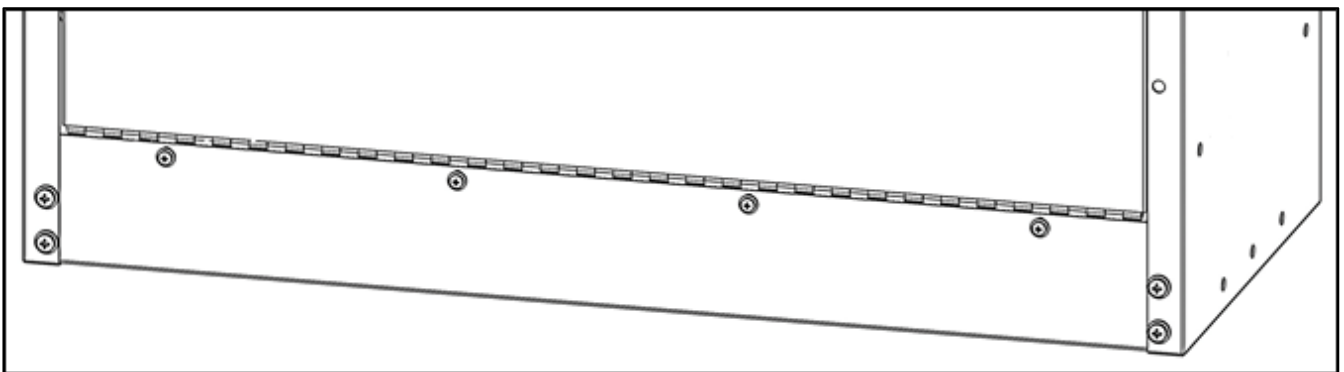
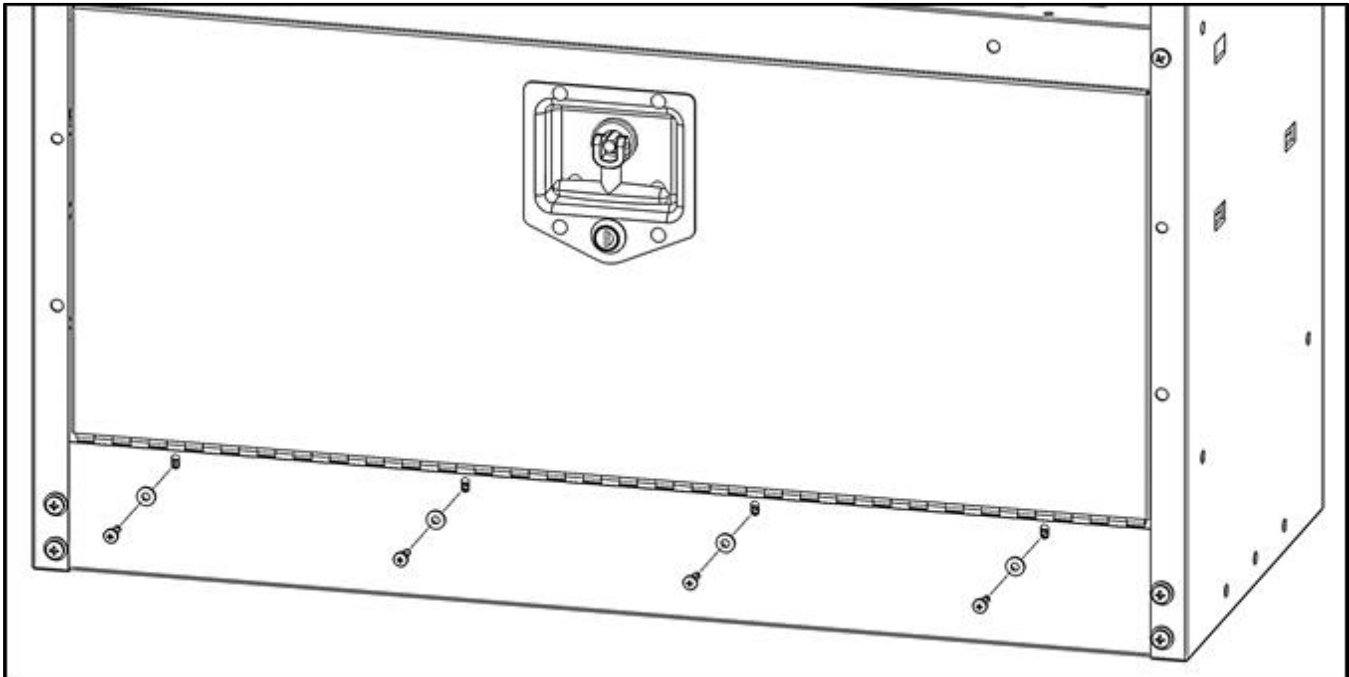
Step 1 – Install Shelf Lip to Shelf

- Place shelf lip in orientation shown with the small flange parallel to the floor and large flange against inside of front shelf flanges.
- Using four 1/4" x 1/2" pan head screws, 1/4" washers, and 1/4" flanged lock nuts, attach shelf lip to shelf.
- Snug tighten but allow movement.



Step 2 – Install Door Kit (Optional)

- Follow instructions provided with door kit to install door kit to shelf and shelf lip.
- Use hardware provided with door kit to install.



- Square and align door kit before tightening hardware.

GO BACK AND TIGHTEN ALL HARDWARE.

INSTALLATION AND ASSEMBLY ARE COMPLETE.