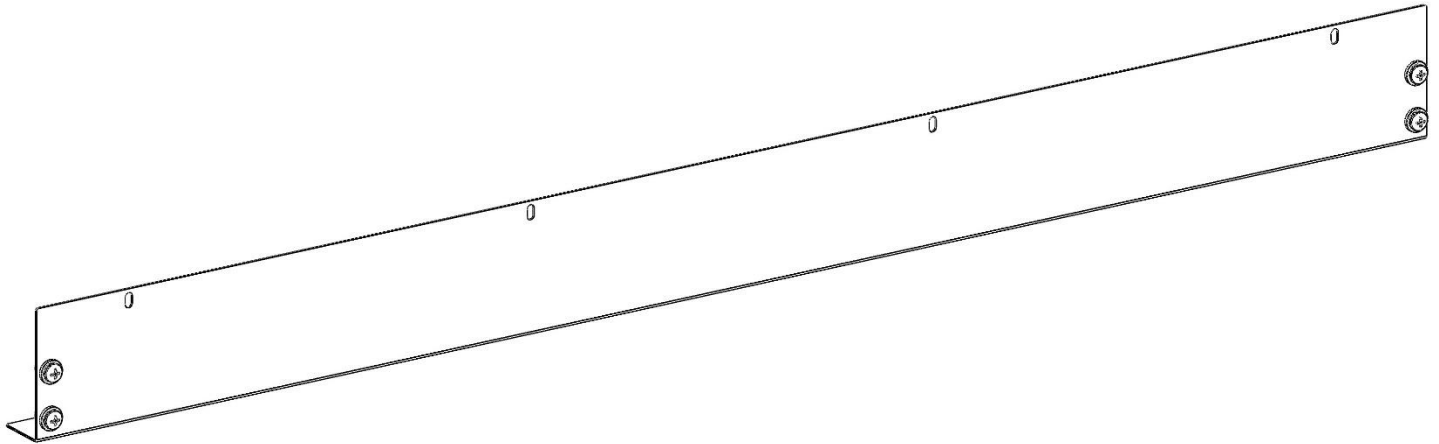


Holman

Installation Guide

48220



Holman
Rancho Cordova, CA 95742
800-343-7486
InstallationSupport@Holman.com

PLEASE READ ALL INSTRUCTIONS AND WARNINGS PRIOR TO ASSEMBLING, INSTALLING, AND USING THIS PRODUCT.

Warning



Always check for wires, fuel tanks and lines, brake lines and other important vehicle functionality items prior to drilling and installing all products.

Table of Contents

Before You Begin 1

Parts List..... 1

Hardware 2

Step 1 – Place Floor Angle in Position 2

Step 2 – Install Door Kit (optional) 3

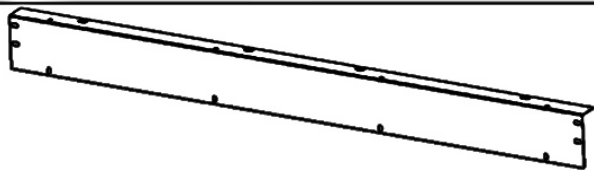
Tools Needed

7/16" Socket and Wrench	#2 Phillips Screwdriver
-------------------------	-------------------------

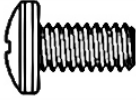
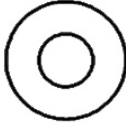

Before You Begin

- Read all instructions prior to assembling or installing any Holman product.
- **Have shelf unit ready to install floor angle.**
- **ENSURE SAFETY WHILE INSTALLING OR DRILLING INTO VEHICLE.**

Parts List

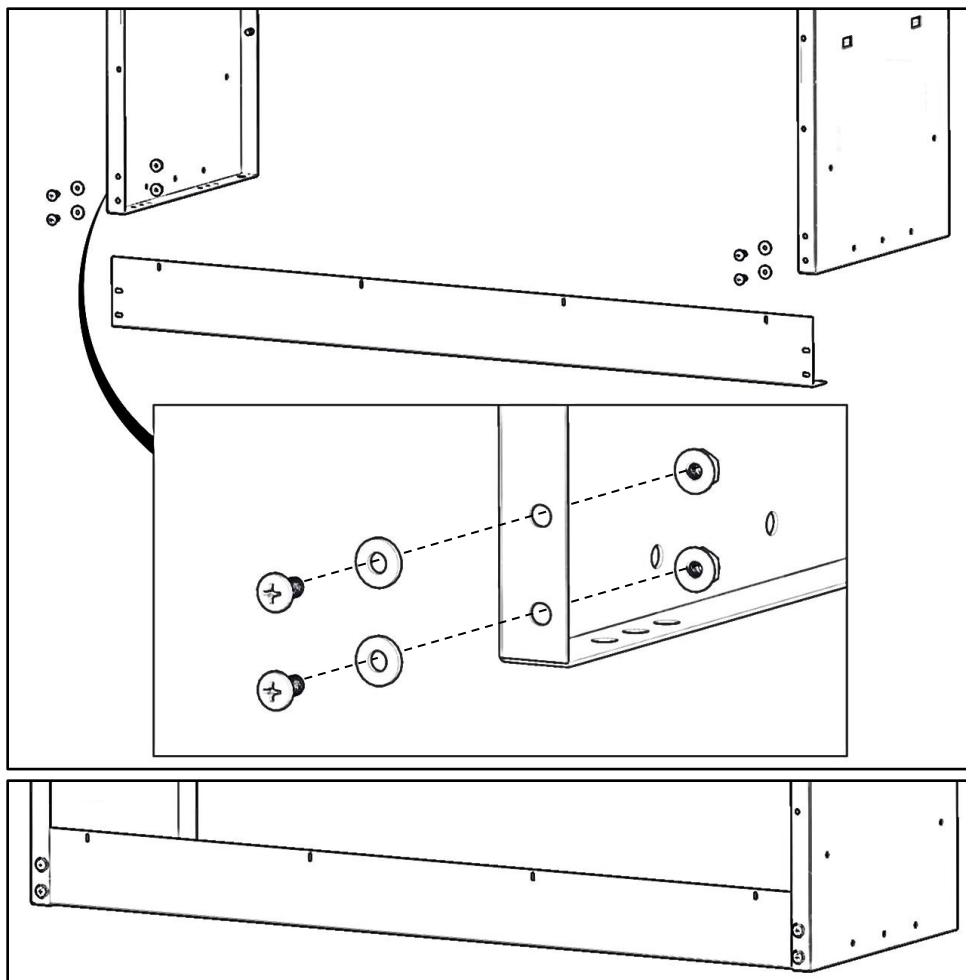
NO.	ITEM	PART NUMBER	DESCRIPTION	QTY.
1		KM8007-106-R3	42IN FLOOR ANGLE	1
2		18-48220	Hardware Kit	1

Hardware

ITEM	HARDWARE TO SCALE	PART NUMBER	DESCRIPTION	QTY.
1		72586	1/4"-20 X 1/2" PHILLIPS PAN HEAD SCREW	4
2		33078	1/4" FLAT WASHER	4
3		0167030	1/4"-20 FLANGED LOCK NUT	4

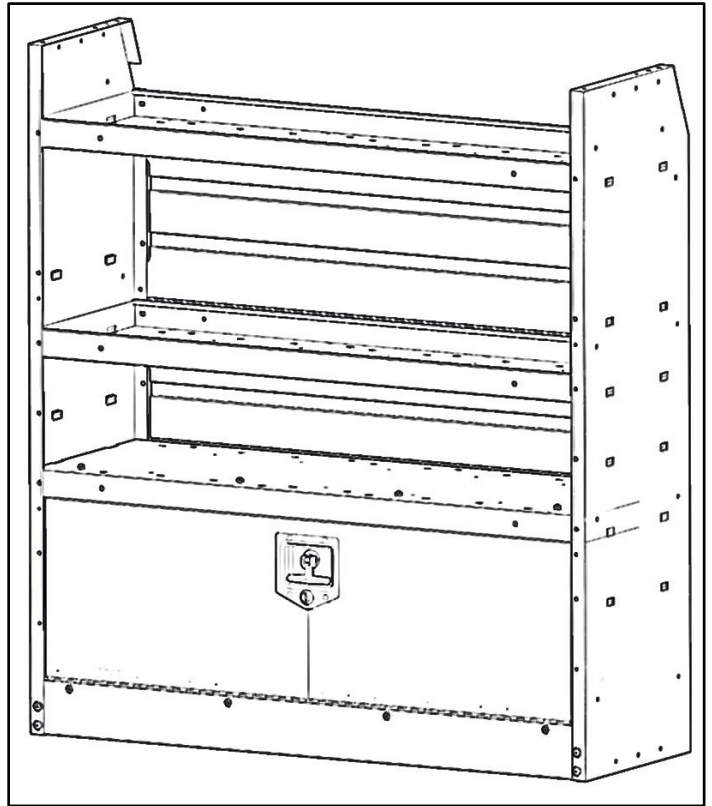
Step 1 – Place Floor Angle in Position

- Place floor angle in orientation shown with the small flange parallel to the floor and large flange against inside of front shelf flanges.
- Using four 1/4" x 1/2" pan head screws, four 1/4" flat washers, and four 1/4" flanged lock nuts, bolt floor angle to the shelf.
- The floor angle goes inside of the lip on the shelf assembly.
- Snug tighten, but allow movement.



Step 2 – Install Door Kit (optional)

- Previously installed floor angle can be used to mount door kit.
- Follow instructions included in the door kit (40010) to install.



**GO BACK AND TIGHTEN ALL
HARDWARE.**

INSTALLATION IS COMPLETE.

