

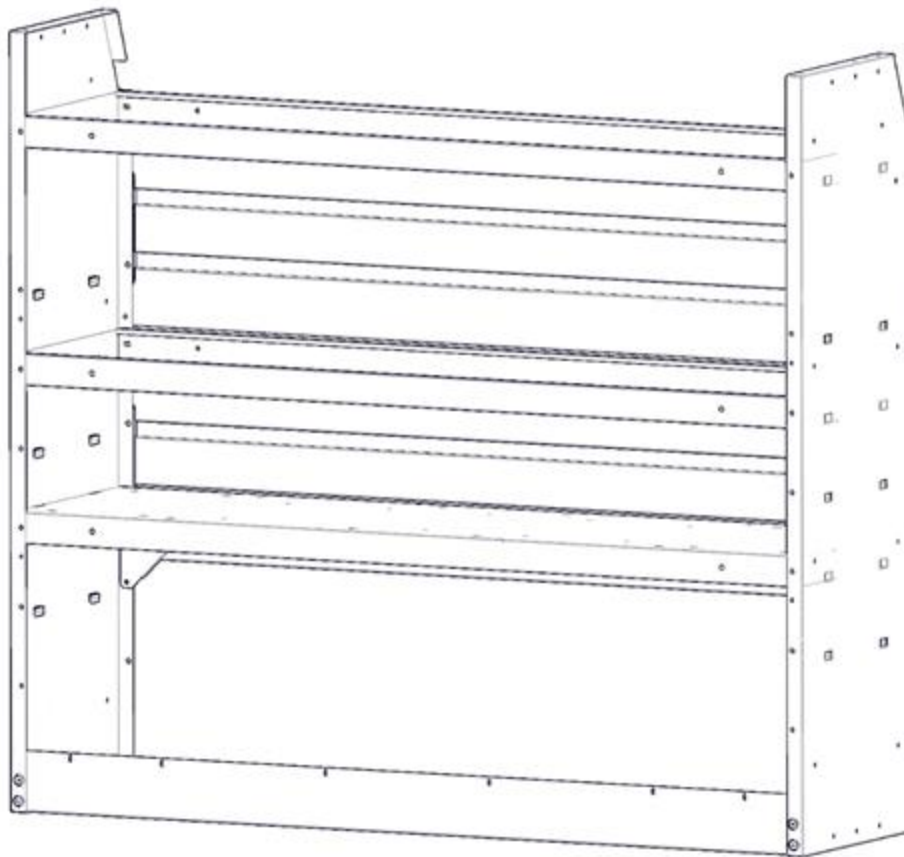
# Holman

---

## Installation Guide

### 48230

---



---

Holman  
Rancho Cordova, CA 95742  
800-343-7486  
InstallationSupport@Holman.com

---

**PLEASE READ ALL INSTRUCTIONS AND WARNINGS PRIOR TO ASSEMBLING, INSTALLING, AND USING THIS PRODUCT.**

**Warning**



Always check for wires, fuel tanks and lines, brake lines and other important vehicle functionality items prior to drilling and installing all products.

**Tools Needed**

Phillips Driver	7/16" Wrench and Socket
-----------------	-------------------------

**Table of Contents**

Parts List ..... 2

Hardware List ..... 2

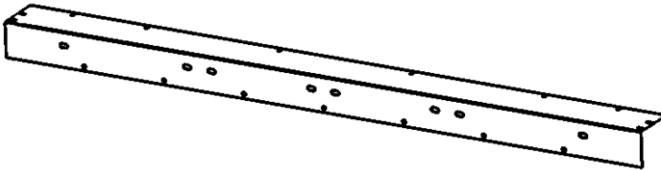
Step 1 Place Shelf Lip in Position ..... 3

Step 2 Install Door Kit (optional) ..... 3

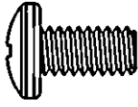
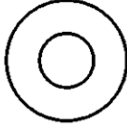

**Before You Begin**

- Read all instructions.
- **Be sure to have shelf unit assembled or installed prior to installing this product.**
- **ENSURE SAFETY BEFORE DRILLING OR CUTTING.**

**Parts**

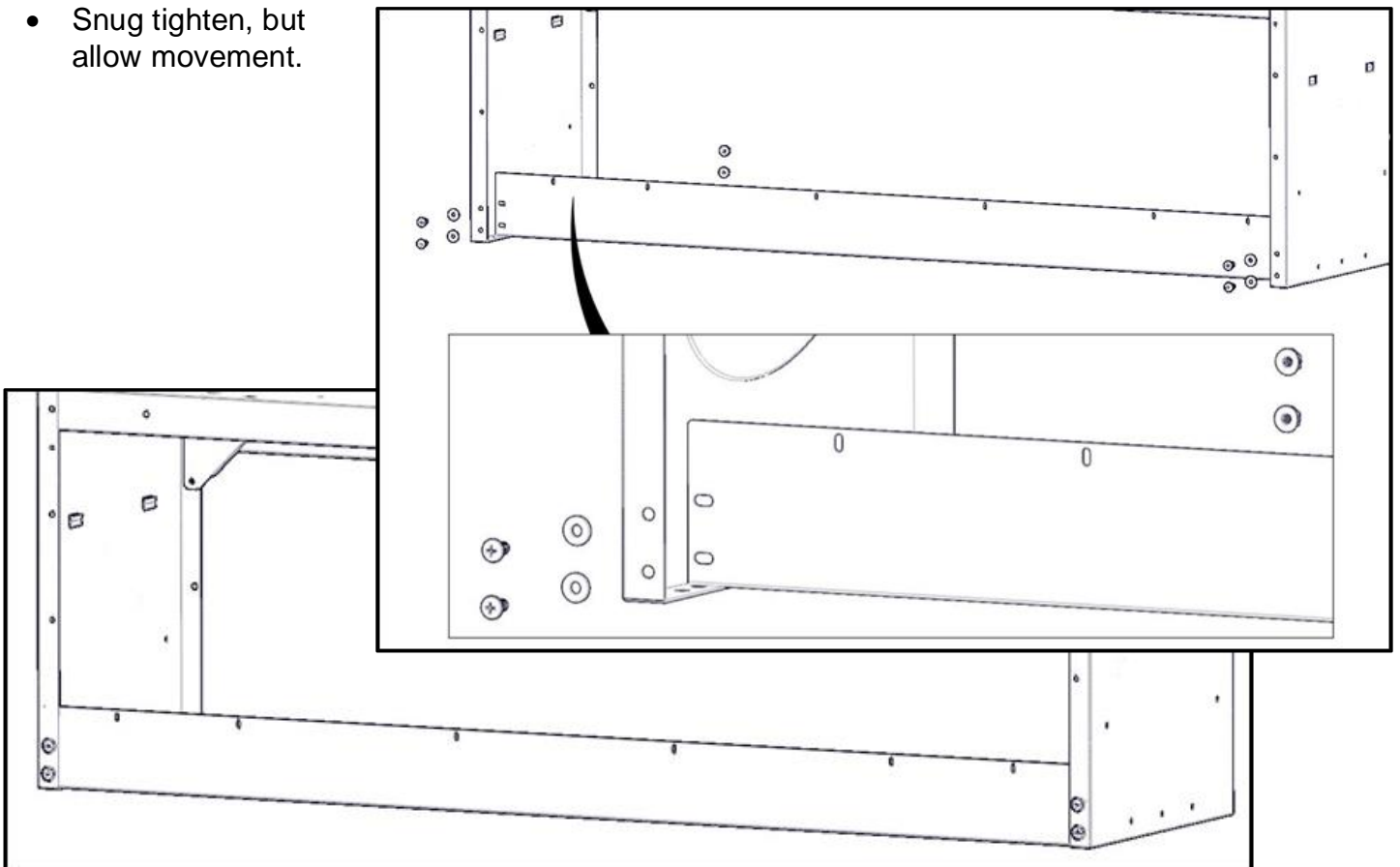
ITEM NO.		PART NUMBER	DESCRIPTION	QTY.
A		KM40040-103	52" Shelf Lip	1
		18-48230	Hardware Kit	1

## Hardware

ITEM NO.	TO SCALE	DESCRIPTION	PART NUMBER	QTY.
1		.25-20 x .50 Phillips Round Head	90272A537	4
2		.25 Flat Washer	90126A029	4
3		.25-20 Flanged Nyloc	93298A110	4

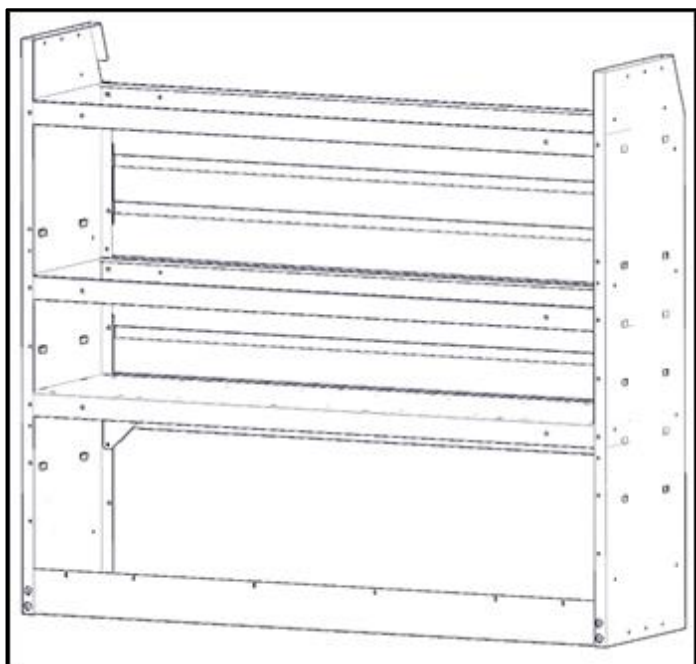
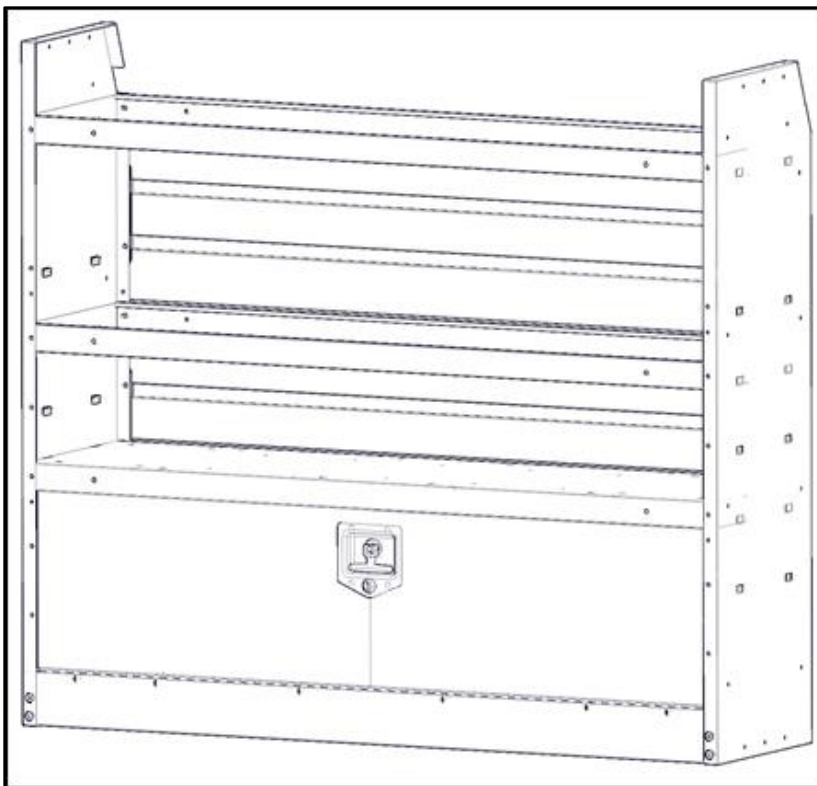
### Step 1 – Place Shelf Lip in Position

- Place shelf lip in orientation shown at the bottom, front of the shelf assembly.
- Bolt shelf lip to shelf using 1/4 round head bolt, 1/4 flat washer and 1/4 flanged lock nut.
- The shelf lip goes inside of the lip on the shelf assembly.
- Snug tighten, but allow movement.



## **Step 2 – Install Door Kit (optional)**

- Follow instructions from the door kit to install.
- Use previously installed shelf lip to mount door kit to.



**GO BACK AND TIGHTEN ALL  
HARDWARE.**

**INSTALLATION IS COMPLETE.**