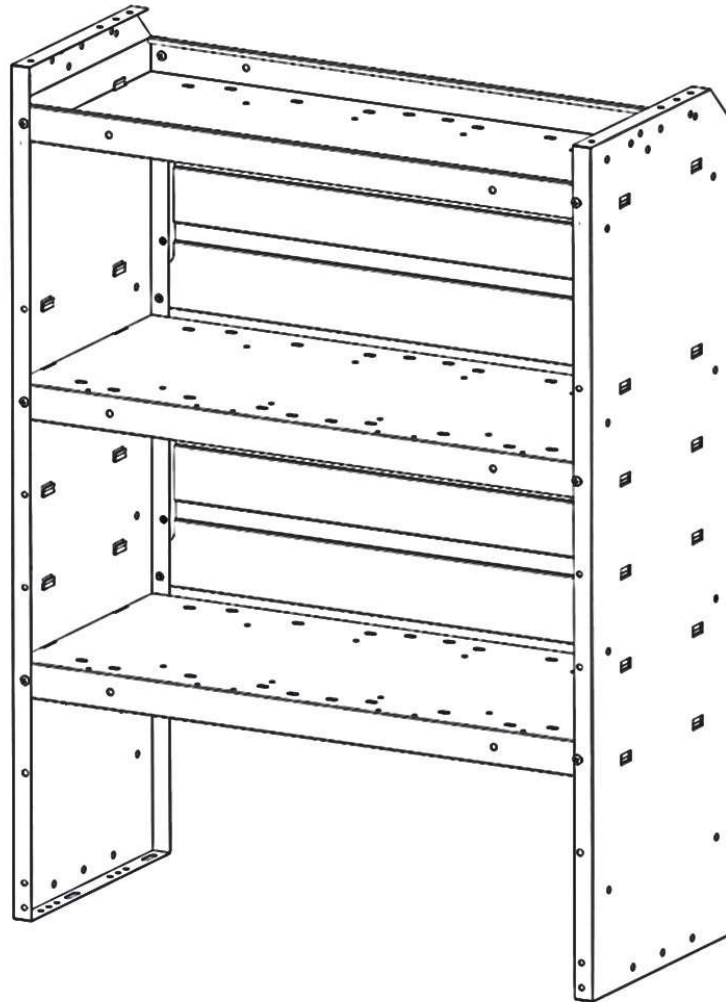


Holman

Assembly Guide 4826L-4832L



Holman
Rancho Cordova, CA 95742
800-343-7486
InstallationSupport@Holman.com

PLEASE READ ALL INSTRUCTIONS AND WARNINGS PRIOR TO ASSEMBLING, INSTALLING, AND USING THIS PRODUCT.

Warning



Always check for wires, fuel tanks and lines, brake lines and other important vehicle functionality items prior to drilling and installing all products.

Tools Needed

Phillips Driver

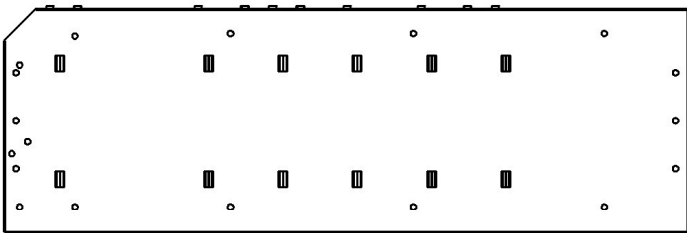
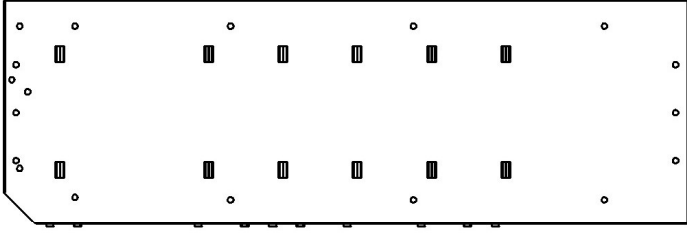
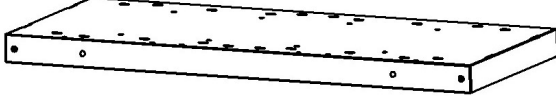
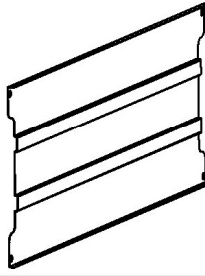
Table of Contents

Parts List.....	2
Hardware	2
Step 1 – Determine shelf locations	3
Step 2 – Attach Shelves to Side Panel	4
Step 3 – Attach Opposite Shelf Side	5
Step 4 – Attach Back Panels	6

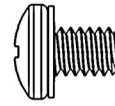
Before You Begin

- Read all instructions prior to assembling or installing any Holman product.
- These instructions cover both the 4826L Shelf Unit (**26" W** x 43" H x 14" D) and 4832L Shelf Unit (**32" W** x 43" H x 14" D).
- **When installing, LIFT AND SET shelf into position, DO NOT DRAG shelf into position.**

Parts List

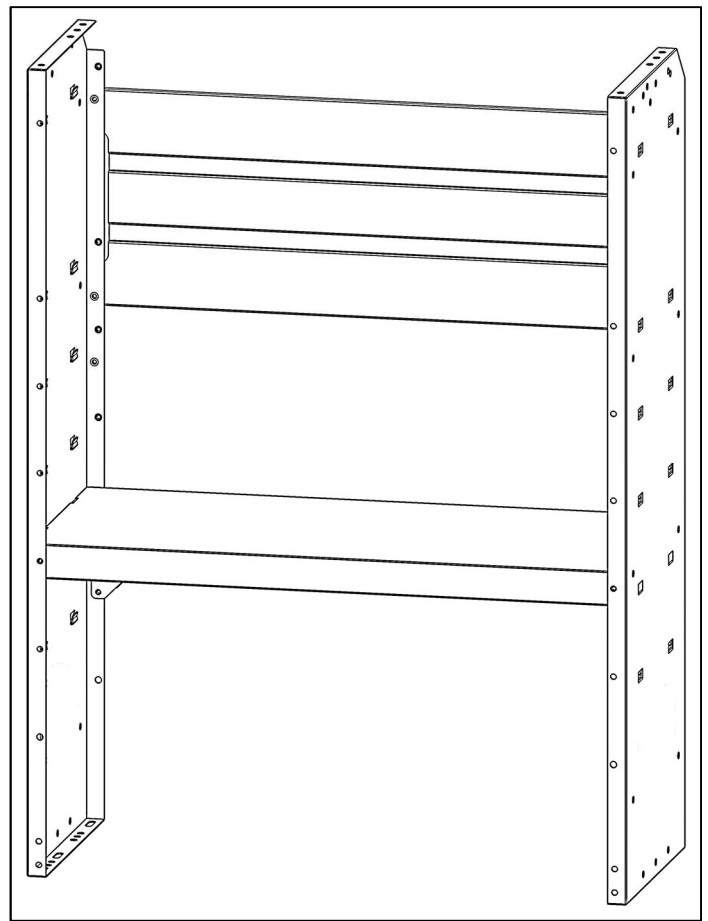
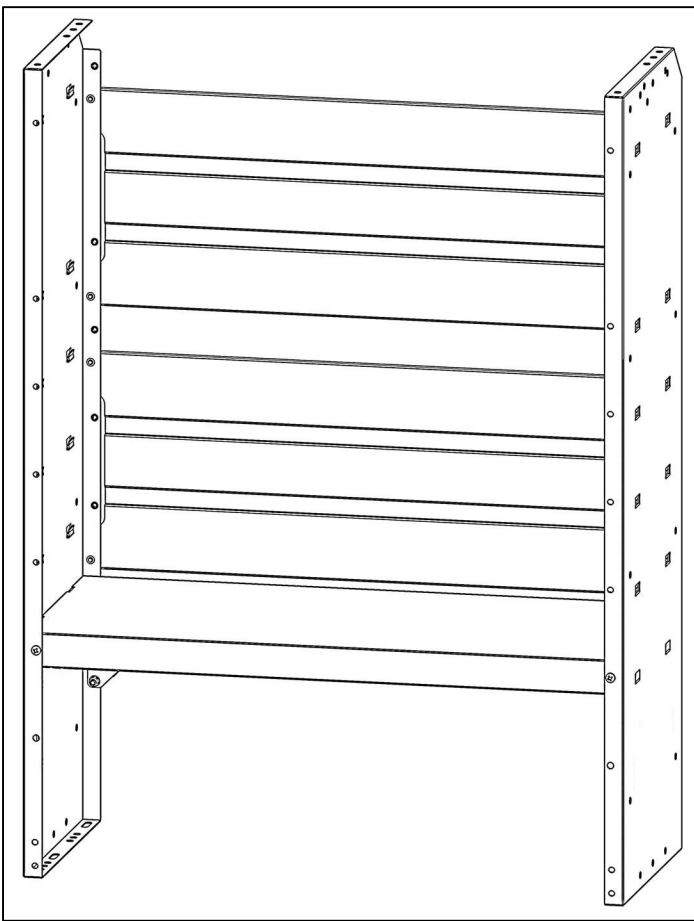
NO.	ITEM	PART NUMBER	DESCRIPTION	QTY.
1		48043-10	43"H RH Side Panel ASM	1
2		MIRROR48043-10	MIRROR-43"H SHELF	1
5		48026-10 OR 48032-10	26" SHELF ASM OR 32" SHELF ASM	
6		48026-00-001 OR 48032-00-001	26" SHELF BACK OR 32" SHELF BACK	
7		18-48020	HARDWARE KIT	1
8		4861	SHELF MOUNTING KIT	1

Hardware

ITEM	HARDWARE TO SCALE	PART NUMBER	DESCRIPTION	QTY.
1		0147646	1/4"-20 x 3/8" PAN HEAD SCREW, INTERNAL TOOTH WASHER	20

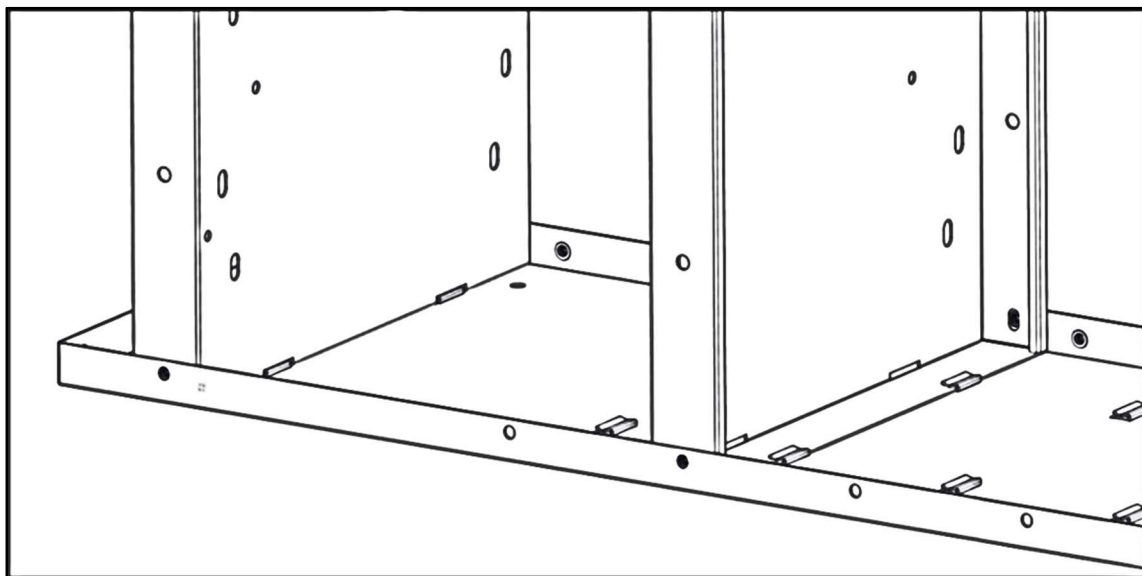
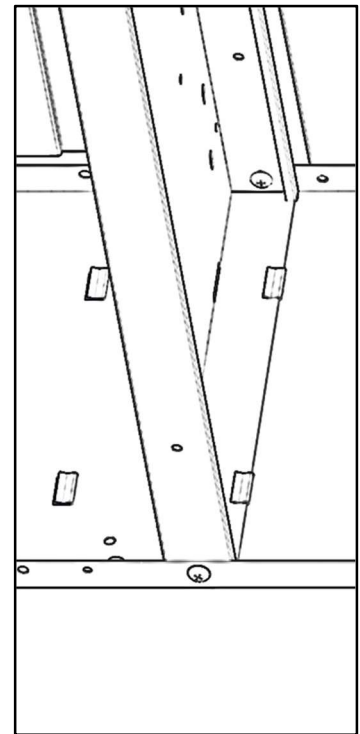
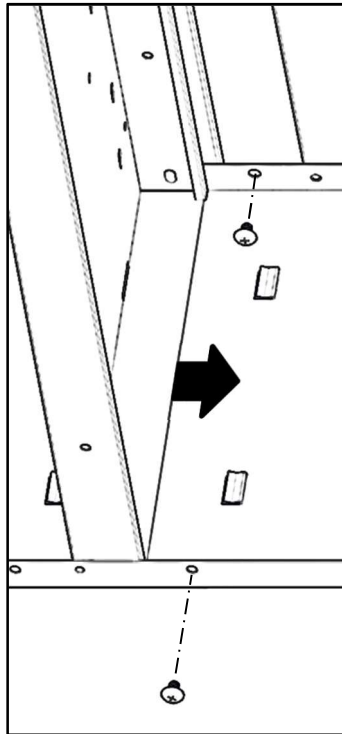
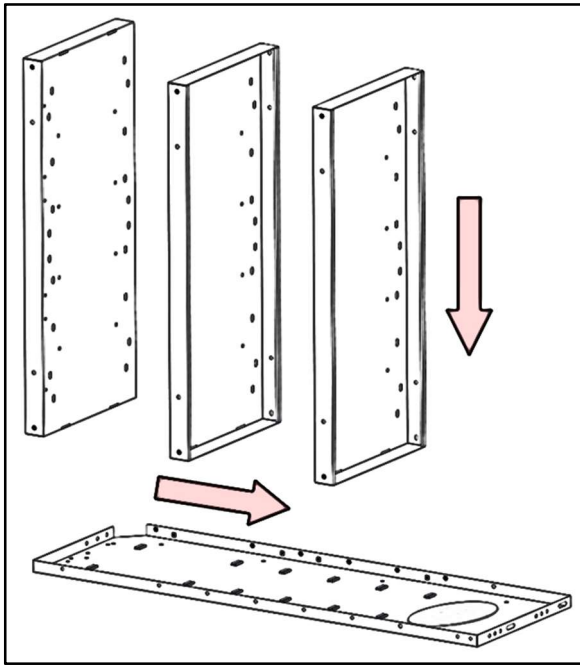
Step 1 – Determine Shelf Locations

- Shelves can be assembled with flanges pointing up to retain shelf contents, or flanges pointing down to allow the installation of drawer cabinets. Decide which option you want for each shelf before attaching it to the side panels. The beveled corner of each shelf side is in the back. Each shelf, front side only has nuts pressed into the shelf flange. Make sure the shelf is oriented properly (pressed-in nuts towards front).
- Keep in mind if installing shelf accessories, or additional shelves, as distances between shelves becomes important.
- Normal mounting positions of the bottom shelf and rear panel are shown in the image below on the left. The required assembly for a ProMaster City is shown below on the right. Installation in a ProMaster City requires the bottom shelf be located up on set of lances and no bottom rear back panel is installed.



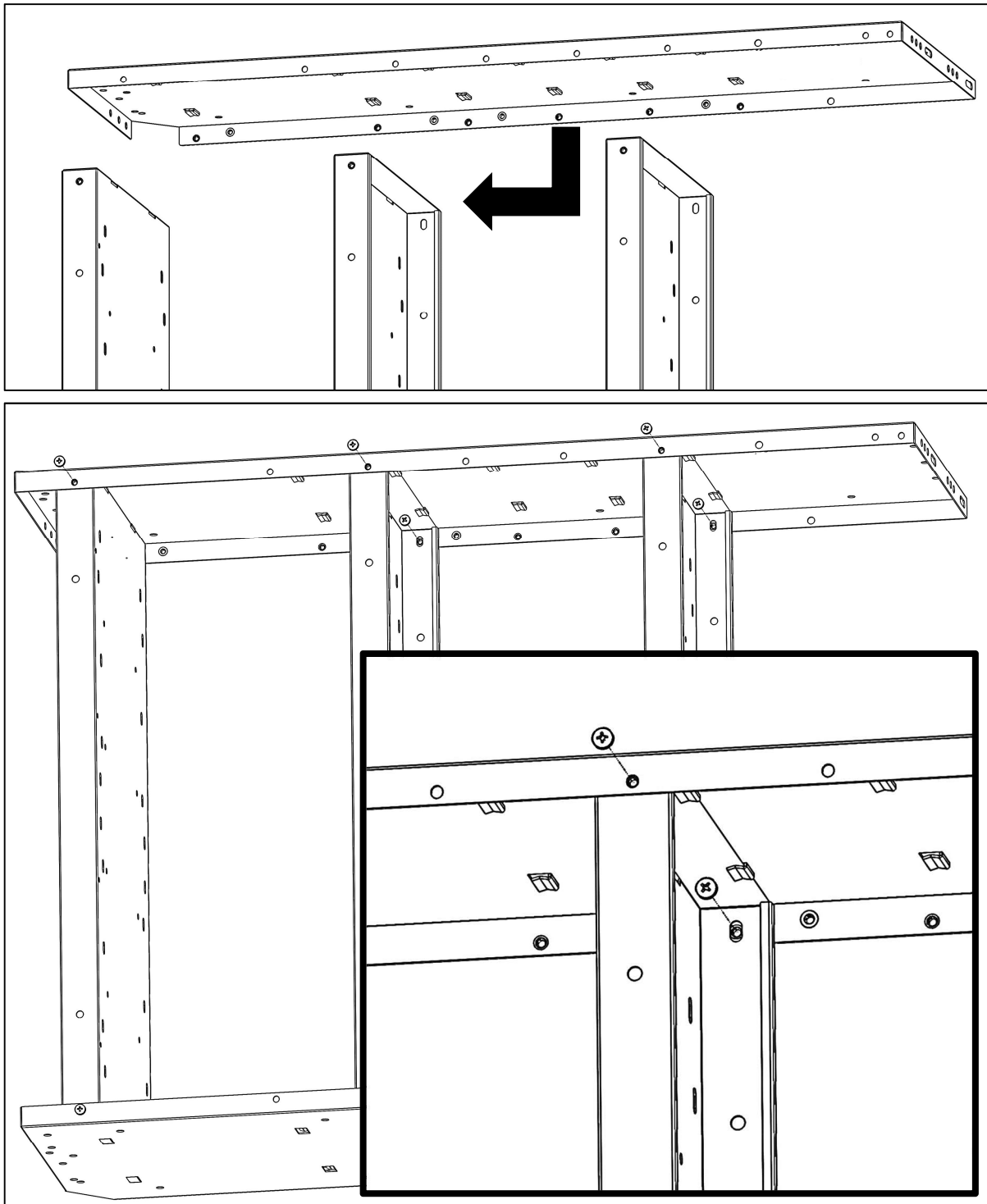
Step 2 – Attach Shelves to Side Panel

- Place shelf side in orientation shown on floor or work bench.
- Press the shelf against the side shelf then push shelf firmly against the lances.
- Using two 1/4"x 3/8" pan head cap screws per shelf, attach the front and rear of the shelf to each side.
- Snug tighten but allow movement.



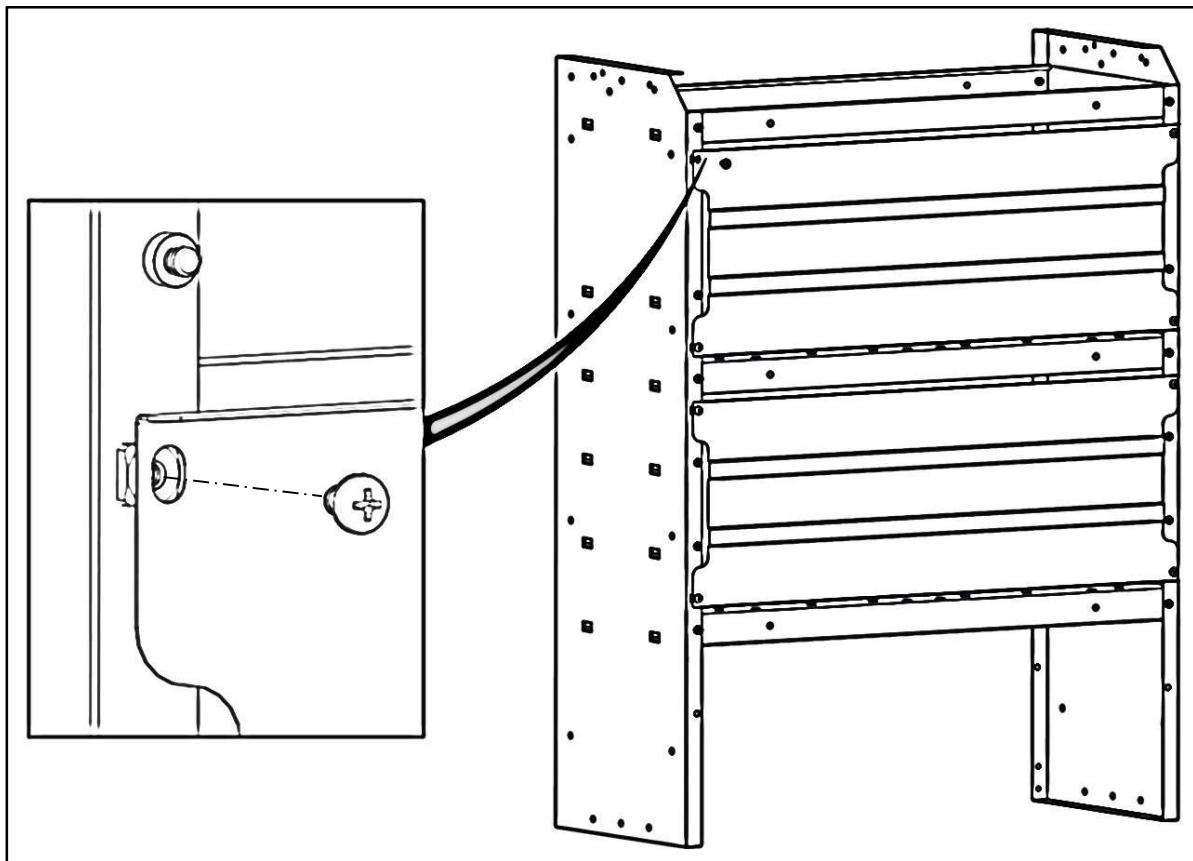
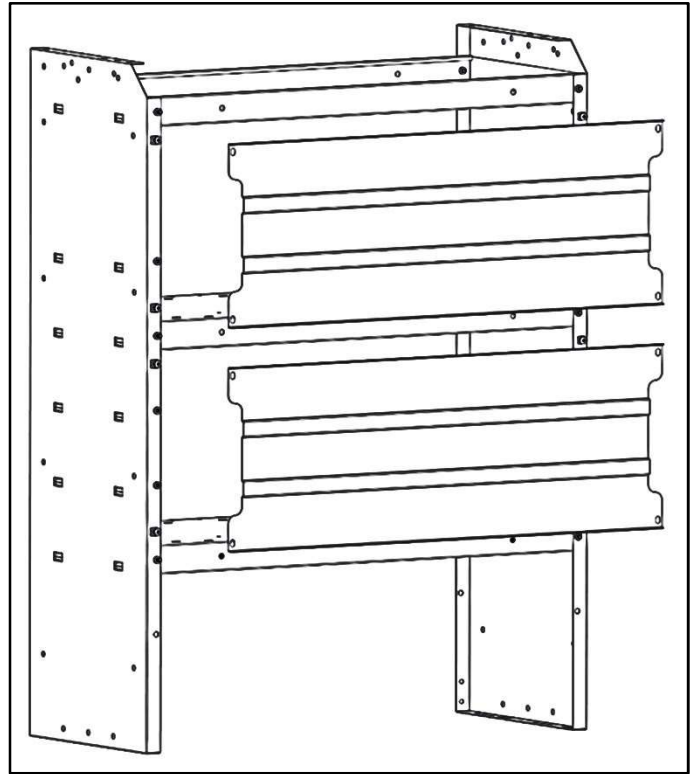
Step 3 – Attach Opposite Shelf Side

- Place other shelf side onto shelf sides in orientation shown.
- Slide shelf until shelf tabs rests firmly against the lances on the shelf side.
- Using two 1/4"x 3/8" pan head cap screws per shelf, attach the front and rear of the shelf to each side.
- Snug tighten, but allow movement.

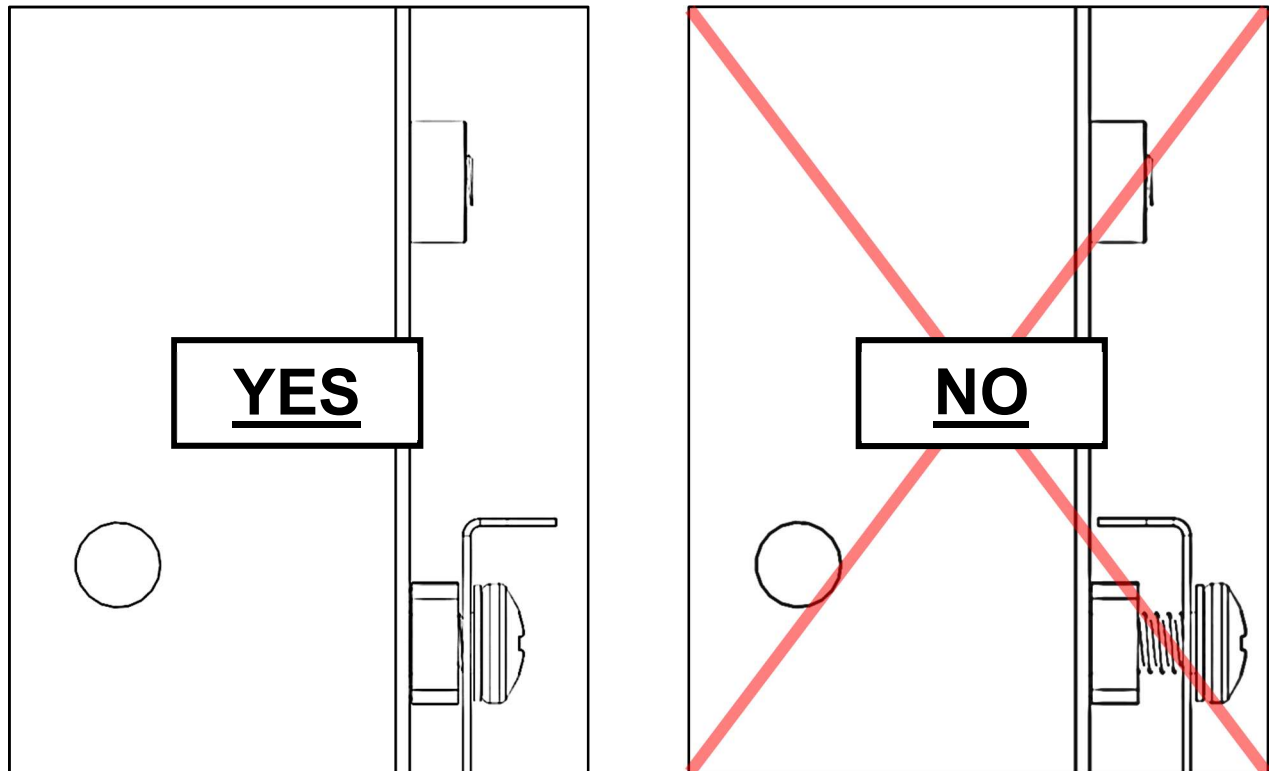


Step 4 – Attach Back Panels

- Align and square shelf.
- At the backside of shelf assembly, place back panels as shown. **Be sure to install back panel in the correct orientation, see next page.**
- Using four 1/4" x 3/8" pan head cap screws per back panel, attach the back panels to the assembled shelves.
- TIGHTEN.
- Go back and ensure all bolts are TIGHT.



When installing the rear panels to the assembled shelves, be sure the lip flange is facing away from the shelf. If the rear panel is installed incorrectly, it may rattle.



Be sure shelves are aligned and shelving unit is square.

Go back and ensure all bolts are TIGHT.

Insert shelf into van and follow installation instructions.