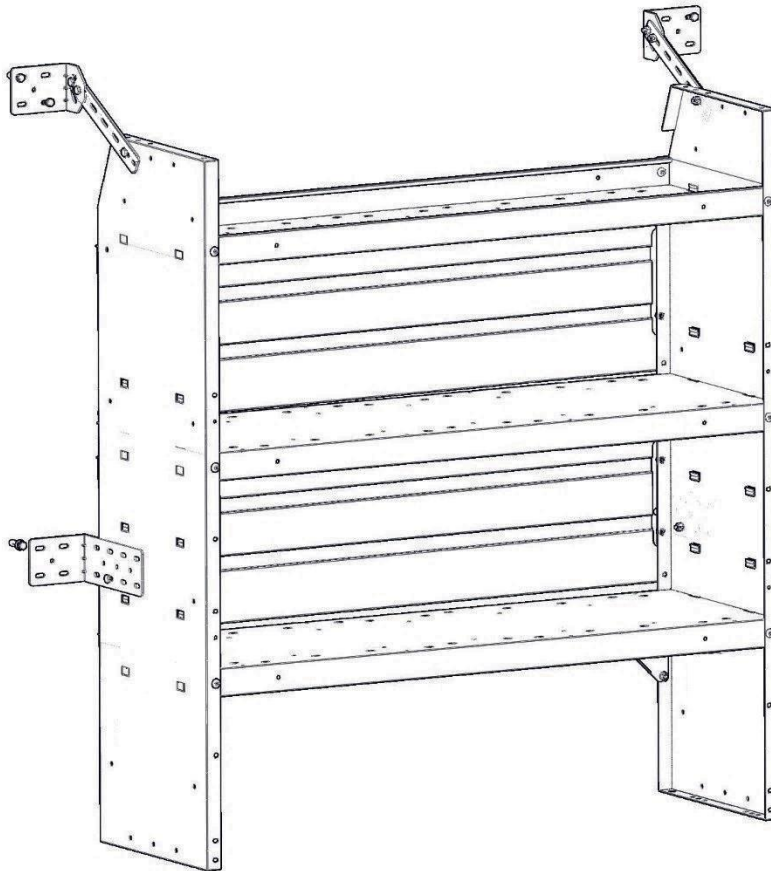


Holman

Installation Guide 4861



Holman
Rancho Cordova, CA 95742
800-343-7486
InstallationSupport@Holman.com

PLEASE READ ALL INSTRUCTIONS AND WARNINGS PRIOR TO ASSEMBLING, INSTALLING, AND USING THIS PRODUCT.

Warning



Always check for wires, fuel tanks and lines, brake lines and other important vehicle functionality items prior to drilling and installing all products.

Tools Needed

Phillips Driver	Drill
25/64" Drill Bit	7/16" Wrench and Socket
9/16 Box Wrench	Drill Bit Stop Collar

Table of Contents

Before You Begin 1

Parts 2

Hardware 2

Plus Nuts Installation Instructions 3

Step 1 – Insert Shelf into Van 4

Step 2 – Assemble Top Mount 4

Step 3 – Install Top Mount 5

Step 4 – Install Mid Mount 6

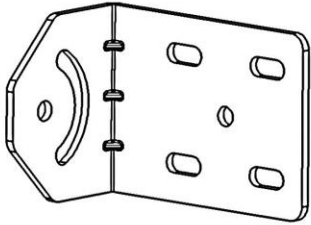

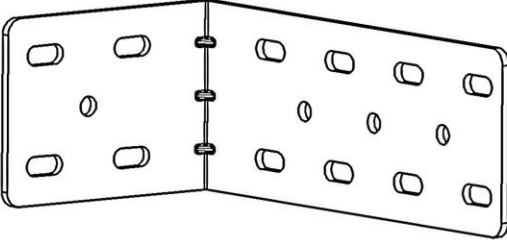
Step 5 – Mount to Floor 7

Step 6 – Mount to Shelf 7

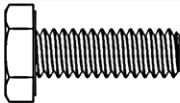
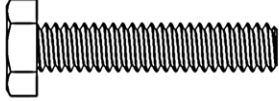
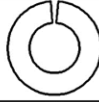
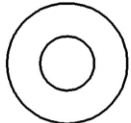

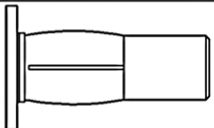
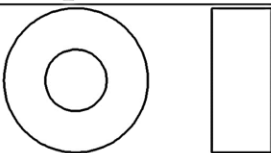
Before You Begin

- Read all instructions prior to assembling or installing any Holman product.
- Ensure it is safe to drill before drilling anywhere on vehicle.
- Instructions shown using a 46”H x 42”W Shelf. Instructions are the same for both 32”W and 52”W.
- **When installing, LIFT, DO NOT DRAG shelf to position.**

Parts

NO.	ITEM	PART NUMBER	DESCRIPTION	QTY.
1		4861-10-001	Knock Down Upper Mount	2
2		4861-10-002	Knock Down Connecting Strap	2
3		4861-10-003	Knock Down Mid Mount	1
4		18-4861	SHELF MOUNTING KIT HARDWARE	1

Hardware

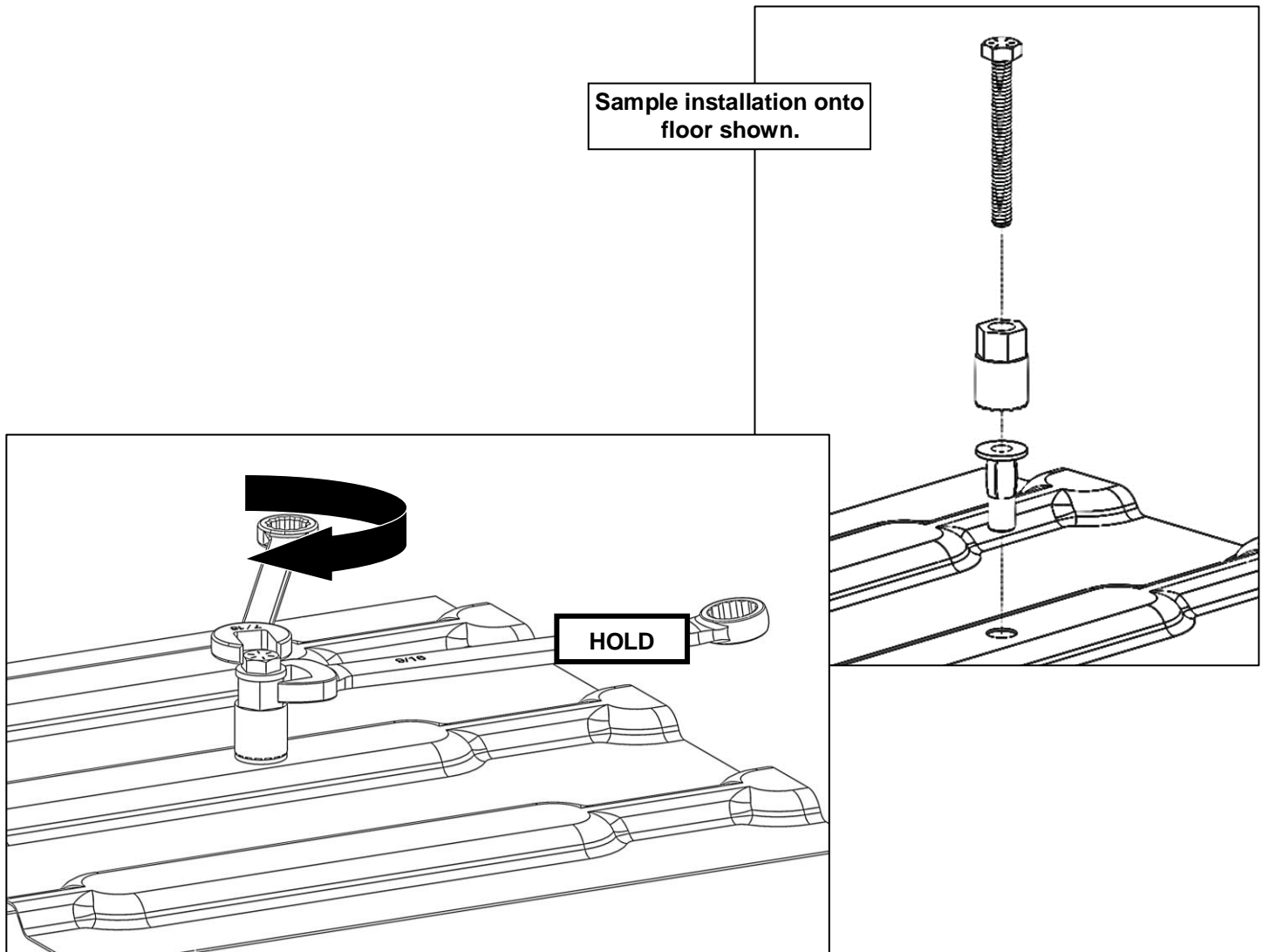
NO.	TO SCALE	FASENALSKU	DESCRIPTION	QTY.
1		11241345	1/4"-20 X 3/4" HEAD HEAD BOLT	13
2		13800	1/4"-20 X 1-1/4" HEX HEAD BOLT	4
3		1133618	1/4"-20 LOCK WASHER	10
4		33078	1/4" FLAT WASHER	24
5		37018	1/4"-20 NYLON INSERT LOCK NUT	7
6		920313726	1/4"-20 PLUS NUT	10
7		-	25/64" ID X 1" OD X 3/8" NYLON SPACER	4

Plus Nuts Installation Instructions



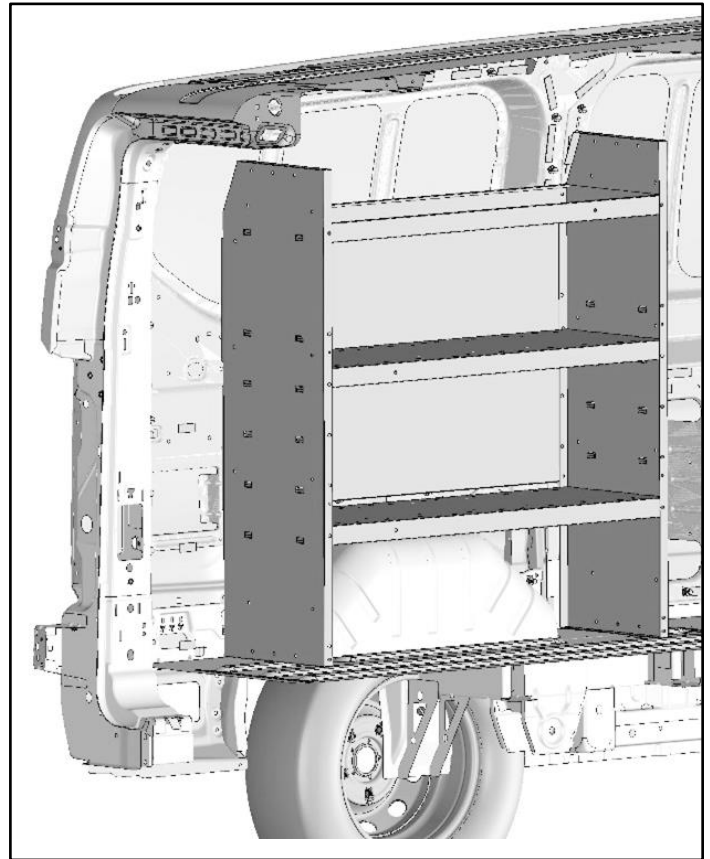
DO NOT drill beyond depth of floor or upper installation surface. Always check for wires, fuel tanks and lines, brake lines and other important vehicle functionality items prior to drilling and installing all products.

- At each marked location, drill hole using 25/64" drill bit and appropriate sized drill-bit stop collar. If 25/64" drill bit is not available, a 3/8" drill bit can be used, although it may be necessary to tap in the plus nuts.
- Insert 1/4" x 2-1/4" hex head bolt through plus nut installation tool, and then screw bolt into plus nut. Knurled end of plus nut tool must be directed away from bolt head and contacting plus nut.
- Insert plus nut into hole with plus nut tool attached.
- Using the 9/16" box wrench, hold the plus nut tool stationary and then tighten hex head bolt until plus nut is tightly gripping and does not spin when hex bolt is loosened.
- **DO NOT overtighten plus nut.**
- Using the 9/16" box wrench, hold the plus nut tool stationary to remove the 1/4" hex head bolt.



Step 1 – Insert Shelf into Van

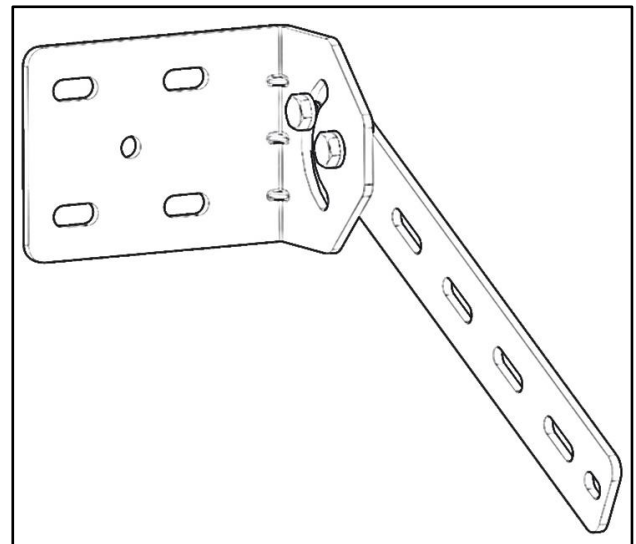
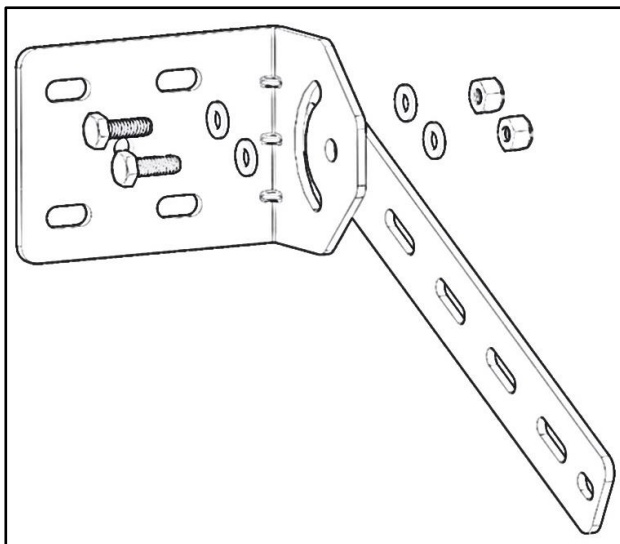
- Set shelf in vehicle in desired location. If using factory threaded bosses be sure to line mounting brackets up first. Floor spacers are provided if desired location does not have a solid platform.



Step 2 – Assemble Top Mount

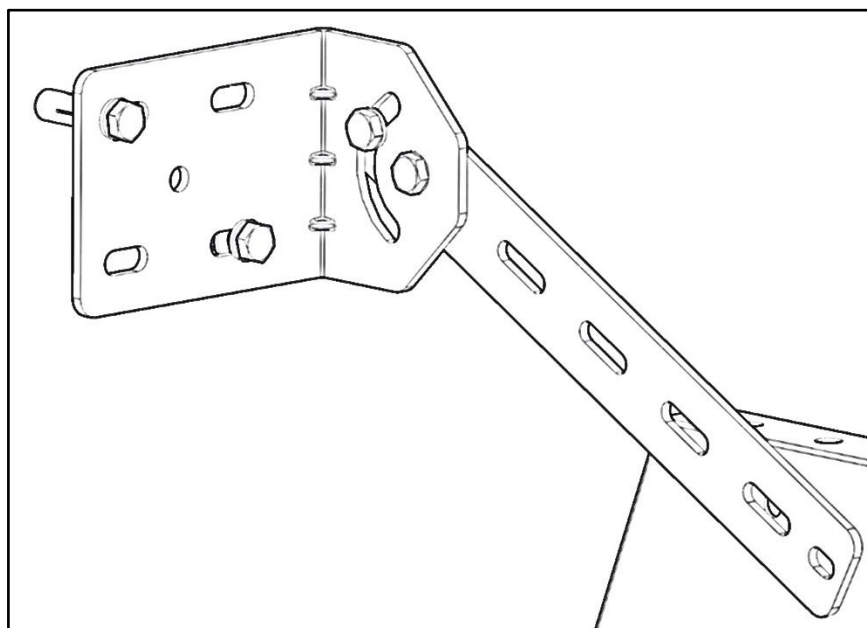
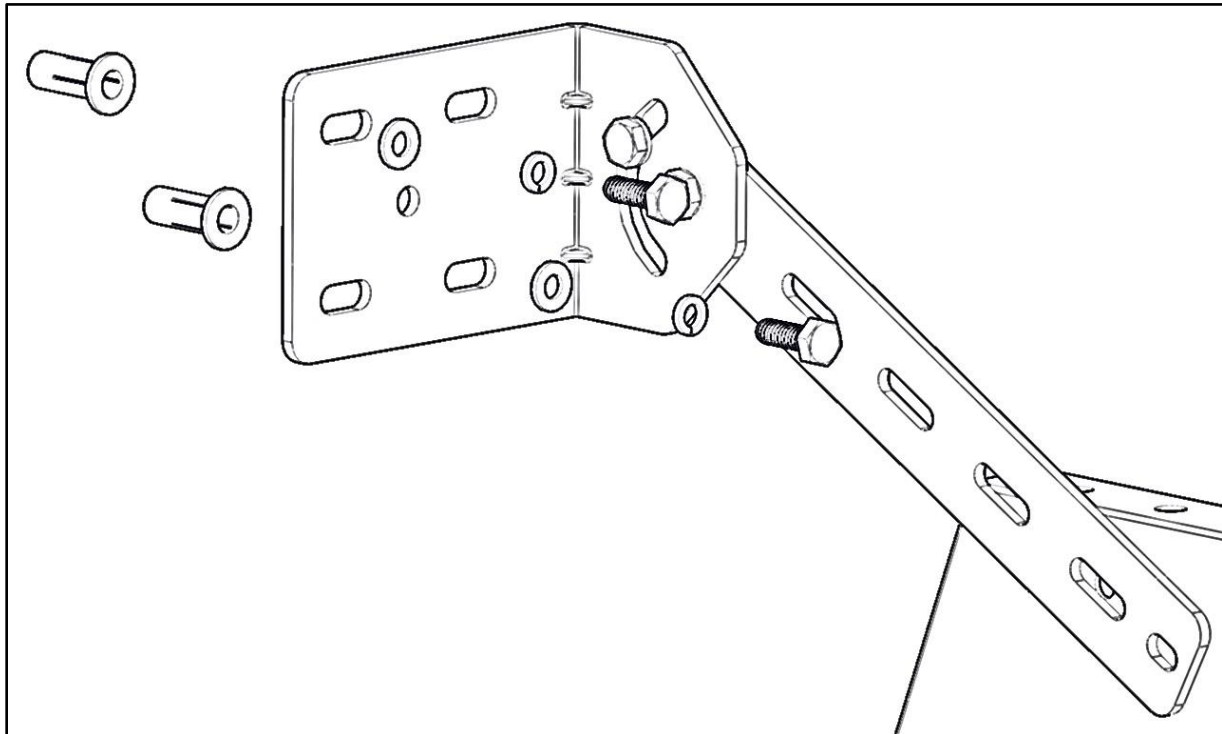
- Secure upper mount bracket and strap together using two 1/4" x 3/4" hex head bolt, four 1/4" flat washers, and two 1/4" lock nuts.
- Snug tighten, but allow movement.
- Pictures are shown using the flat strap.

In some situations, only one bolt will be able to be used.



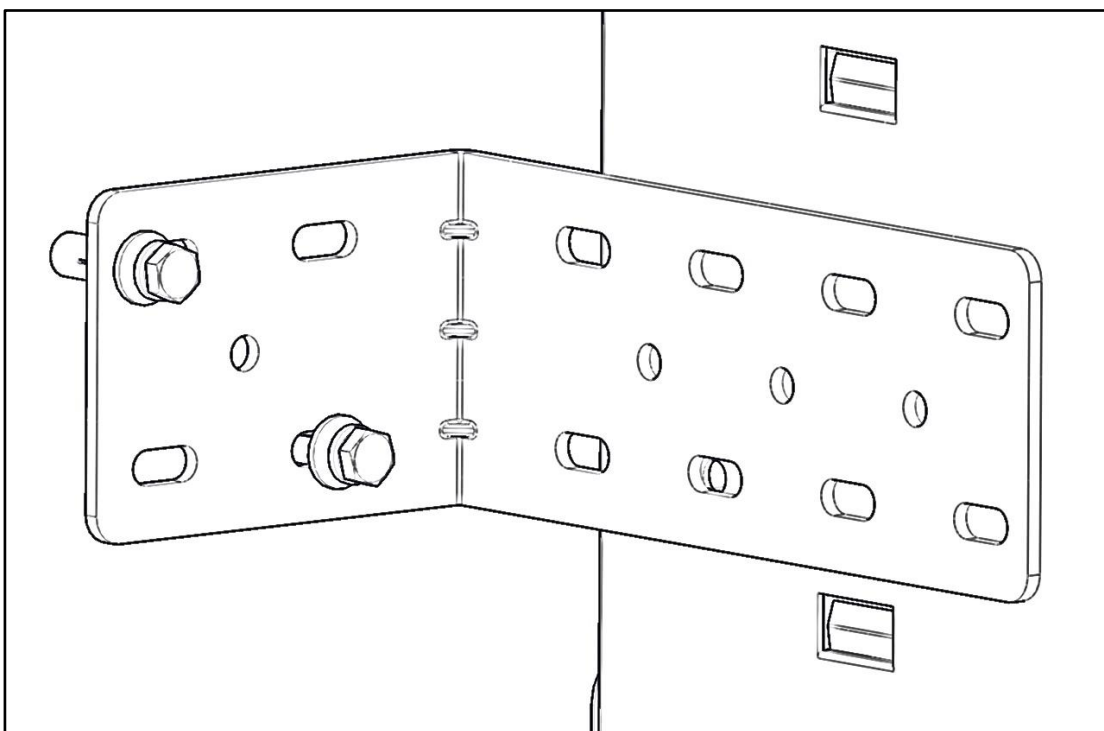
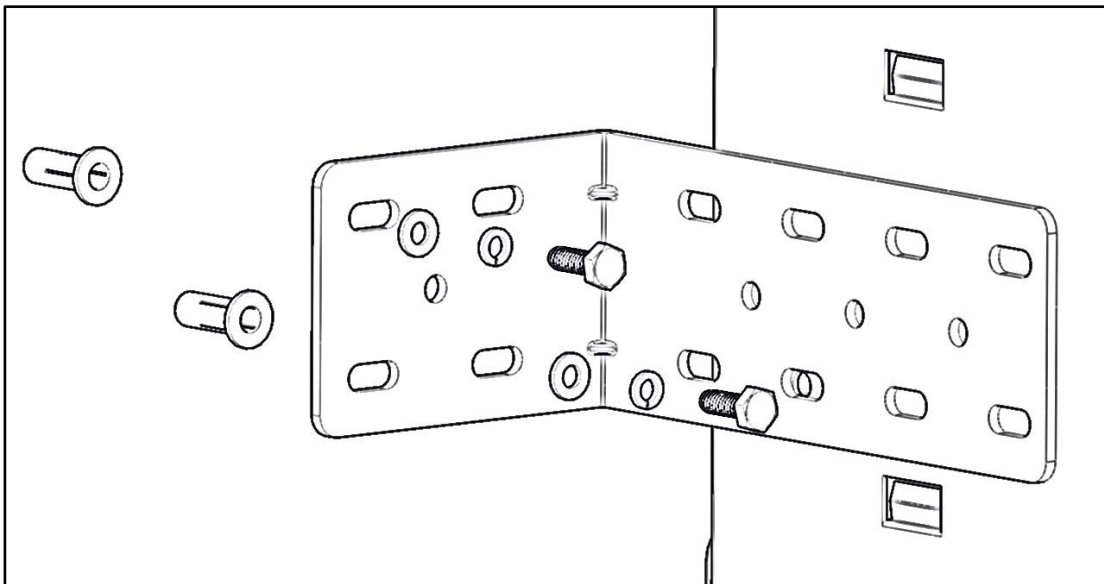
Step 3 – Install Top Mount

- Place upper mount bracket firm against a structural member of van.
- Mark location of two holes for installing plus nuts. The locations of these holes will vary based on your vans application. We recommend installing at least two plus nuts per upper mounting bracket.
- Install plus nuts per above Plus Nut Installation Instructions. **Be sure to use a drill stop as to not damage the exterior of the vehicle.**
- Use 1/4" x 3/4" hex head bolt, lock washer, and flat washer to secure into plus nut.
- Do not attach to shelf at this point.



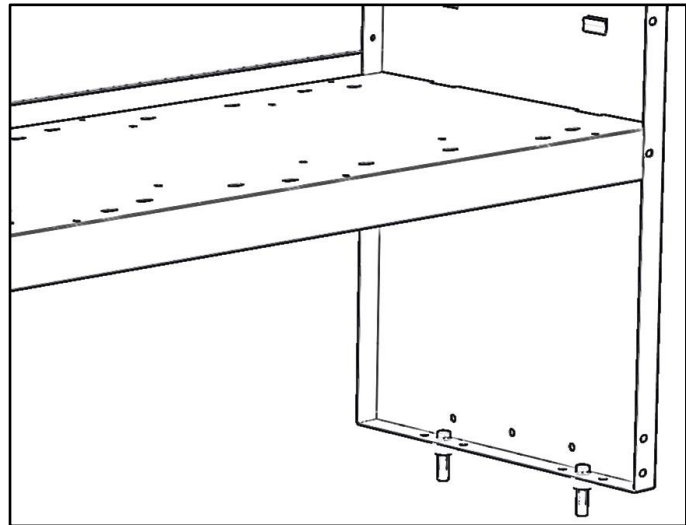
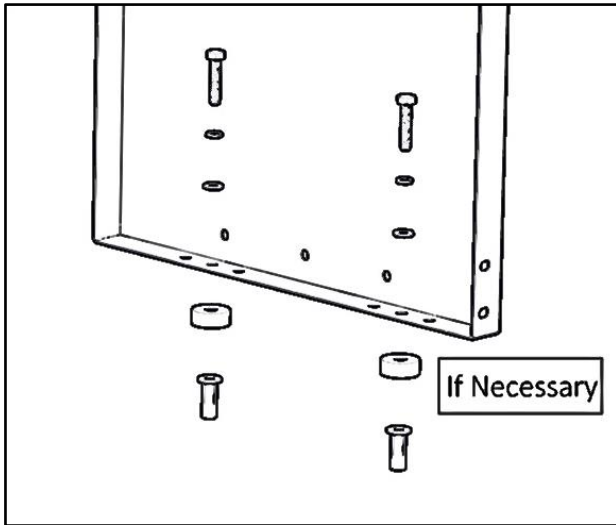
Step 4 – Install Mid Mount

- Locate a solid place on van interior to mount midway down of shelf side.
- Place mid mount bracket firmly against shelf side, trying to pick up an existing hole, and position tightly against van wall.
- Mark two locations on van wall. The locations of these holes will vary based on your vans application. We recommend installing at least two plus nuts.
- Install plus nuts per above Plus Nut Installation Instructions. **Be sure to use a drill stop as to not damage the exterior of the vehicle.**
- Use 1/4" x 3/4" hex head bolt, lock washer, and flat washer to secure into plus nut.
- We recommend attaching bracket on both sides of shelf if possible.



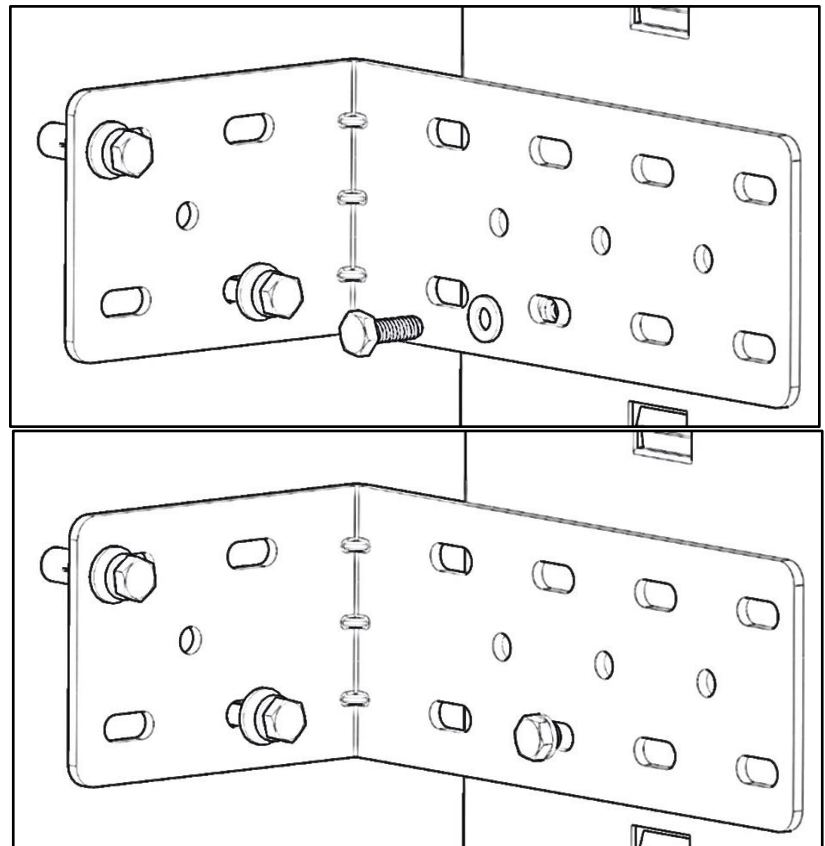
Step 5 – Mount to Floor

- Mark on floor where the bottom of the shelf mounts best.
- Repeat front and rear.
- Remove shelf.
- Install plus nuts per above Plus Nut Installation Instructions.
- Place shelf over previously installed plus nuts, and bolt into floor using a 1/4" x 1-1/4" hex head bolt, a 1/4" lock washer and a 1/4" flat washer. If needed put 3/8" spacer between shelf and floor.
- **ENSURE SAFETY WHEN DRILLING.**



Step 6 – Mount to Shelf

- Attach brackets to shelf. Bolt both the strap and mid mount bracket to the side of the shelf. Bolt using a 1/4" x 3/4" hex head bolt, two flat washers, and a lock nut.
- You may need to drill additional holes in side of shelf to accommodate all the different van applications.
- Repeat on both sides of shelf.



Ensure all bolts are TIGHT.

Your installation is now complete.