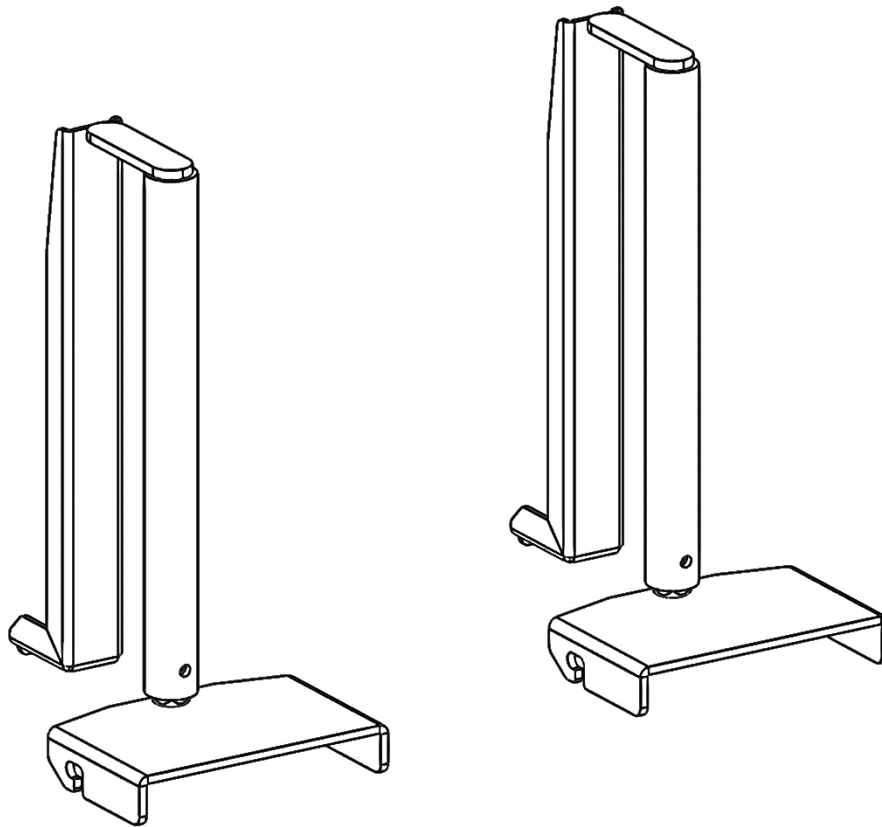


# Holman

---

## Installation Guide 4A814

---



---

Holman  
Rancho Cordova, CA 95742  
800-343-7486  
[InstallationSupport@Holman.com](mailto:InstallationSupport@Holman.com)

---

---

**PLEASE READ ALL INSTRUCTIONS AND WARNINGS PRIOR TO ASSEMBLING, INSTALLING, AND USING THIS PRODUCT.**

---

**Warning**



**DO NOT EXCEED MANUFACTURERS WEIGHT CAPACITY FOR ROOF.**

---

**Table of Contents**

Tools Needed ..... 1

Before You Begin ..... 1

Parts List..... 2

Step 1 – Remove Existing Ladder Hooks and Ladder Stops ..... 2

Step 2 – Install Extended Ladder Stops ..... 3

Step 3 – Install Extended Ladder Hooks ..... 3

---

**Tools Needed**

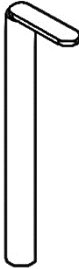

7/16", 9/16" Socket and Wrench	9/16" Box Wrench
--------------------------------	------------------

---

**Before You Begin**

- Read all instructions prior to assembling or installing any Holman product.
- **Always locate your installation locations prior to performing any work.**
- **Extended ladder hooks must be installed on the inner mounting location to avoid issues with drop down actuation.**

## Parts List

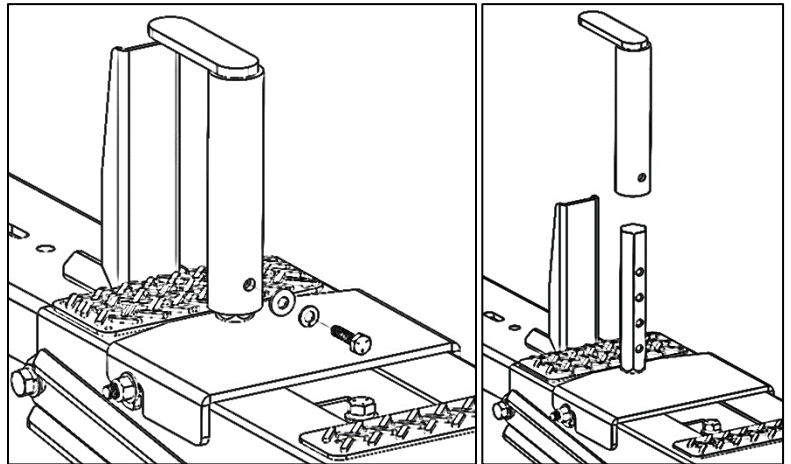
NO.	ITEM	PART NUMBER	DESCRIPTION	QTY.
1		4A900-35-TALL	LADDER HOOK	2
2		100928	LADDER STOP	2

**DO NOT EXCEED MANUFACTURERS WEIGHT CAPACITY FOR ROOF.**

### Step 1 – Remove Existing Ladder Hooks and Ladder Stops

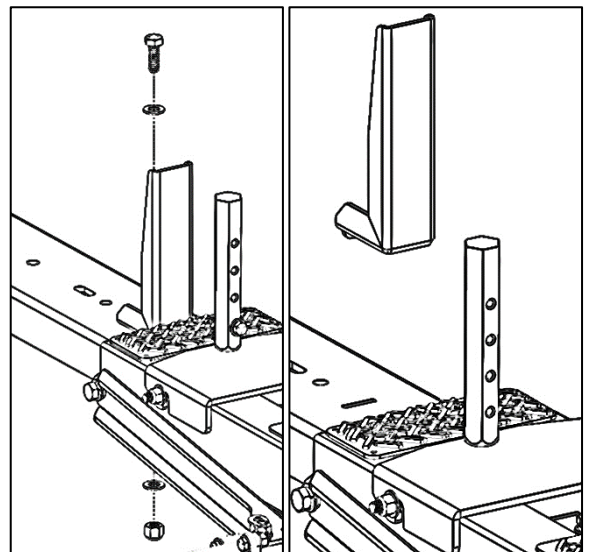
**NOTE:** If you have not installed the ladder hooks yet this step can be skipped.

- Remove the 1/4"-20 x 1" hex head bolt, 1/4" lock washer, and 1/4" washer and remove the ladder hook.



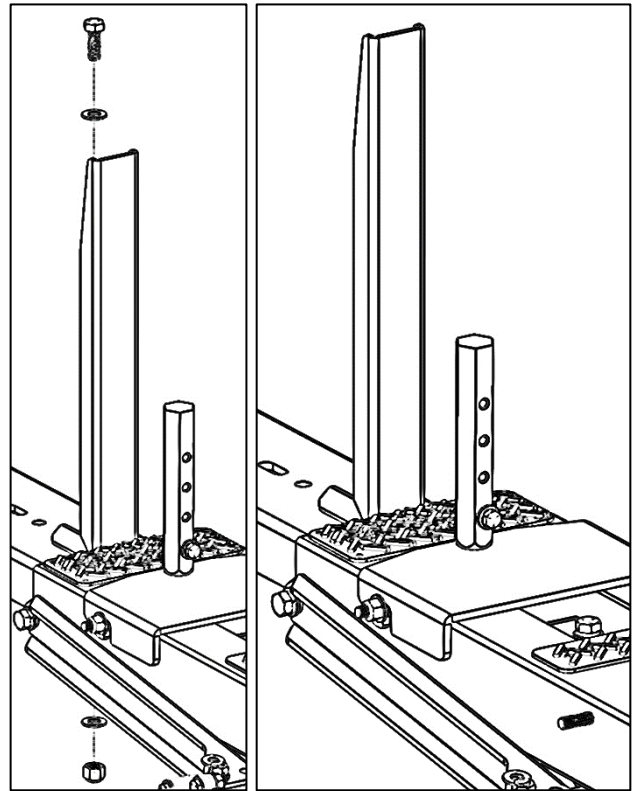
- Remove the 3/8"-16 x 1" hex head bolt, two 3/8" washers, and the 3/8"-16 lock nut and remove the ladder hook.

**NOTE:** Depending on the rack this hardware may differ.



## Step 2 – Install Extended Ladder Stops

- Using the ladder stop hardware removed in step 1, bolt ladder hook to the cross bar.

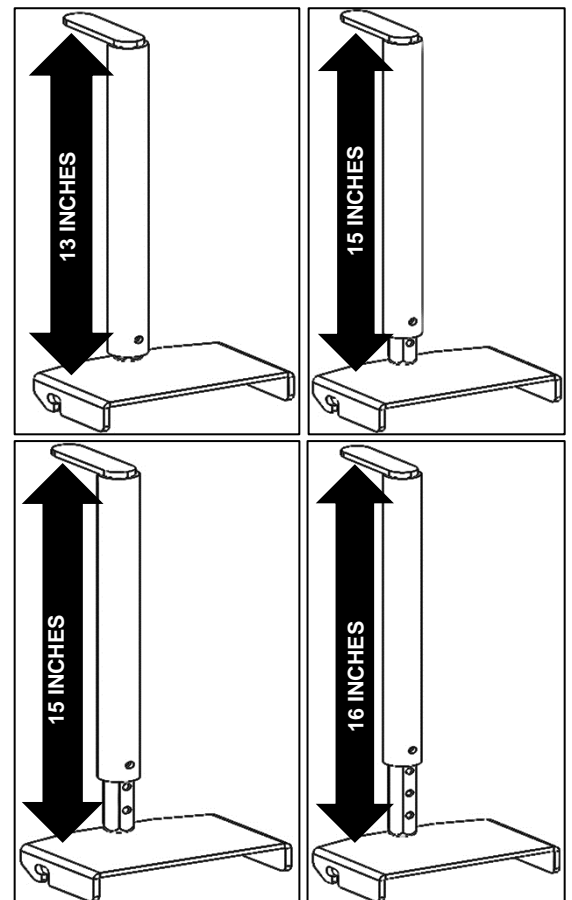


## Step 3 – Install Extended Ladder Hooks

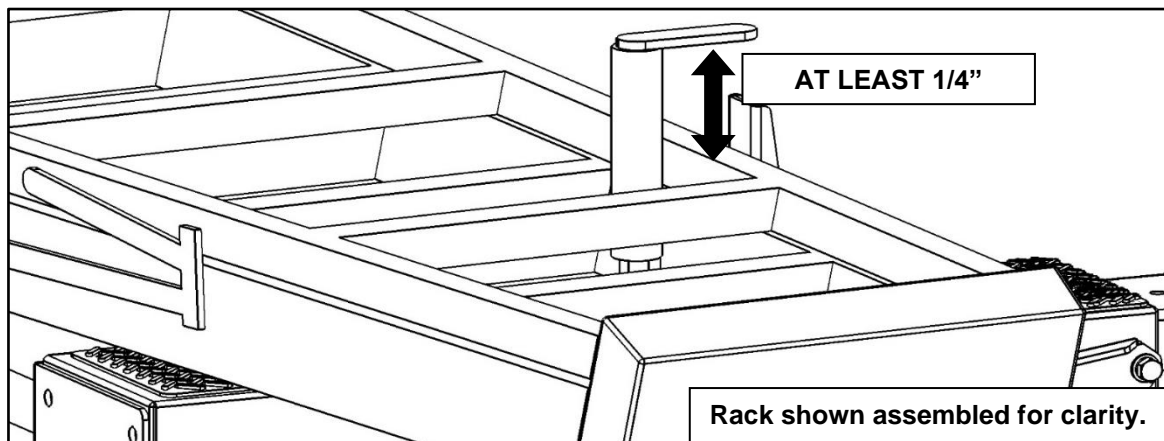
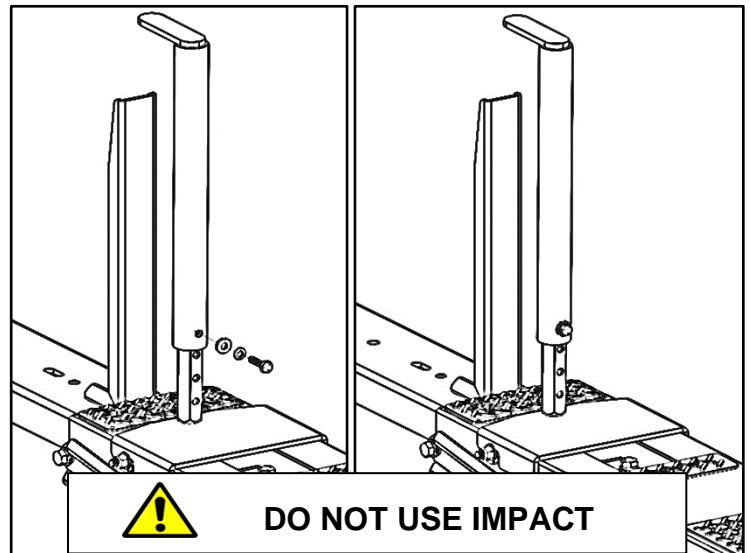
**Note:** Before use the ladder hook must be adjusted to an appropriate height for the ladder that will be used. The height of the hook needs to be at least 1/4" greater than the ladder. The ladder should fit loosely on the hook, not snug.

- Measure the thickness of the ladder that will be used and determine the appropriate mounting hole on the ladder hook weldment that will allow for a loose fit.
- Be sure the height of the hook is AT LEAST 1/4" GREATER THAN the thickness of your ladders.**
- If you are unsure of the thickness of the ladder that will be used, set the height of the hook to the highest setting (16 inches) and adjust it later.

**NOTE:** Roof height clearance is affected by the hook mounting location used. Please verify and be aware of the total height of the vehicle with rack installed.



- Using the 1/4" x 1" hex head, a 1/4" lock washer and a 1/4" flat washer removed in step 1, bolt ladder hook assembly to ladder hook weldment.
- Tighten.



**GO BACK AND TIGHTEN ALL HARDWARE.**

**INSTALLATION IS COMPLETE.**

