

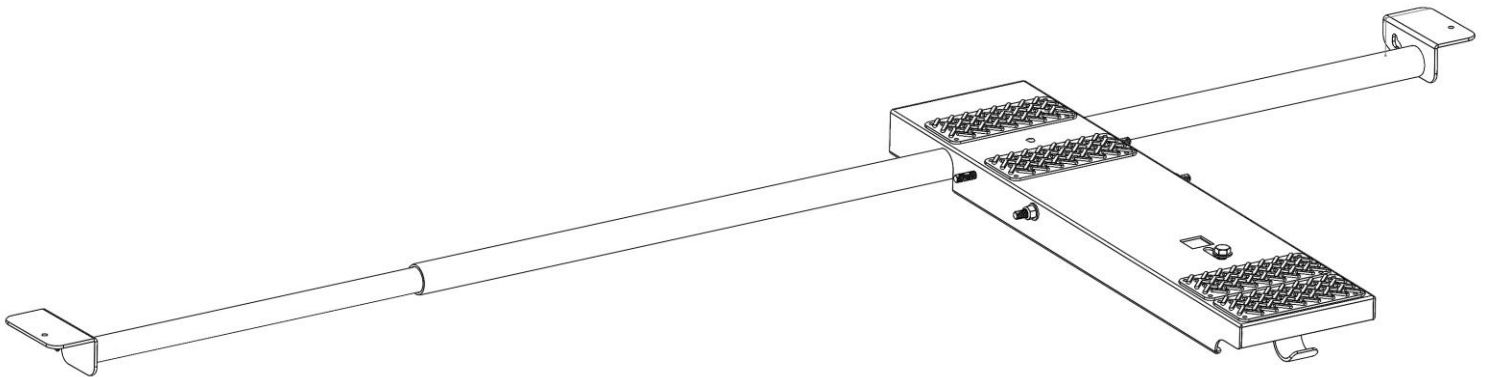
# Holman

---

## Instruction Guide

### 4A816

---



---

Holman  
Rancho Cordova, CA 95742  
800-343-7486  
InstallationSupport@Holman.com

---

**PLEASE READ ALL INSTRUCTIONS AND WARNINGS PRIOR TO ASSEMBLING, INSTALLING, AND USING THIS PRODUCT.**

---

**Warning**



Always check for wires, fuel tanks and lines, brake lines and other important vehicle functionality items prior to drilling and installing all products.

---

**Tools Needed**

1/2" Socket and Wrench	9/16" Socket and Wrench
------------------------	-------------------------

---

**Table of Contents**

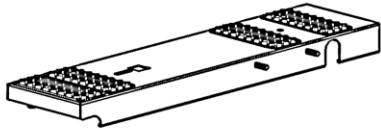
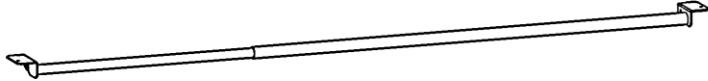


Step 1 – Remove Front Bow Ladder Hook and Stop .....	4
Step 2 – Remove Rear Bow Ladder Hook Hardware .....	5
Step 3 – Install Upper Support Tube Assembly .....	5
Step 4 – Install Extension Pan .....	7
Step 5A – Install Ladder Hook .....	8
Step 5B – Install Ladder Hook onto Alternate Position (Optional) .....	9
Step 6 – Install Ladder Stop .....	10

---

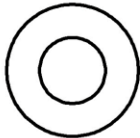


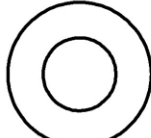

**Before You Begin**

- Read all instructions.
- **DO NOT EXCEED MANUFACTURERS WEIGHT CAPACITY FOR ROOF.**
- **BE SURE TO ADJUST LADDER CLAMPS ACCORDINGLY TO FIRMLY SECURE LADDER TO RACK.**

## Parts

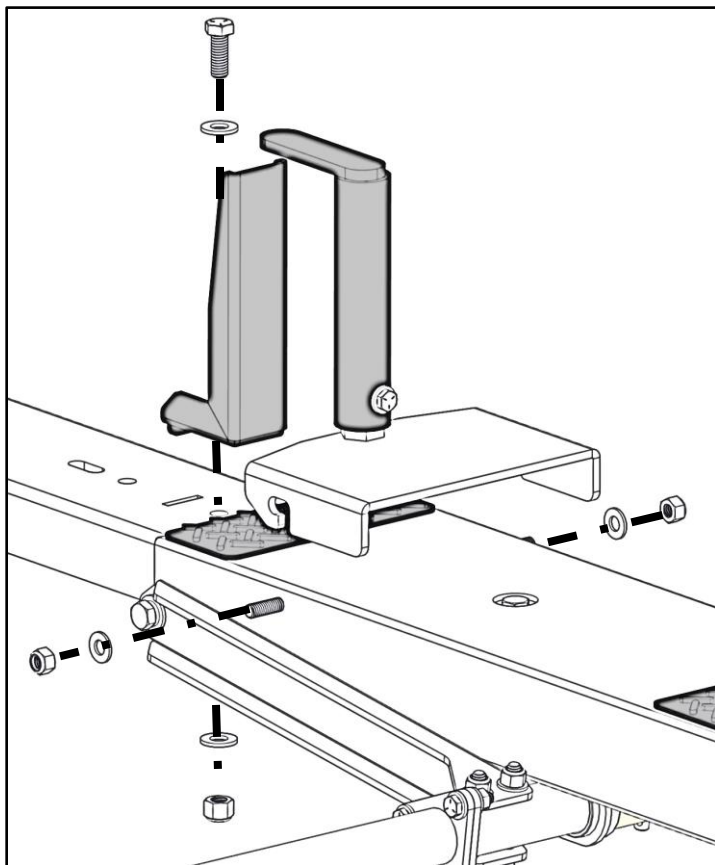
NO.	ITEM	PART NUMBER	DESCRIPTION	QTY.
1		4A816-11	LADDER PAN, 6FT KIT	1
2		4A816-12	UPPER SUPPORT TUBE	1
3		4A816-00-005	LARGE CLAMP	1
4		4A816-00-006	SMALL CLAMP	1
5		18-4A816	HARDWARE KIT	1

## Hardware

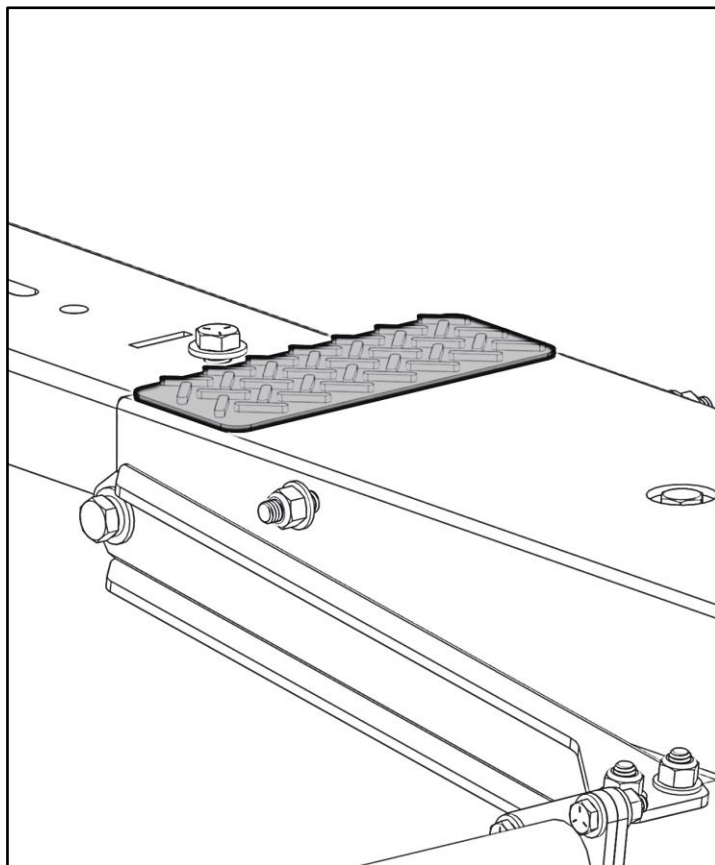
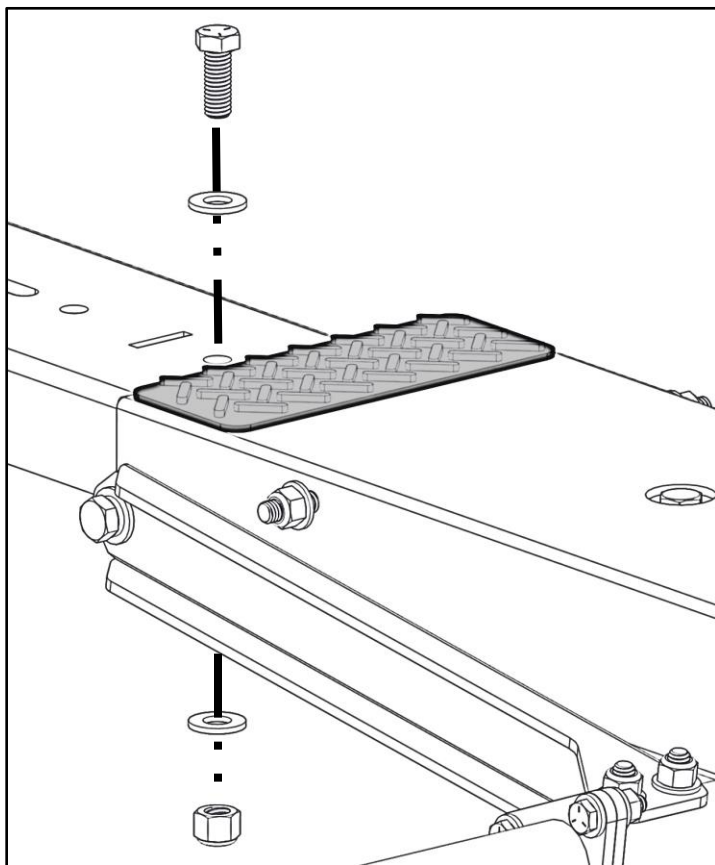
ITEM NO.	TO SCALE	PART NUMBER	DESCRIPTION	QTY.
1		90126A030	5/16" FLAT WASHER	4
2		95615A160	5/16"-18 NYLOC NUT	4
3		92865A624	3/8"-16 x 1" HEX HEAD	1
4		98023A031	3/8" FLAT WASHER	2
5		97135A230	3/8"-16 NYLOC NUT	1

## Step 1 – Remove Front Bow Ladder Hook and Stop

- Remove the ladder hook from the front bow.
- Keep hardware for future use.
- Remove the ladder stop from the front bow.

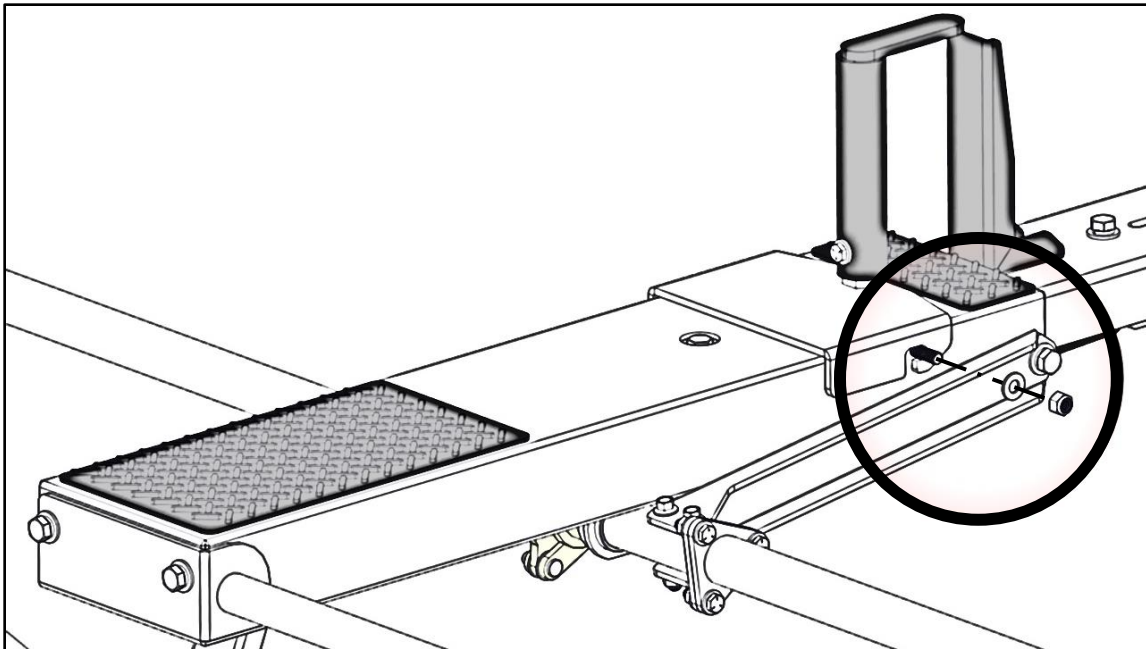


- Where the ladder stop is removed, replace hardware and tighten.



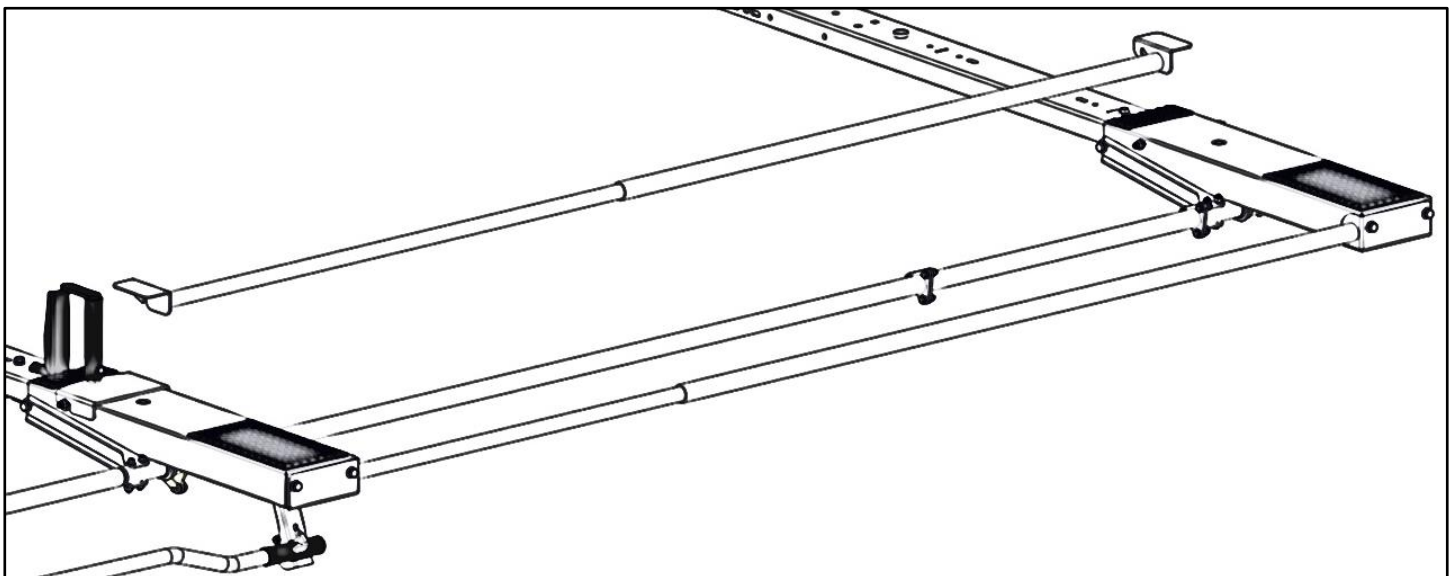
## **Step 2 – Remove Rear Bow Ladder Hook Hardware**

- Remove the ladder hook hardware (washer and nut) from the **front** side of the rear bow only.
- Keep hardware for future use.

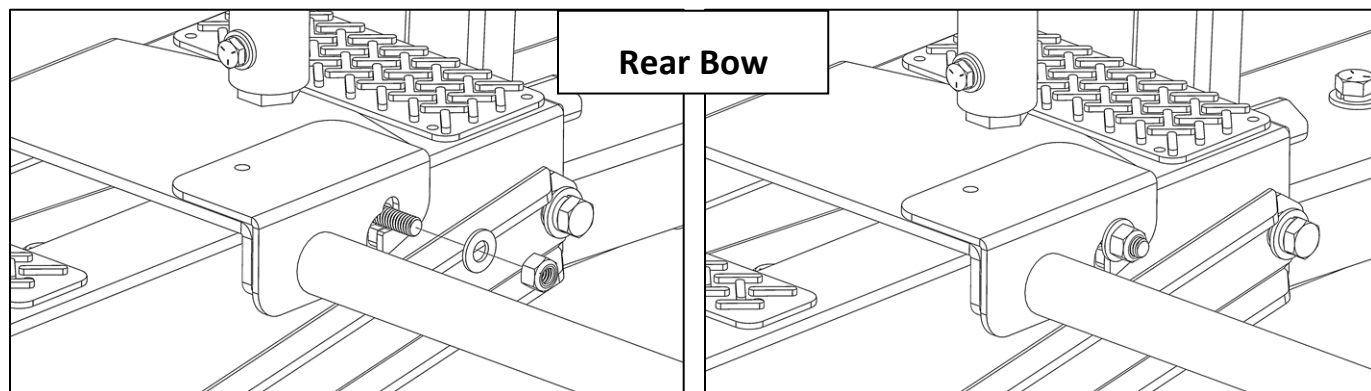
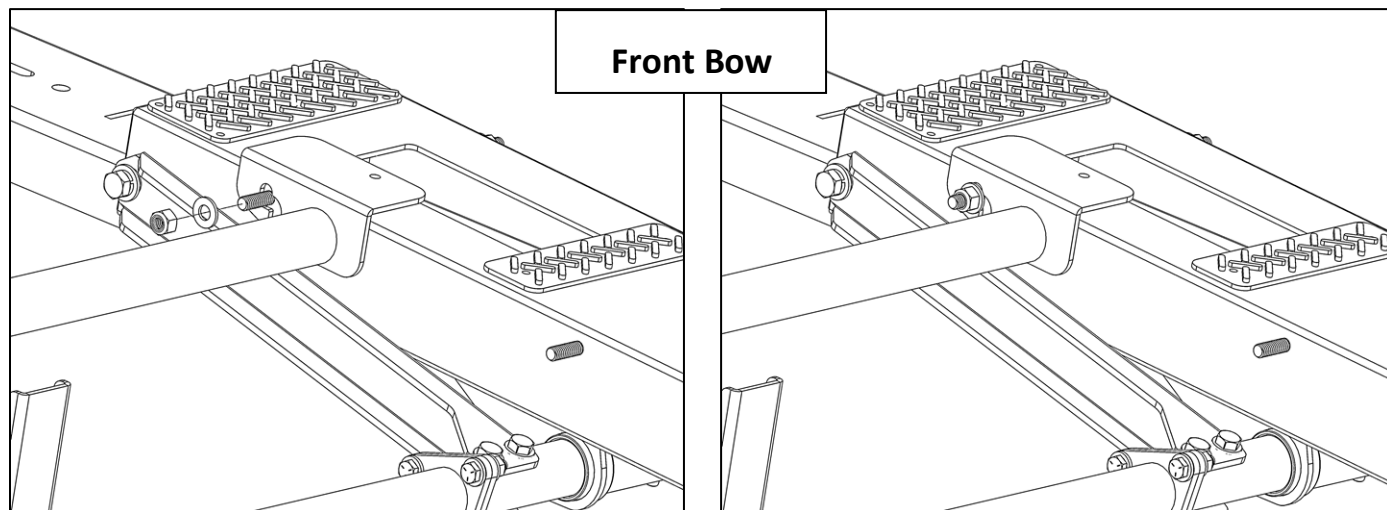
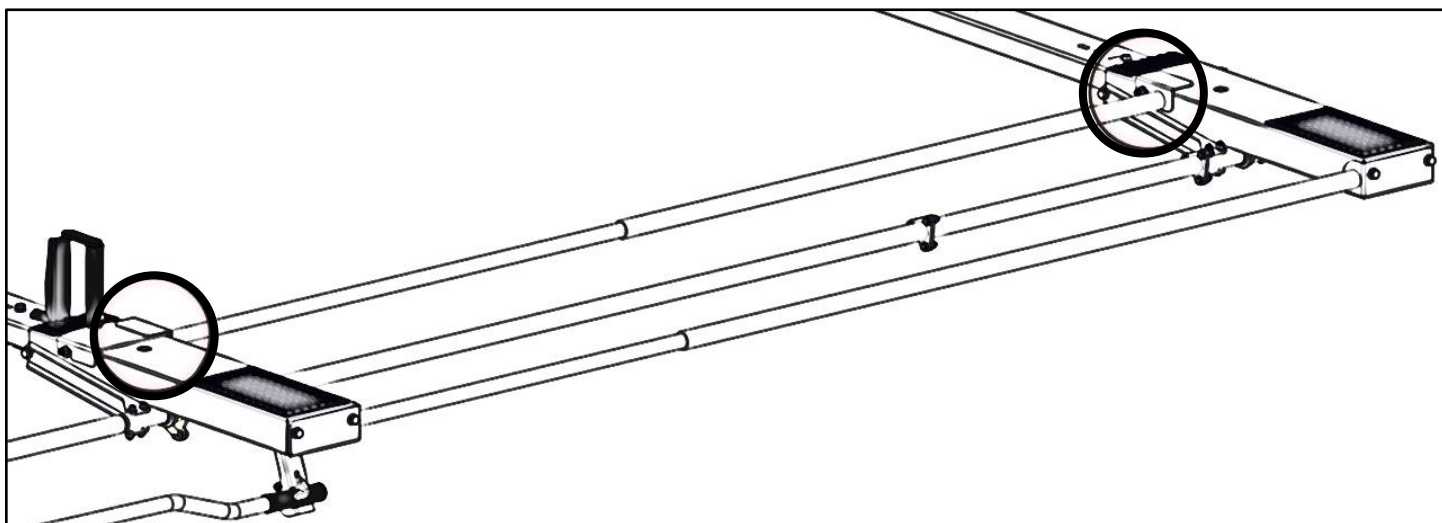


## **Step 3 – Install Upper Support Tube Assembly**

- Place upper support tube assembly where hardware was removed in the previous steps. The upper support tube assembly will sit on the exposed threaded studs.

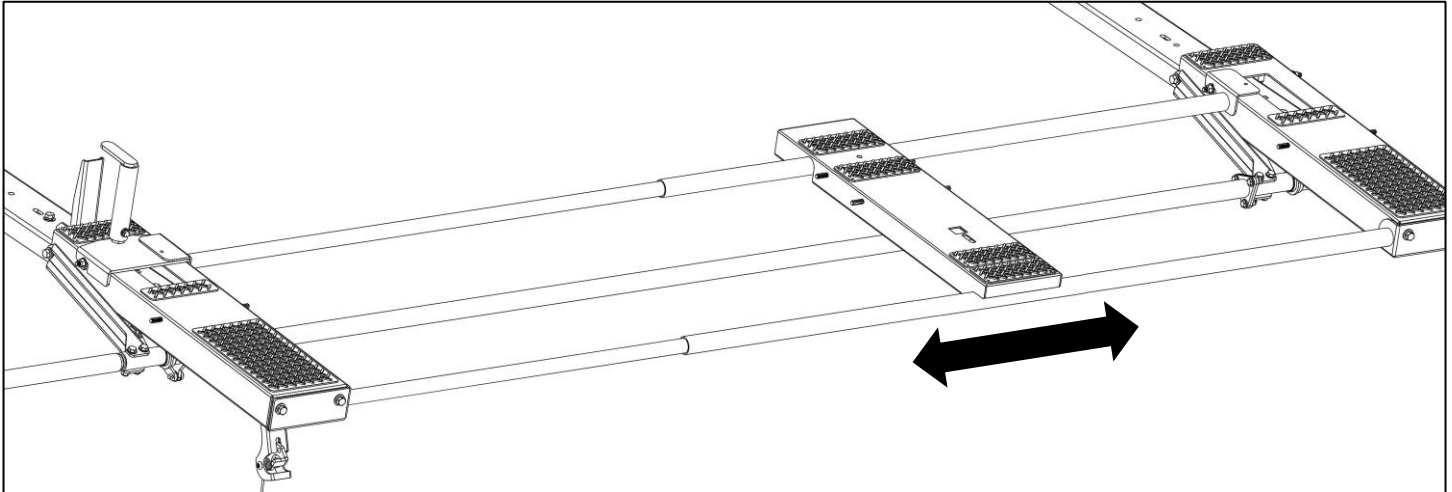


- At the rear bow, the upper support tube assembly will sit on top of the ladder hook.
- Attach the upper support tube assembly using a 5/16" flat washer and a 5/16" lock nut at both locations.



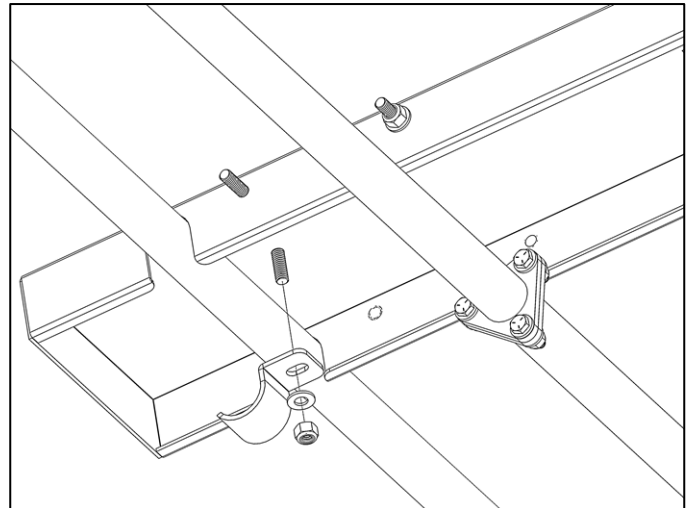
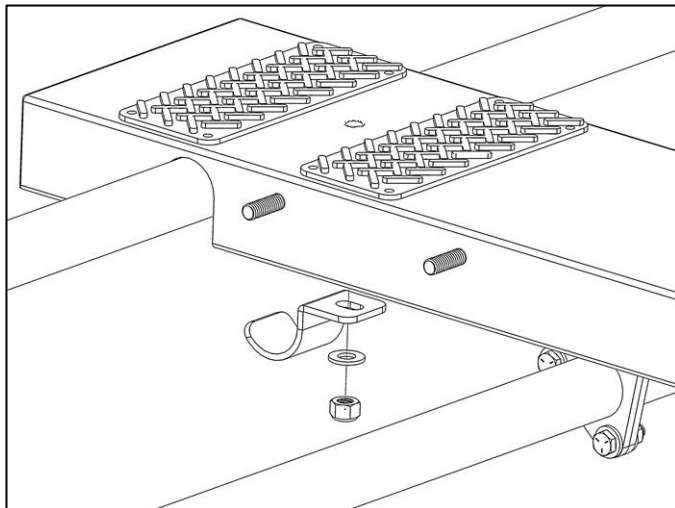
## **Step 4 – Install Extension Pan**

- Determine the correct location for the extension pan based on the size of the ladder.
- Place the extension pan in the orientation shown and in the desired location on top of the already installed end tube and the upper support tube assembly.

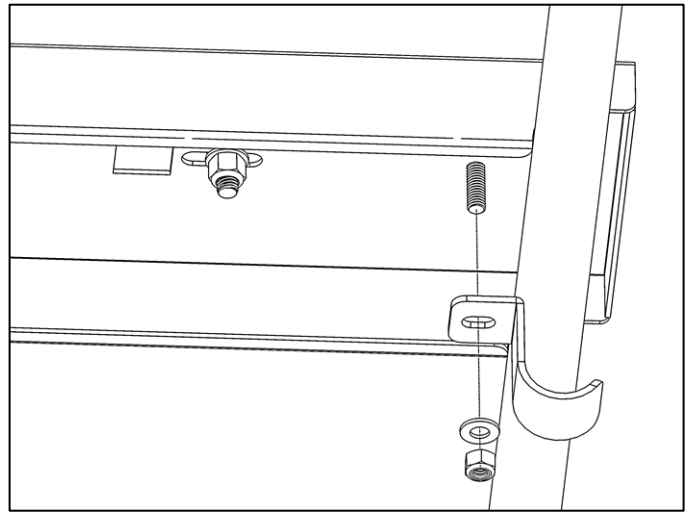
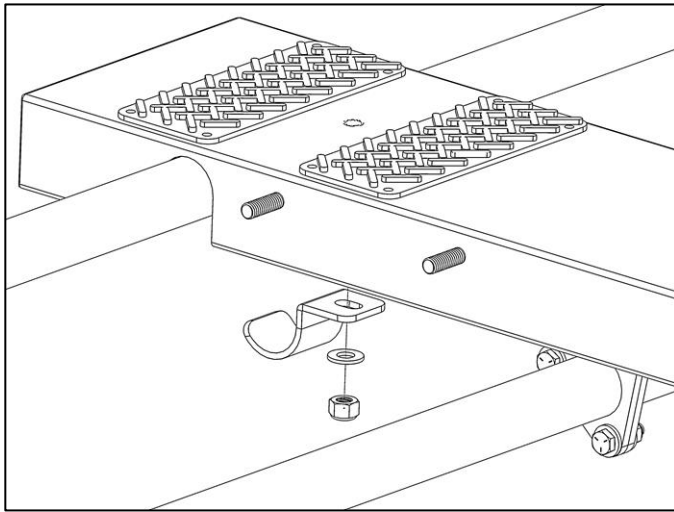


**DO NOT USE AN IMPACT WRENCH TO TIGHTEN THE FOLLOWING BRACKETS**

- Use the small clamp to attach the extension pan to the upper support tube assembly. Bolt into place using the pre-installed threaded stud, a 5/16" flat washer and a 5/16" lock nut.
- **DO NOT OVER TIGHTEN. USE A RATCHET OR WRENCH TO HAND TIGHTEN.**



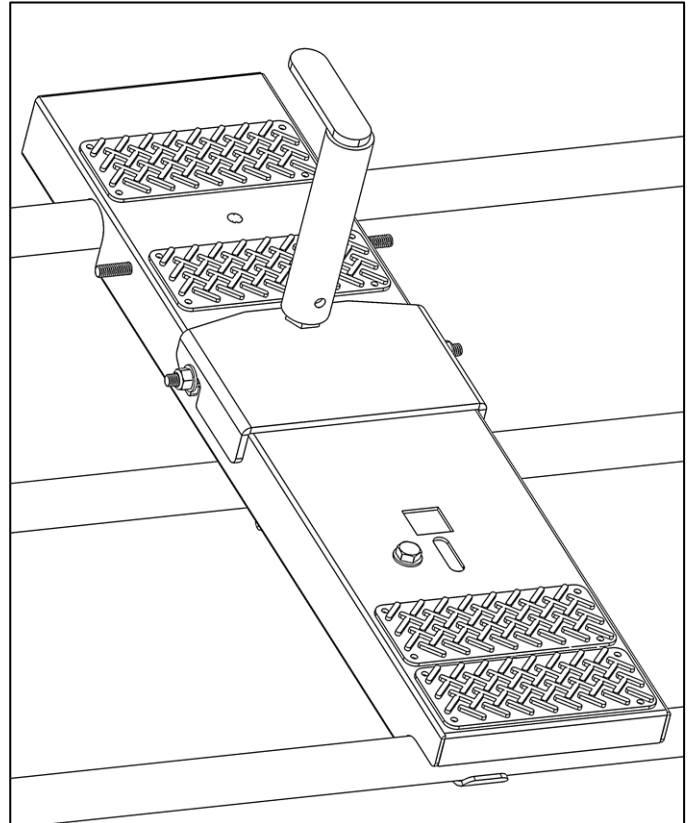
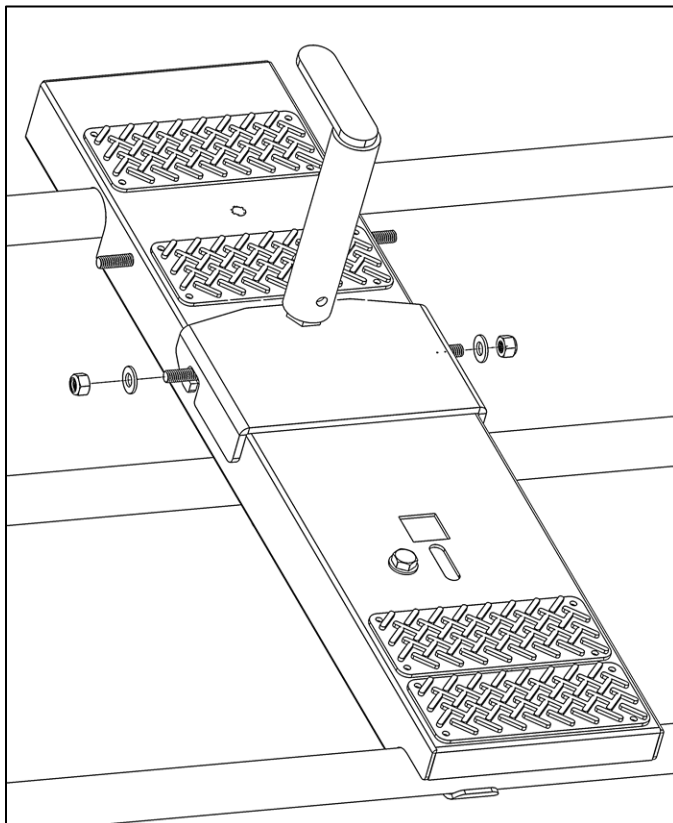
- Use the large clamp to attach the extension pan to the end tube. Bolt into place using the pre-installed threaded stud, a 5/16" flat washer and a 5/16" lock nut.
- **DO NOT OVER TIGHTEN. USE A RATCHET OR WRENCH TO HAND TIGHTEN ONLY.**



## Step 5A – Install Ladder Hook

**Note: If using the extension for a wider ladder or the wide end of a stepladder, skip to the next step. This step is for when using an extension ladder or front end of stepladder.**

- Place the ladder hook removed in Step 1 on top of the threaded studs on the extension pan as shown.
- Attach using two 5/16" flat washers and two 5/16" lock nuts.

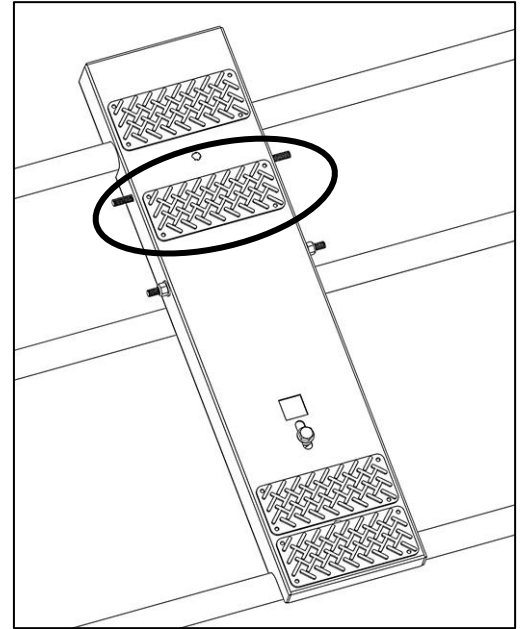
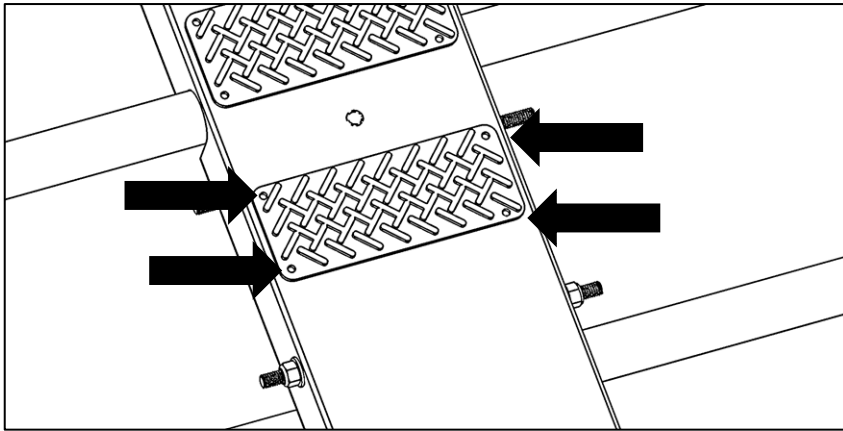




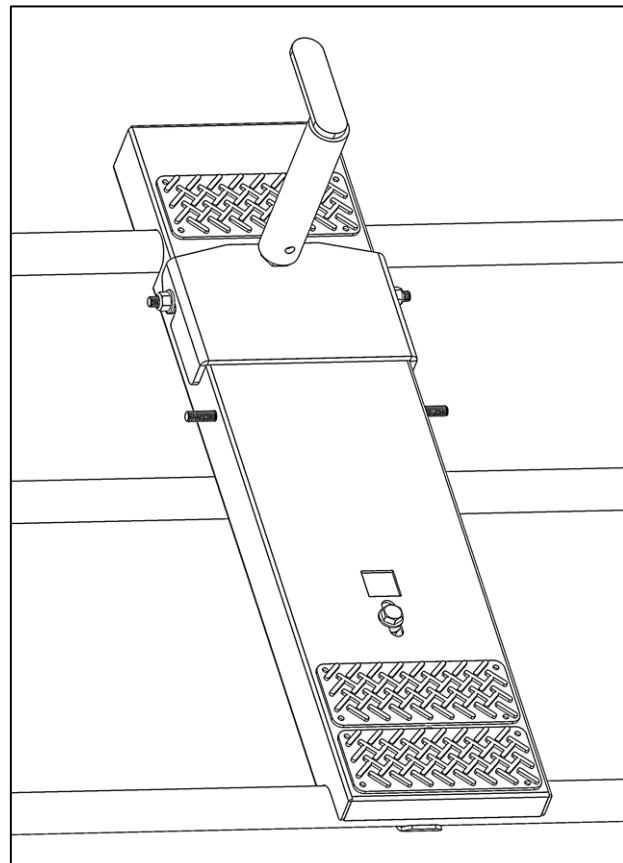
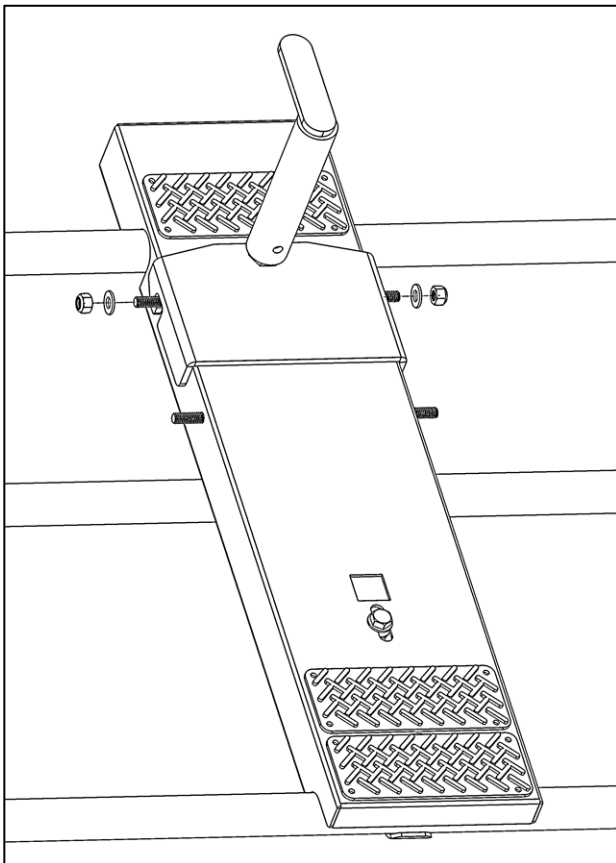
## Step 5B – Install Ladder Hook onto Alternate Position (Optional)

**Note:** Follow the instructions in this step to install the ladder hook onto the alternate location, when using a wider ladder or the wide end of a stepladder.

- Drill out rivets from plastic pad located between the studs.
- Remove pad.

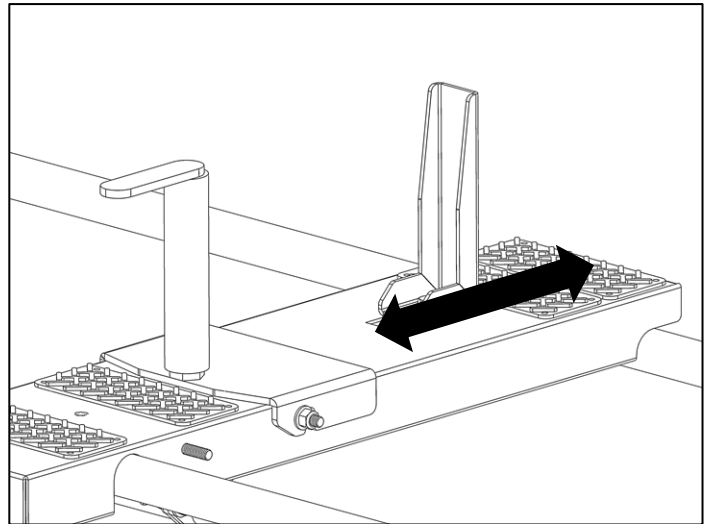
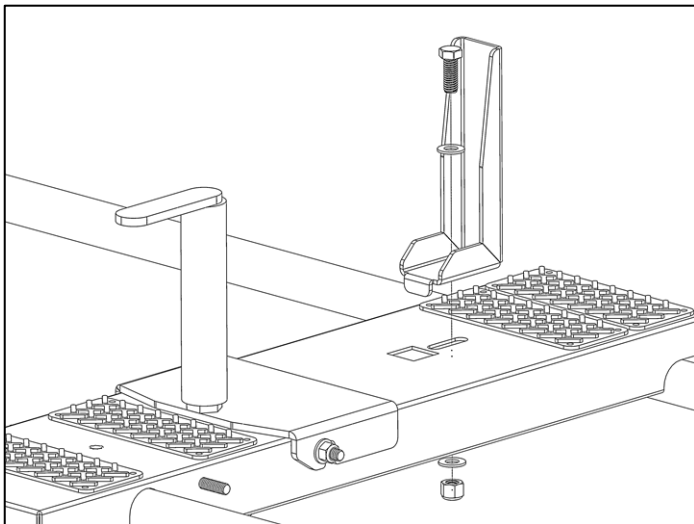


- Place the ladder hook removed in Step 1 on top of the threaded studs on the extension pan as shown.
- Attach using two 5/16" flat washers and two 5/16" lock nuts.



## Step 6 – Install Ladder Stop

- Place the previously removed ladder stop over the slot towards the end of the pan.
- Line up the flange of the ladder stop inside the square cut out on the pan.
- Bolt through the slot in the pan as shown using 3/8" x 1" hex head bolt, two 3/8" flat washers and a 3/8" lock nut. **DO NOT TIGHTEN until adjustments are complete.**
- Adjust the ladders stop to fit ladder to be used. The ladder stop **must be** adjusted to fit the ladder prior to transporting ladder.



**ENSURE ALL HARDWARE IS TIGHT.**

**YOUR INSTALLATION IS NOW COMPLETE.**

