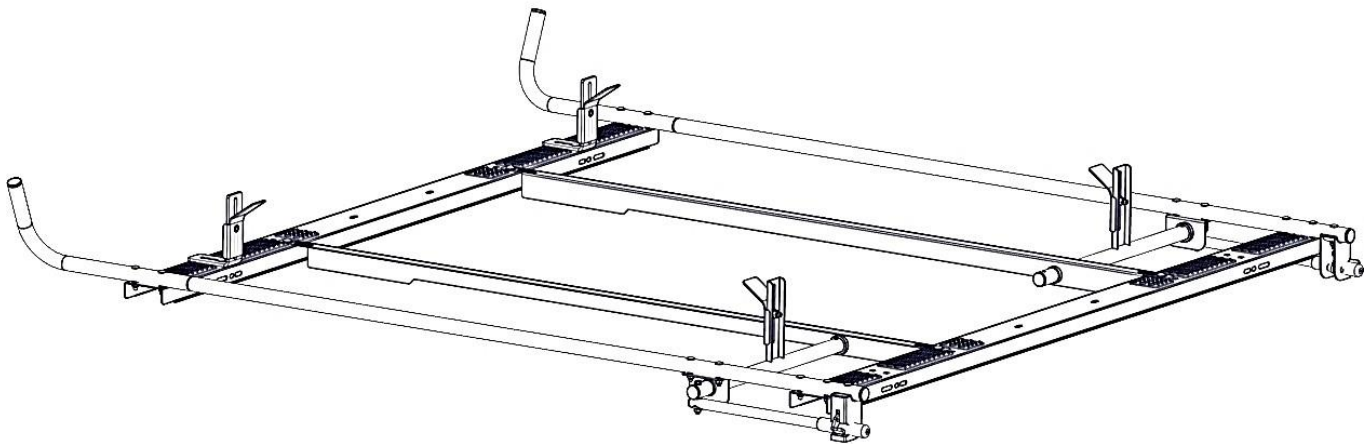


# Holman

---

## Instruction Guide 4A81L

---



---

Holman  
Rancho Cordova, CA 95742  
800-343-7486  
InstallationSupport@Holman.com

---

---

## PLEASE READ ALL INSTRUCTIONS AND WARNINGS PRIOR TO ASSEMBLING, INSTALLING, AND USING THIS PRODUCT.

---

### Warning



Always check for wires, fuel tanks and lines, brake lines and other important vehicle functionality items prior to drilling and installing all products.



**DO NOT EXCEED MANUFACTURERS WEIGHT CAPACITY FOR ROOF.**



Secure all payloads properly for safe transportation.

---

### Table of Contents

|  |   |
|--|---|
| Before You Begin .....                         | 1 |
| Parts List .....                               | 2 |
| Hardware .....                                 | 3 |
| Step 1 – Remove End Stops .....                | 4 |
| Step 2 – Install Side Tube .....               | 4 |
| Step 3 – Install Hanger Bracket.....           | 5 |
| Step 4 – Attach Clamp Tube and L-Bracket ..... | 6 |
| Step 5 – Mount Handle .....                    | 7 |
| Step 6 – Mount Latch Assembly .....            | 7 |
| Step 7 – Mount Ladder Hook.....                | 8 |

---

### Tools Needed


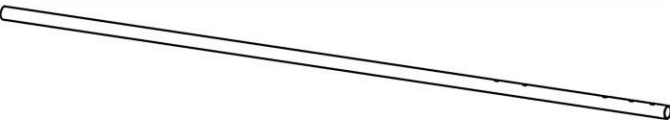
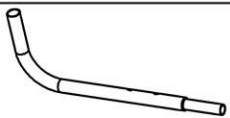
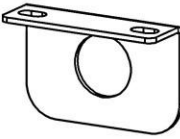
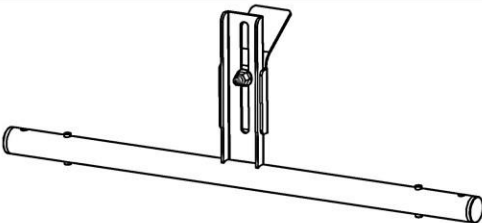
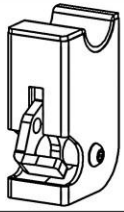

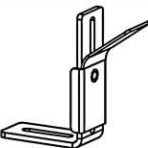
|                         |                        |
|-------------------------|------------------------|
| 9/16" Socket and Wrench | 1/2" Socket and Wrench |
|-------------------------|------------------------|

---

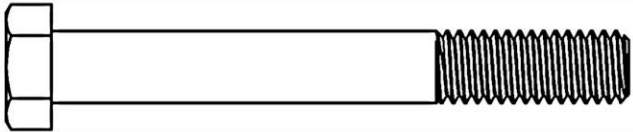
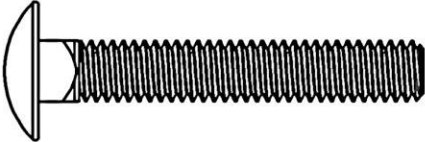
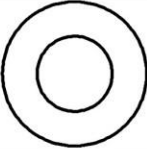
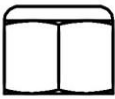
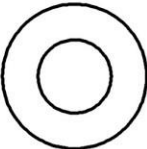
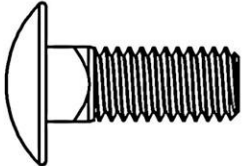
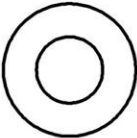


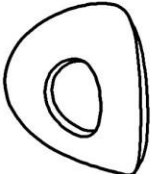
### Before You Begin

- Read all instructions prior to assembling or installing any Holman product.
  - **Always locate your installation locations prior to performing any work.**
  - **Most times, it is easier to install on top of roof, after the mount kit has been installed.**
  - **Be sure to put sealant around all threads entering cargo area and between the rubber spacer and roof of vehicle to prevent water from leaking into cargo area.**
  - **Be sure to adjust ladder clamps accordingly to secure ladder firmly to rack. To adjust, refer to Clamp and Lock adjustment guide.**
-

## Parts List

| ITEM |   | PART NUMBER    | DESCRIPTION             | QTY |
|------|---|----------------|-------------------------|-----|
| A    |    | 4A800-00-003-L | Long Angle Bracket - DS | 1   |
| B    |    | 4A800-51       | Tube                    | 1   |
| C    |    | 4A800-52-L     | J-Tube                  | 1   |
| D    |    | 11-03027-A     | Angle Bracket           | 1   |
| E    |   | 4A800-30       | Pivot Ladder Clamp ASM  | 1   |
| F    |  | 4A800-20       | Handle Clamp ASM        | 1   |
| G    |  | 4A800-40       | Handle                  | 1   |
| H    |  | 4A800-60       | Ladder Clamp ASM        | 1   |
|      |   | 18-4A81L       | Hardware                | 1   |

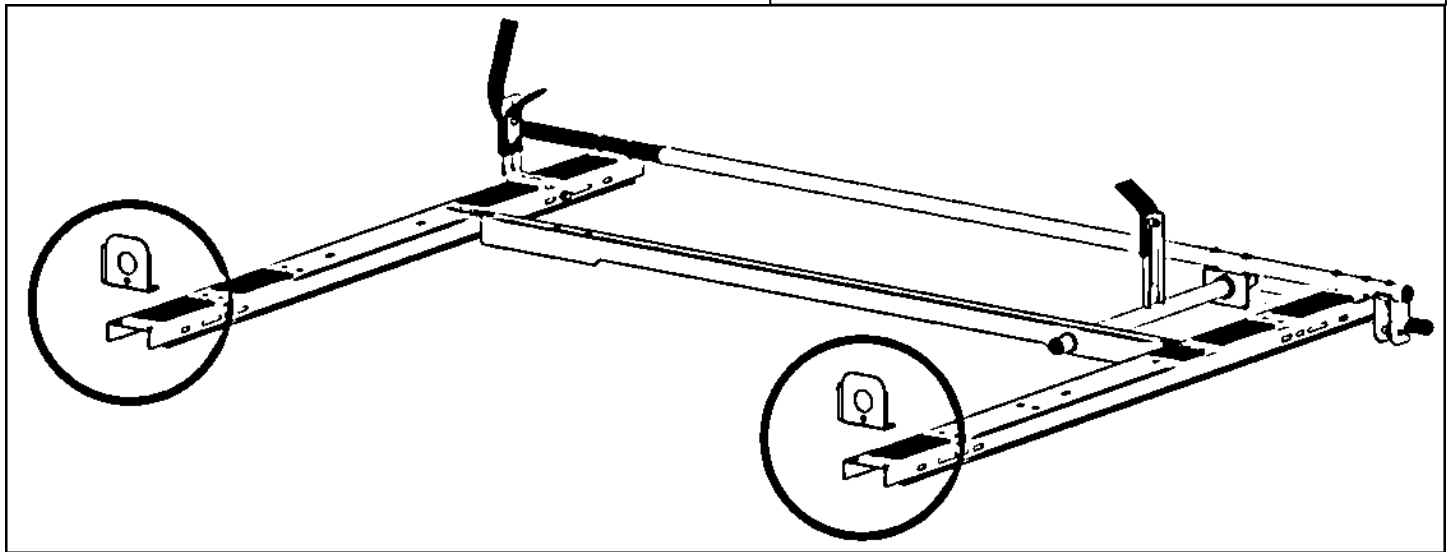
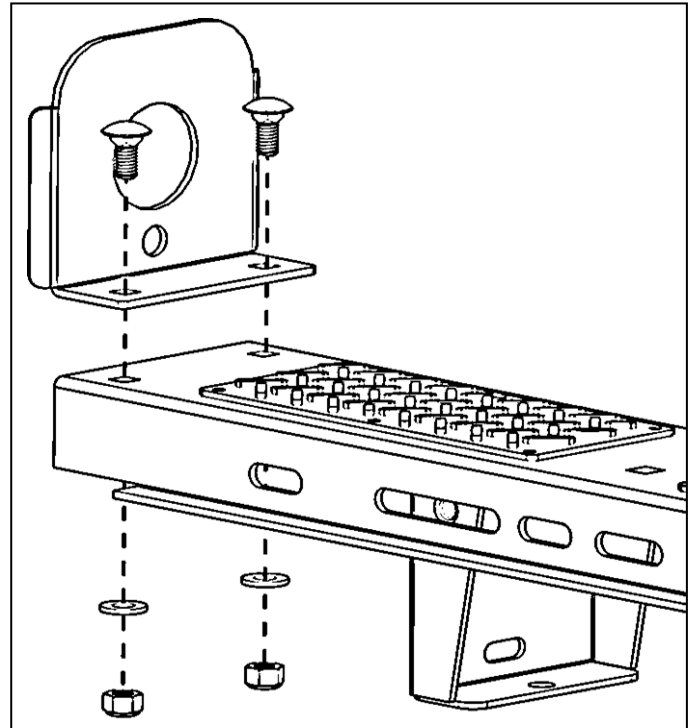
## Hardware

| ITEM | TO SCALE  | PART NUMBER  | DESCRIPTION                | QTY. |
|------|---|--------------|----------------------------|------|
| 1    |    | 91247A636    | 3/8" x 3" Hex Head         | 1    |
| 2    |    | 90185A591    | 5/16" x 2" Carriage Bolt   | 7    |
| 3    |    | 90295A170    | 3/8" Nylon Washer          | 1    |
| 4    |    | 97135A230    | 3/8"-16 Nyloc              | 5    |
| 5    |   | 90126A031    | 3/8" Flat Washer           | 5    |
| 6    |  | 90185A624    | 3/8" x 1" Carriage Bolt    | 4    |
| 7    |  | 90126A030    | 5/16" Flat Washer          | 7    |
| 8    |  | 95615A160    | 5/16-18 Nyloc Nut          | 7    |
| 9    |  | 40800-10-007 | Nylon Bushing<br>Scale 1:2 | 2    |
| 10   |  | 91844A370    | 3/8" Contour Washer        | 1    |
| 11   |   | BH-821       | Sealant                    | 1    |

## DO NOT EXCEED MANUFACTURERS WEIGHT CAPACITY FOR ROOF!

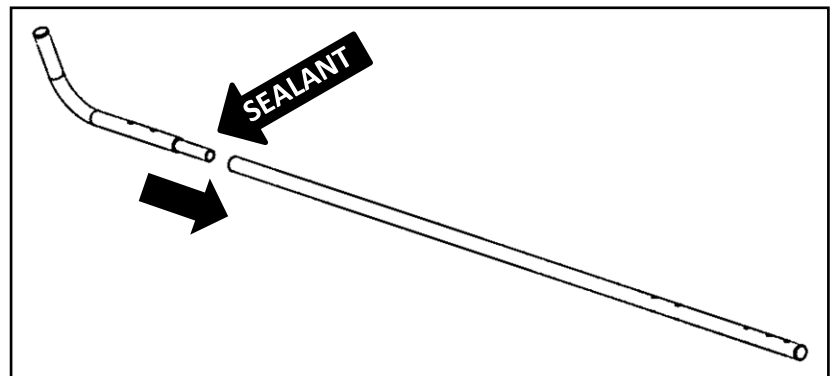
### Step 1 – Remove End Stops

- If haven't already done so, remove end stops from opposite end of both bows where the existing ladder rack is installed.

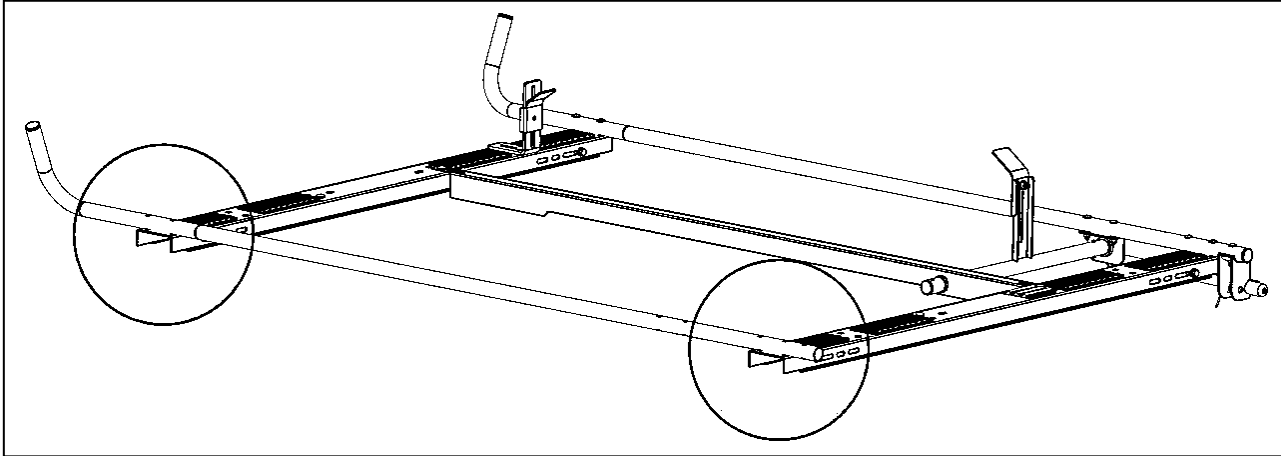


### Step 2 – Install Side Tube

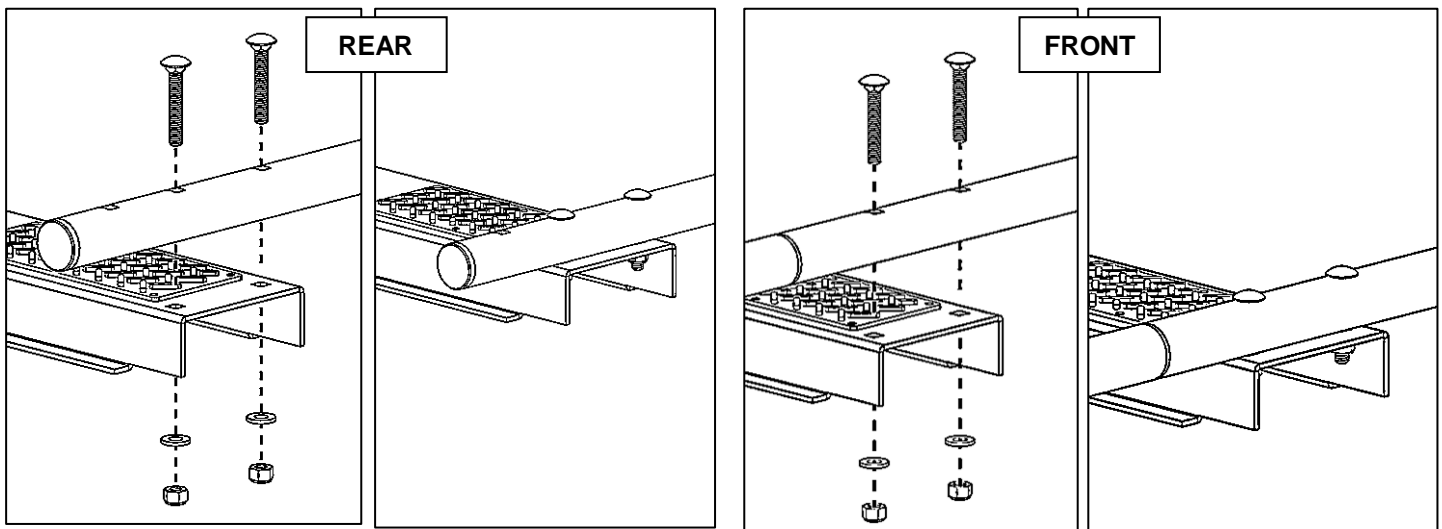
- Place sealant around swaged end of side support bar.
- Slide side support bar into side tube assembly. Be sure the holes in each line up.
- Place the J-tube assembly on top of the installed bows.



- **Be sure the bend is towards the front and to the outside of the vehicle as shown.**

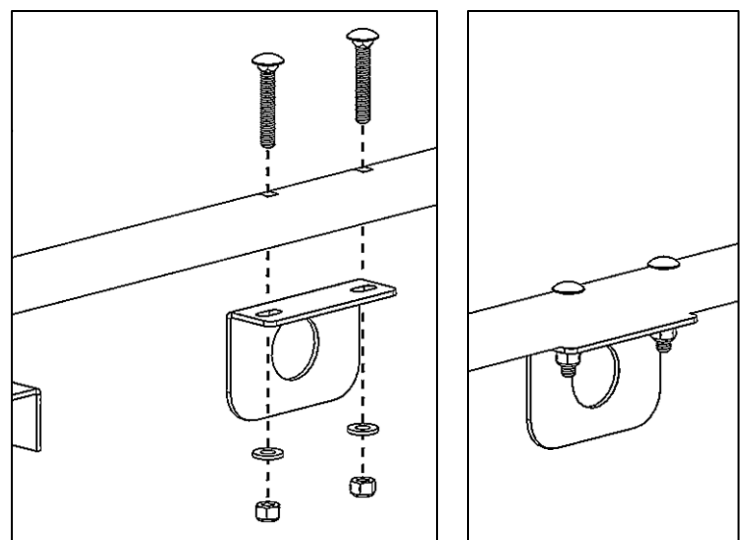


- **Be sure to leave one square slot open at the rear of the J-tube assembly.**
- Bolt the J-tube assembly to the rear bow using 5/16" x 2" carriage bolt, a 5/16" flat washer and a 5/16" lock nut.
- Snug tighten, but allow movement.



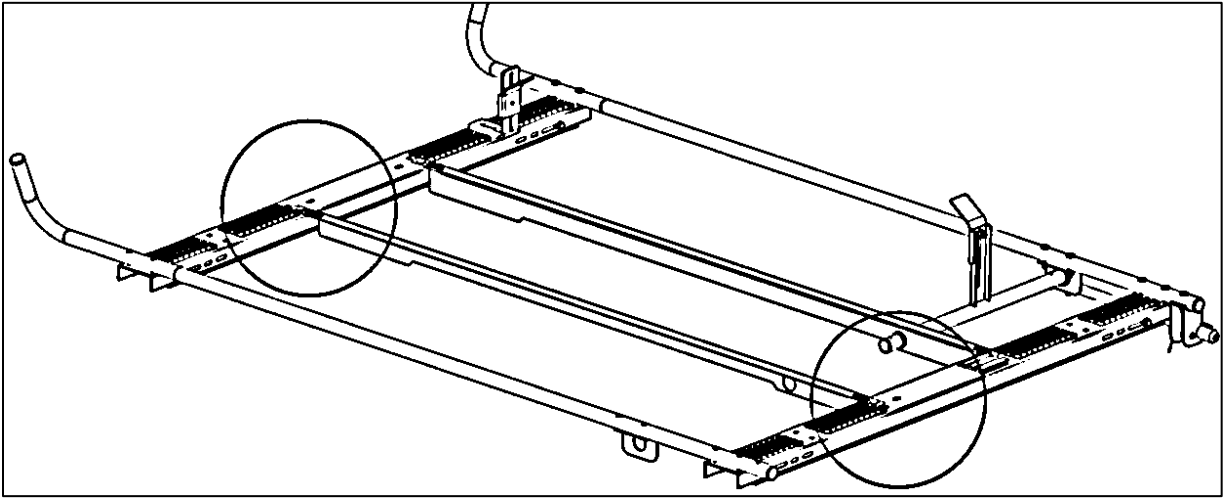
### **Step 3 – Install Hanger Bracket**

- Using 5/16" x 2" carriage bolts, 5/16" flat washers and 5/16" lock nuts, bolt the angle bracket to the underside of the side tube as shown. **Be sure the downward flanges is towards center of vehicle and downwards.**

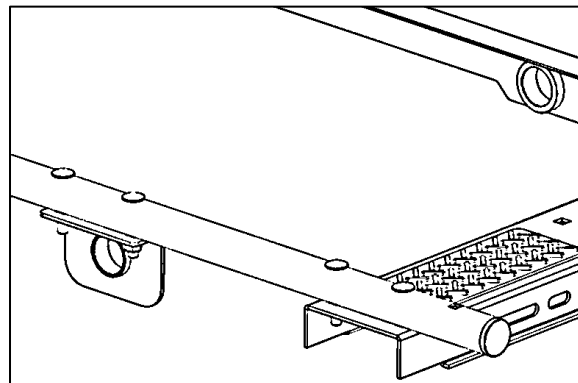
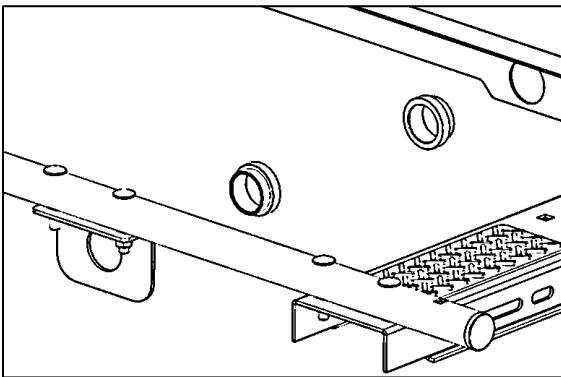


## Step 4 – Attach Clamp Tube and L-Bracket

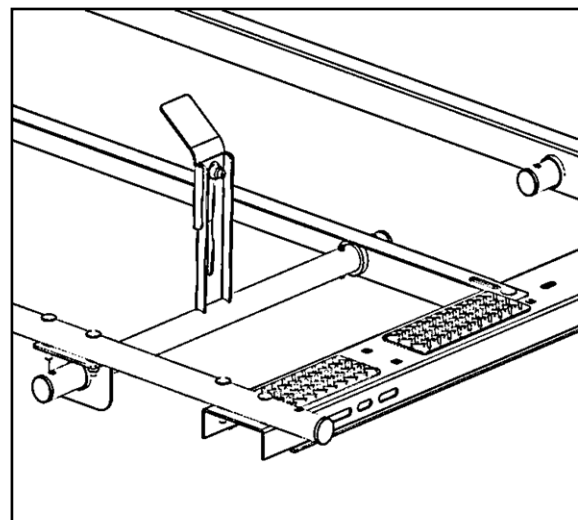
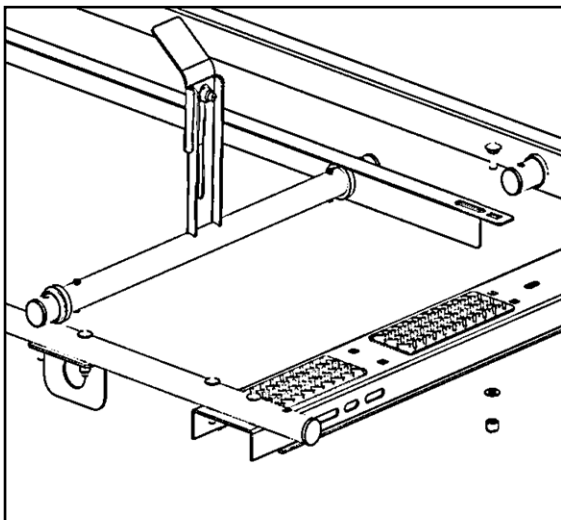
- Place clamp and lock L bracket on top of installed bows. **Do not install hardware now.**



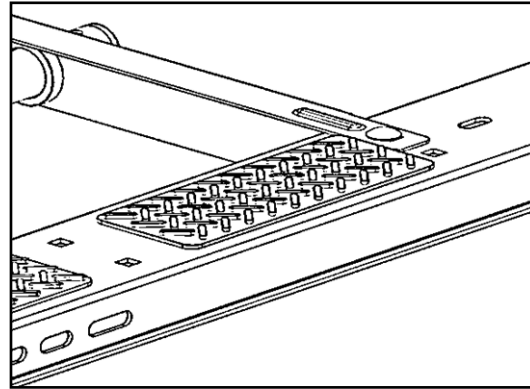
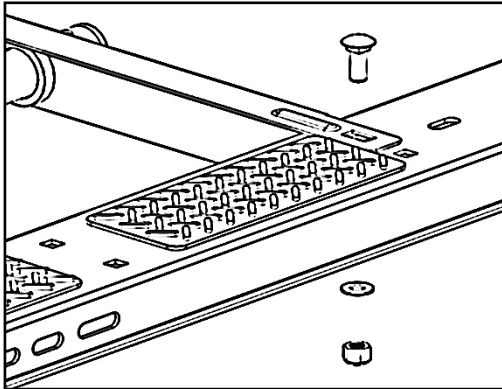
- Insert plastic bushings into the clamp and lock L bracket and the hanger bracket installed in Step 2, with flanges as shown so they cannot come out at a later time. **If bushings are not placed in correct orientation, they can fall out.**



- Insert clamp tube into both plastic bushings.
- Adjust clamp on clamp tube to fit firmly against your ladder.

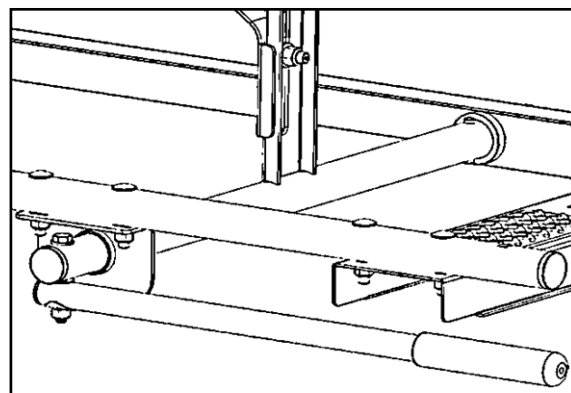
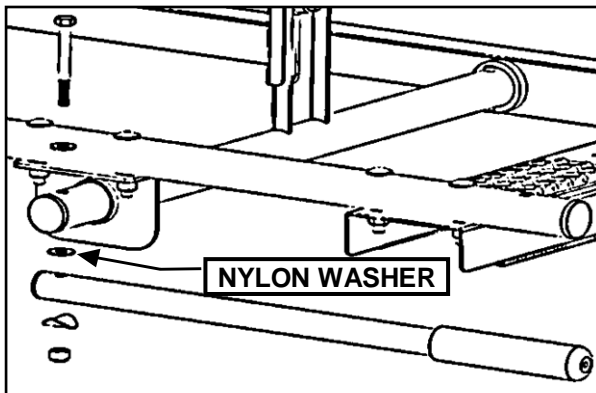


- Bolt clamp and lock L bracket to bows using 3/8" x 1" carriage bolt, 3/8" flat washer and a 3/8" lock nut as shown. (This view shown is without clamp tube.)
- **TIGHTEN.**



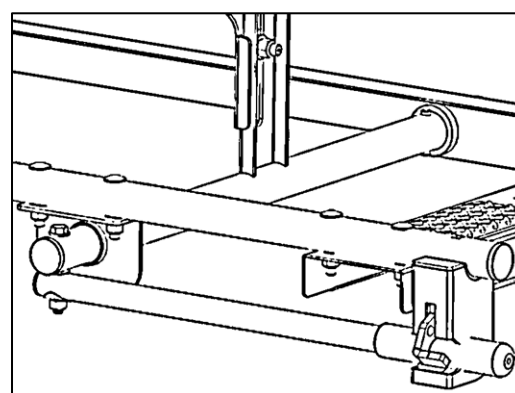
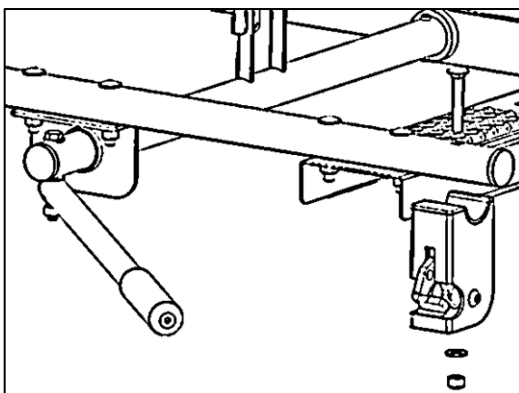
## **Step 5 – Mount Handle**

- Bolt handle to clamp tube using a 3/8" x 3" hex head, 3/8" flat washers, 3/8" nylon washer, 3/8" curved washer and a 3/8" lock nut. The nylon washer goes in between the clamp tube and handle.
- **TIGHTEN.**



## **Step 6 – Mount Latch Assembly**

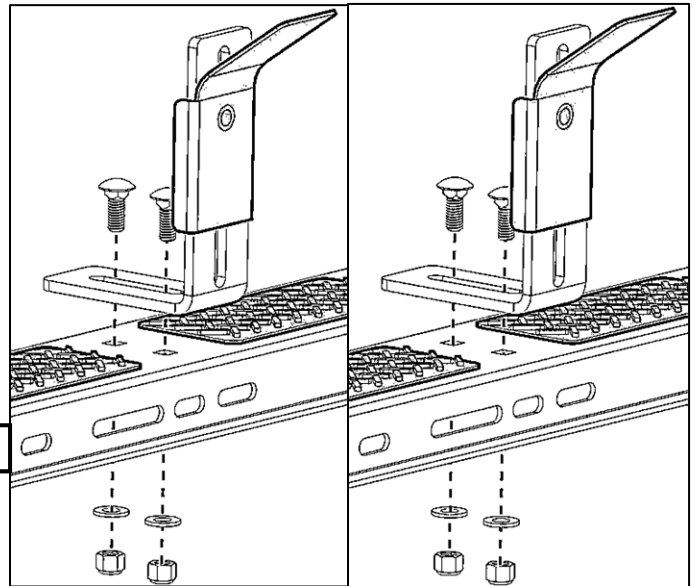
- Bolt latch to the rear of the mount tube that was installed in Step 5 using 5/16" x 2" carriage bolt, 5/16" curved washer and a 5/16" lock nut.
- **TIGHTEN.**



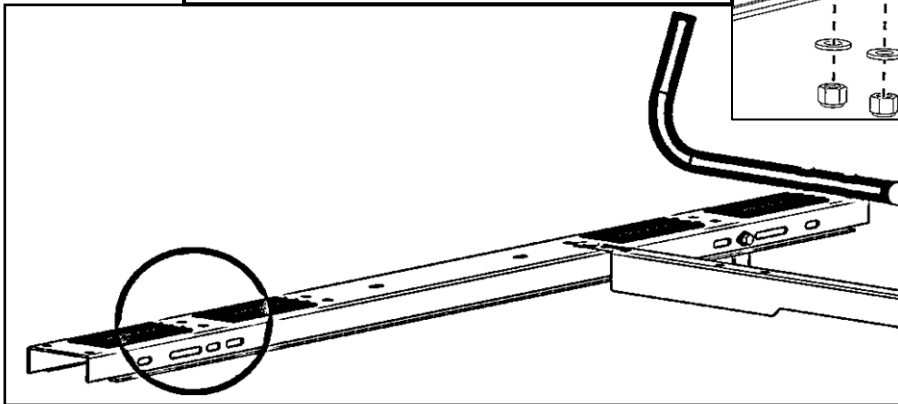


## Step 7 – Mount Ladder Hook

- Bolt ladder hook bracket to the bow in the orientation shown using a 3/8" x 1" carriage bolt, a 3/8" flat washer and a 3/8" lock nut. **Be sure the bracket is square to the bow.**
- Adjust clamp on bracket to fit firmly against your ladder.
- **TIGHTEN.**

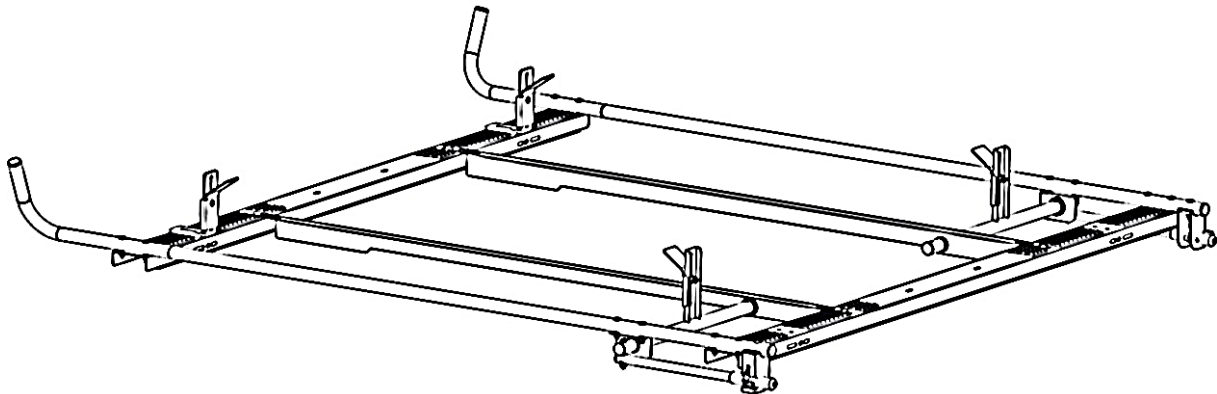


Show without some parts for clarity.



**GO BACK AND ENSURE ALL HARDWARE IS TIGHT.**

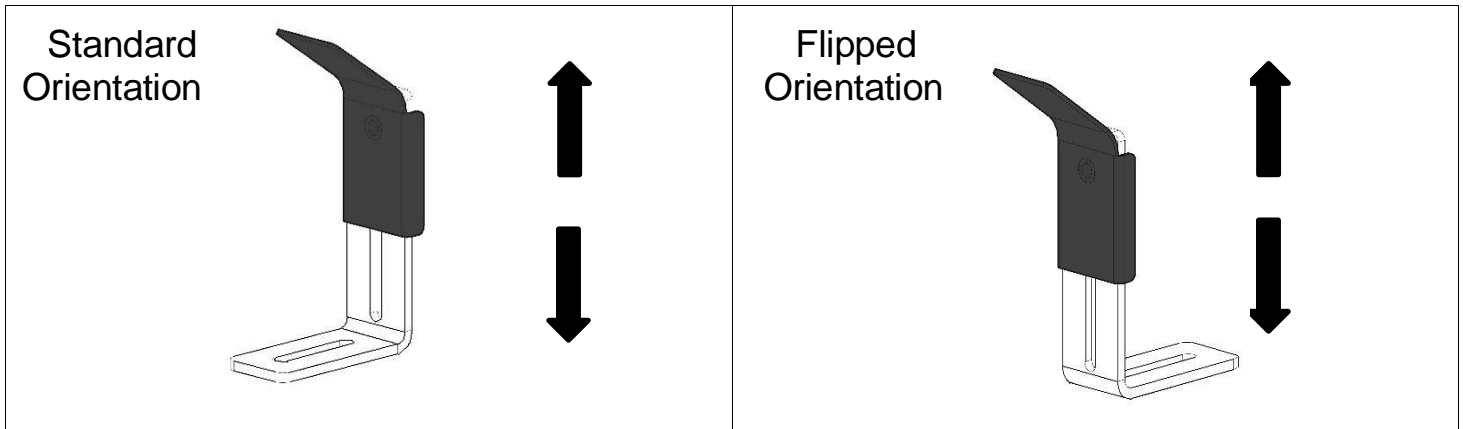
**INSTALLATION IS NOW COMPLETE.**



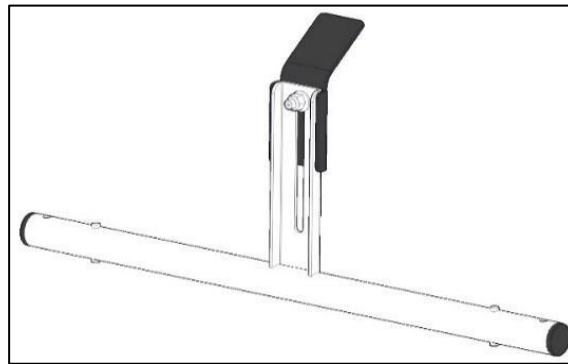
**Refer to the Clamp and Lock Adjustment instructions to adjust the rack to your ladder.**

**ALWAYS BE SURE LADDER IS SECURE PRIOR TO TRANSPORTATION.**

## Angle Pad Orientations and Locations

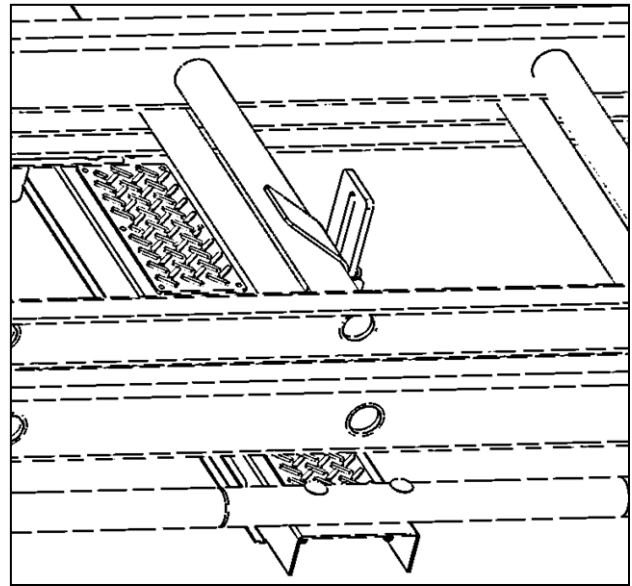
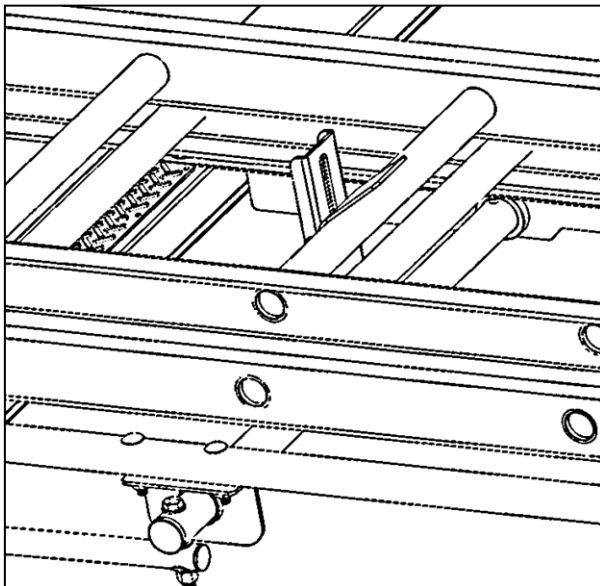


## Clamp Mechanism Orientation and Angled Pad Positions



## Examples of Ladder Clamps Firmly Against Ladder Rungs

- Be sure to position the ladder hook in a way so the hook clamps the ladder tight into place. A tight fit ensures the ladder cannot fall off the rack.



**BE SURE THE LADDER HOOKS ARE FIRMLY AGAINST THE LADDER STEPS OR RUNGS.**