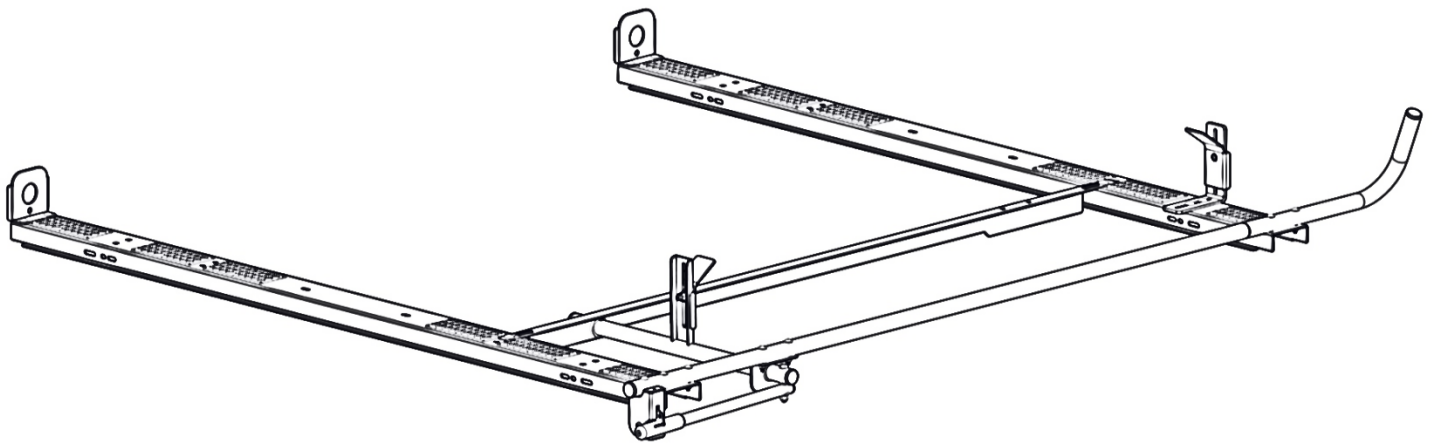


# Holman

---

## Instruction Guide 4A82L

---



---

Holman  
Rancho Cordova, CA 95742  
800-343-7486  
[InstallationSupport@Holman.com](mailto:InstallationSupport@Holman.com)

---

---

## PLEASE READ ALL INSTRUCTIONS AND WARNINGS PRIOR TO ASSEMBLING, INSTALLING, AND USING THIS PRODUCT.

---

### Warning



**DO NOT EXCEED MANUFACTURERS WEIGHT CAPACITY FOR ROOF.**



**BE SURE LADDER IS SECURE PRIOR TO TRANSPORTATION. Ladder stops MUST press against ladder in all situations.**

---

### Tools Needed

1/2", 9/16" Sockets and Wrench	1/2", 9/16" Box Wrenches
--------------------------------	--------------------------

---

### Table of Contents

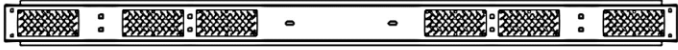

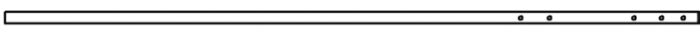


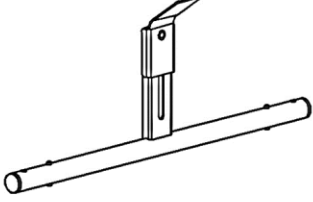


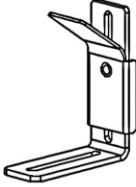

Parts List .....	2
Hardware.....	3
Step 1 – Install End Stops .....	4
Step 2 – Attach Bows to Feet .....	5
Step 3 – Install Side Tube .....	6
Step 4 – Install Hanger Bracket.....	7
Step 5 – Attach Clamp Tube and L-Bracket.....	8
Step 6 – Mount Handle.....	9
Step 7 – Mount Latch Assembly.....	10
Step 8 – Install Ladder Hook to Bow .....	10
Angle Pad Orientations and Locations .....	12
Clamp Mechanism Orientation and Angled Pad Positions .....	12

---

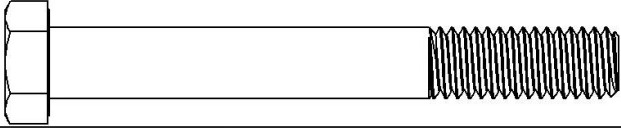
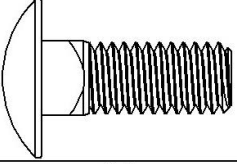
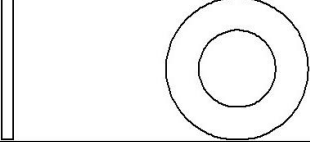
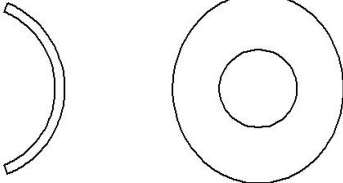
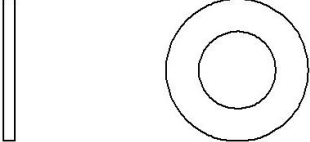

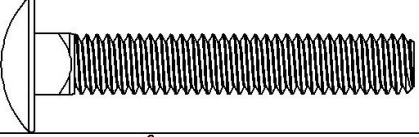
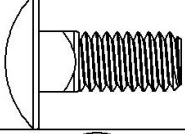
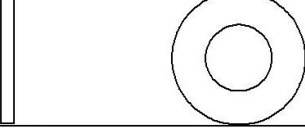
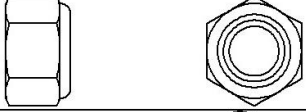
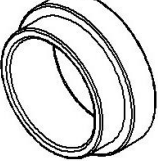
### Before You Begin

- Read all instructions prior to assembling or installing any Holman product.
- Have vehicle specific mount kit installed on vehicle.
- Most times it is easier to assemble on top of the roof, after the mount kit has been installed.
- **DO NOT EXCEED MANUFACTURERS WEIGHT CAPACITY FOR ROOF.**
- **Be sure to adjust ladder clamps accordingly to secure ladder firmly to rack. To adjust, refer to Clamp and Lock adjustment guide.**

## Parts List

NO.	ITEM	PART NUMBER	DESCRIPTION	QTY.
1		4A90L-11	BOW ASSEMBLY	2
2		4A800-52-R	SIDE SUPPORT BAR	1
3		4A800-51	SIDE TUBE ASM	1
4		4A800-00-003-R	CLAMP AND LOCK L BRACKET	1
5		4A900-10-008	END STOP	2
6		4A800-30	CLAMP TUBE	1
7		11-03027-A	HANGER ANGLE BRACKET	1
8		4A800-20	LATCH ASM	1
9		4A800-60	LADDER STOP ASSEMBLY	1
10		4A800-40	HANDLE	1
11		18-4A800	ALUMINUM CLAMP N LOCK ASSEMBLY HARDWARE	1

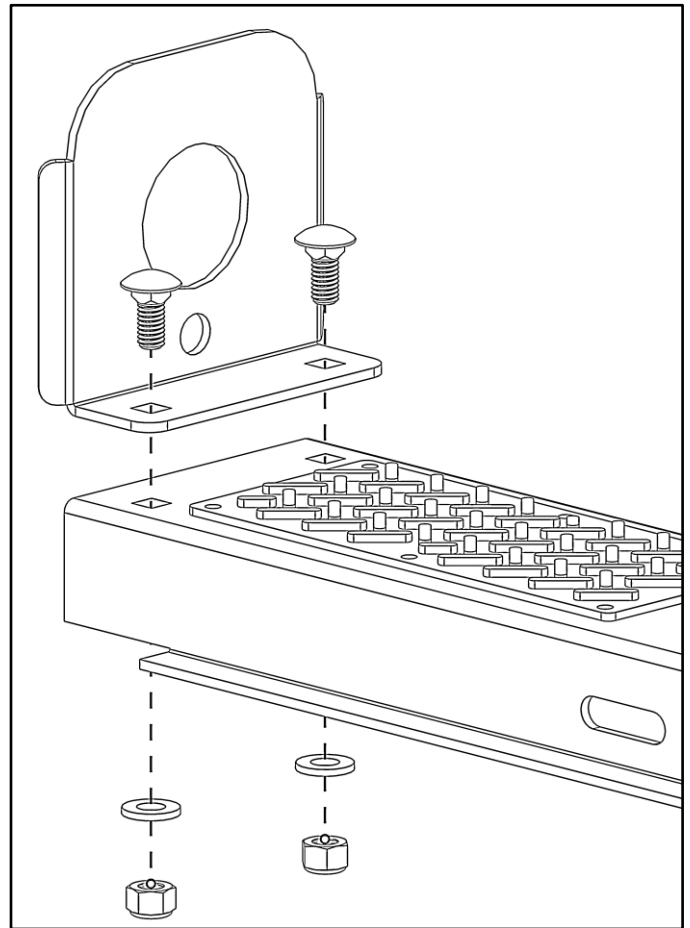
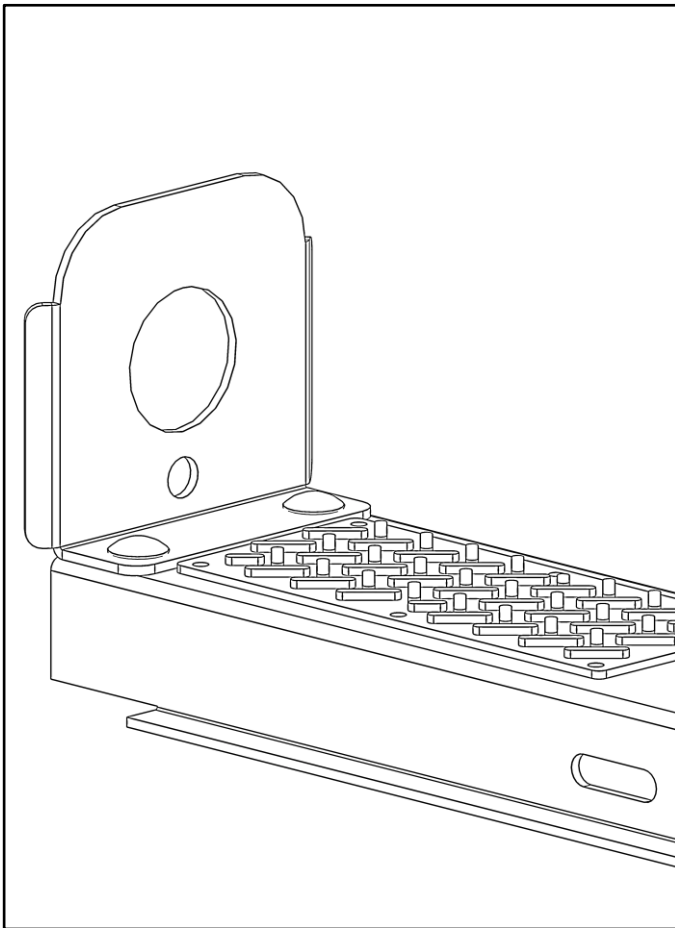
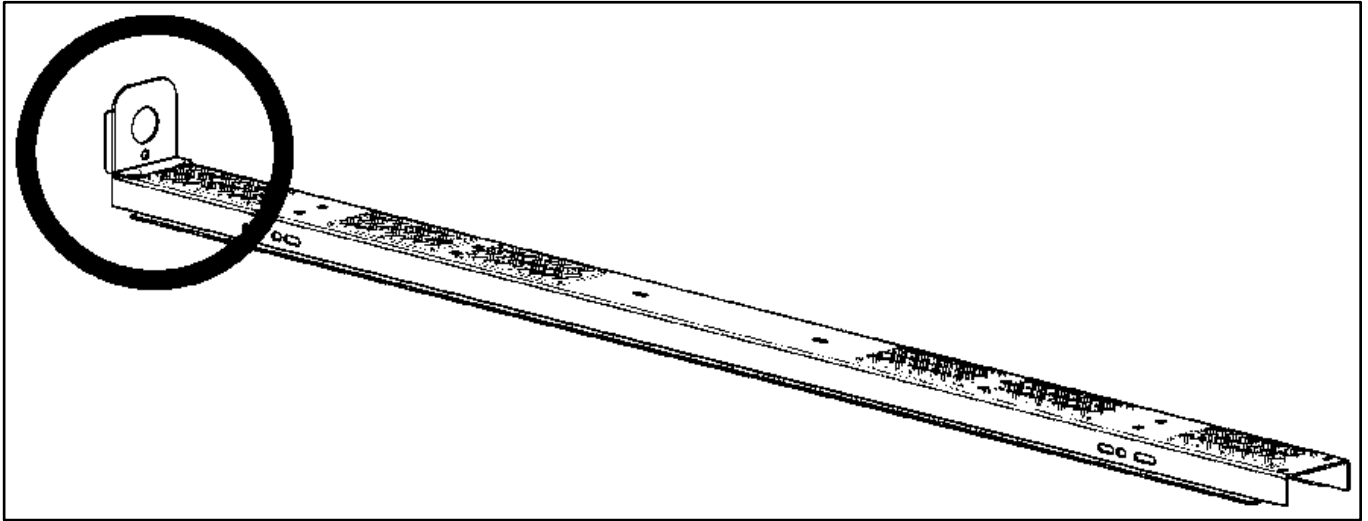
## Hardware

ITEM	HARDWARE TO SCALE	PART NUMBER	DESCRIPTION	QTY.
1		11241204	3/8"-16 X 3" HEX HEAD BOLT	1
2		74436	3/8-16 X 1" CARRIAGE BOLT	4
3		0159723	3/8" FLAT WASHER	5
4		91844A370	3/8" CURVED WASHER	1
5			.062X.39X.75 NYLON WASHER	1
6		0169791	3/8"-16 LOCK NUT	5
7		21814	5/16"-18 X 2" CARRIAGE BOLT	7
8		21810	3/12-18 X 3/4" CARRIAGE BOLT	4
9		92141A030	5/16" FLAT WASHER	11
10		0169777	5/16"-18 LOCK NUT	11
11	 *NOT TO SCALE	-	NYLON SLEEVE	2
12		SEALANT - 60 ML	SELF LEVELING ADHESIVE SEALANT	1

## Step 1 – Install End Stops

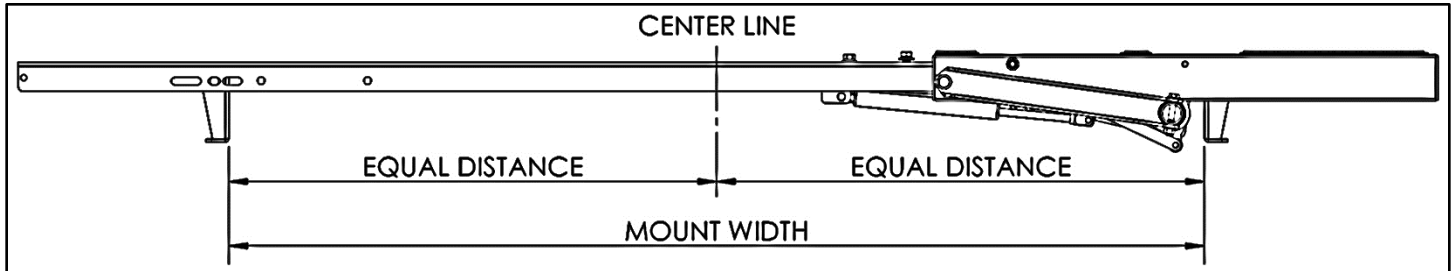
Skip this step if installing a drivers side ladder rack.

- Bolt end stops to one end of each bow using 5/16" x 3/4" carriage bolts, 5/16" washers and 5/16" lock nuts in the location and orientation shown.
- TIGHTEN.

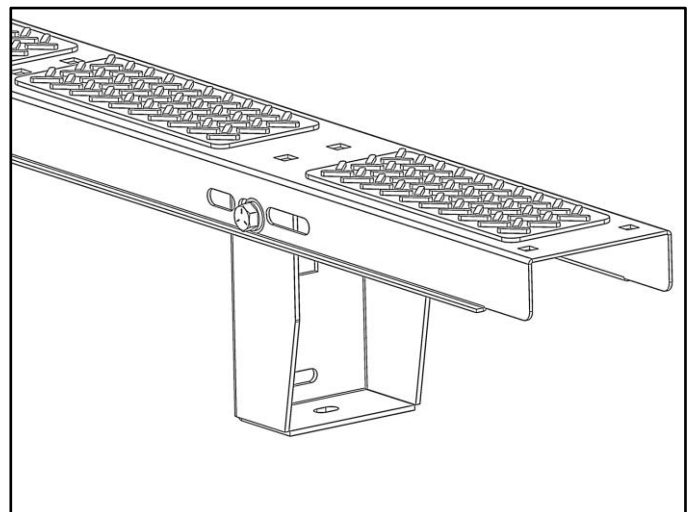
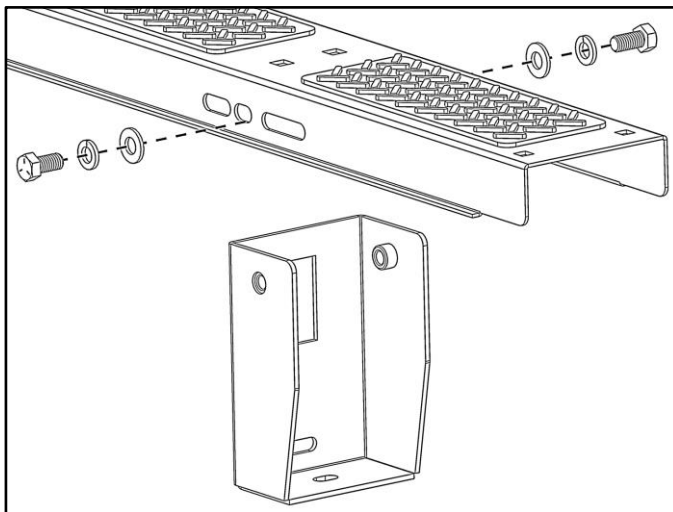
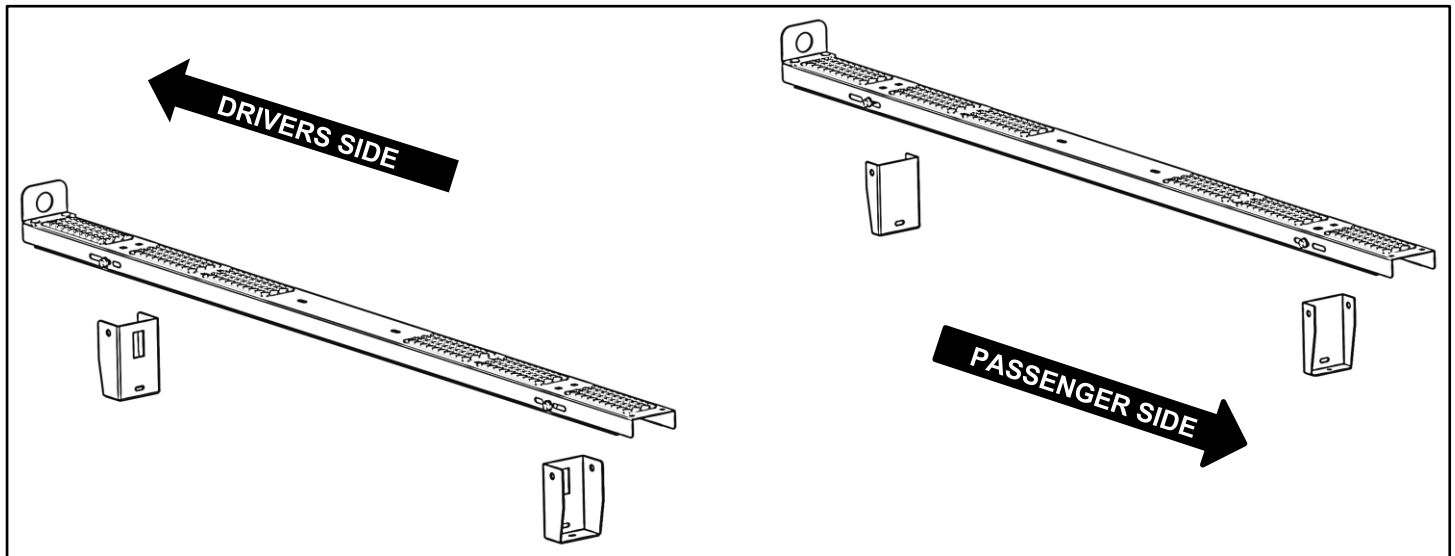


## Step 2 – Attach Bows to Feet

- Have the vehicle specific mounting installed on the vehicle.
- Place each bow on top of the feet in the orientation shown. The driver side of the bow is the side with the end stops installed.
- Center the bow on the van and the feet. Use the hardware from the mount kit to attach the bow to the feet.
- **TIGHTEN.**

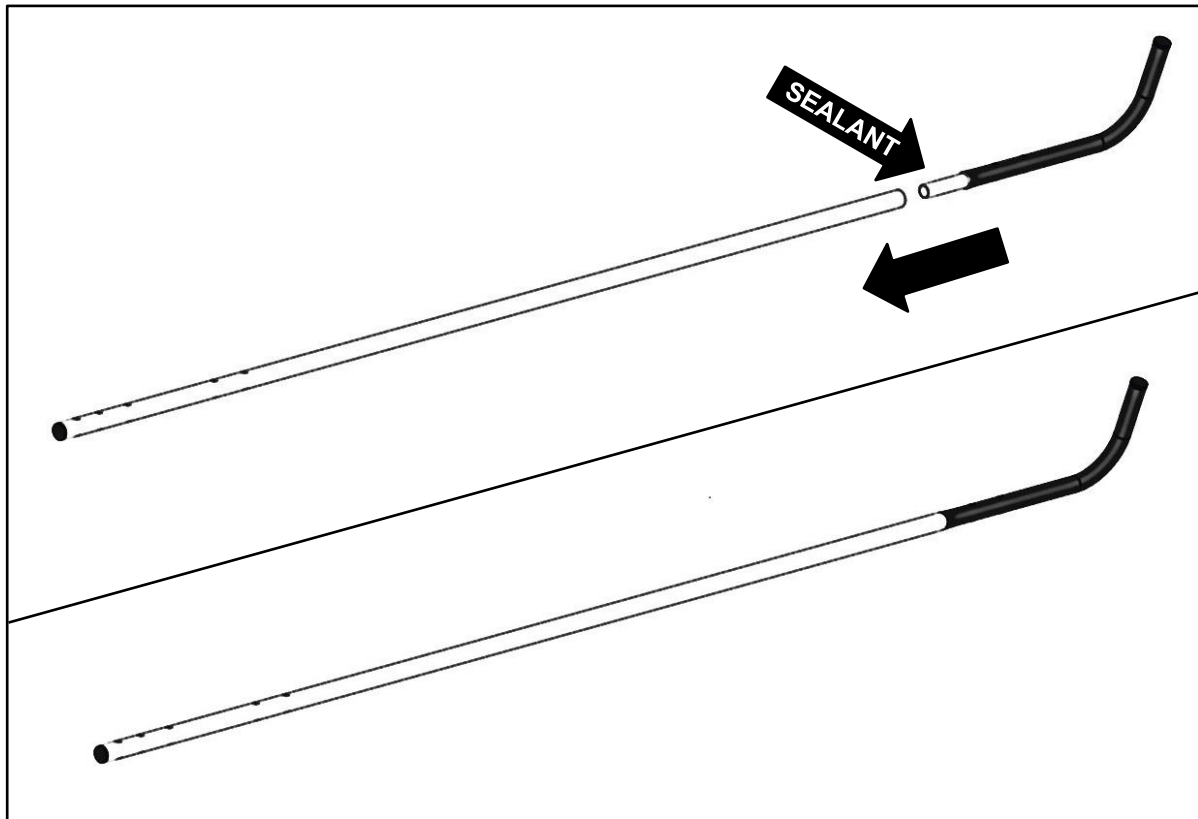


**\*\*Bows and feet may vary from the image shown below, but the installation is the same\***

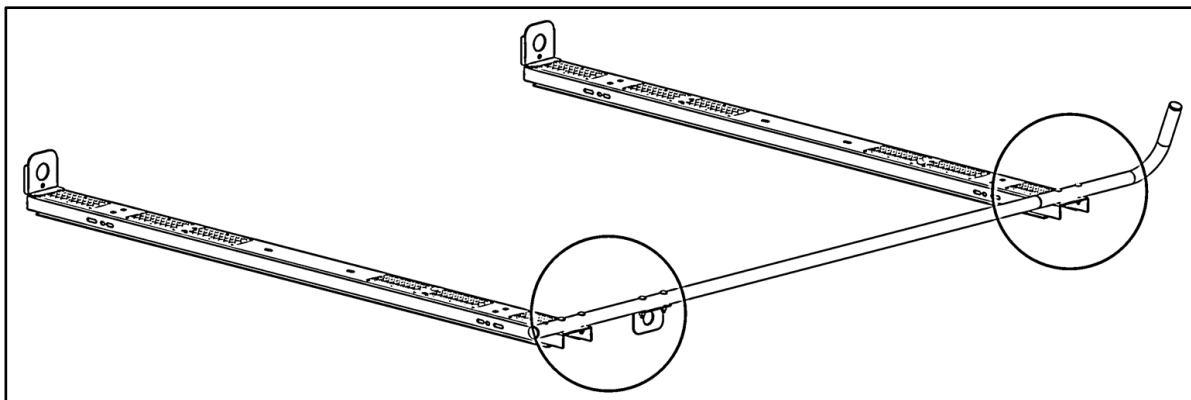


## Step 3 – Install Side Tube

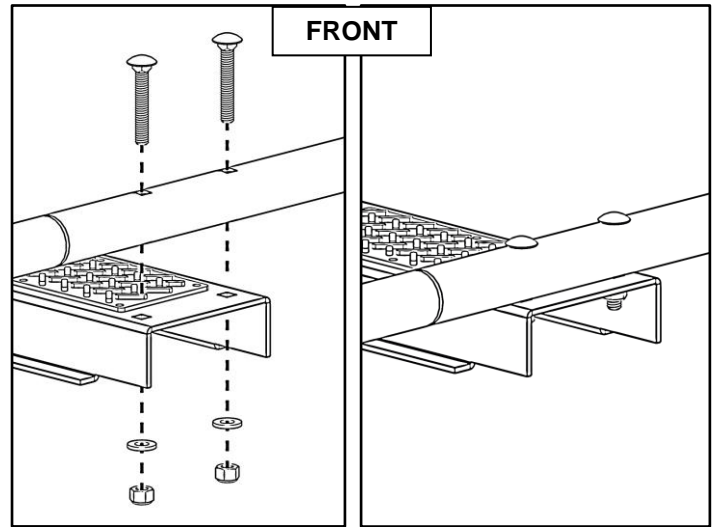
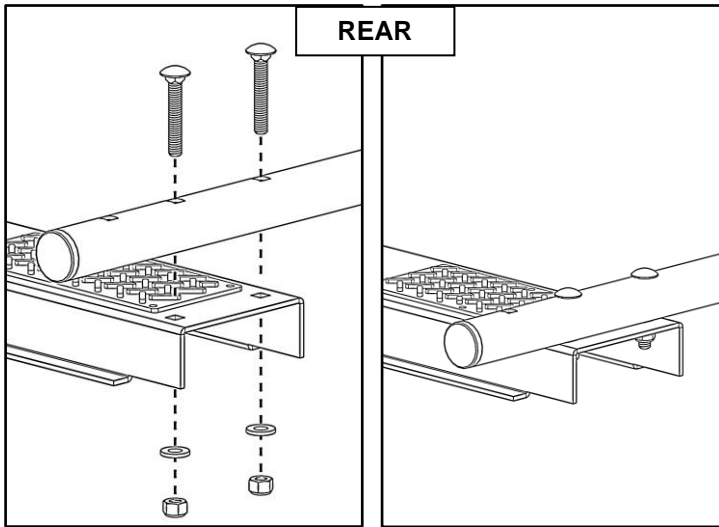
- Place sealant around swaged end of side support bar.
- Slide side support bar into side tube assembly. **Be sure the holes in each line up.**



- Place side tube assembly on top of the installed bows.
- Have the bend towards the front and to the outside of the vehicle.

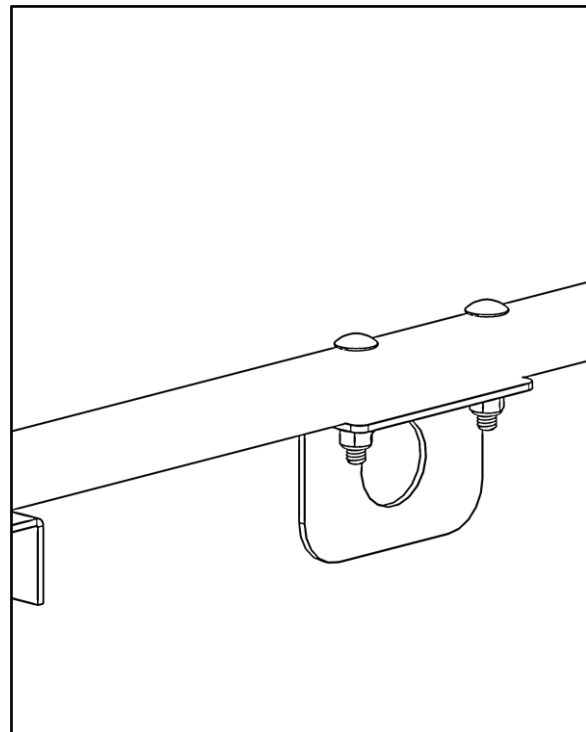
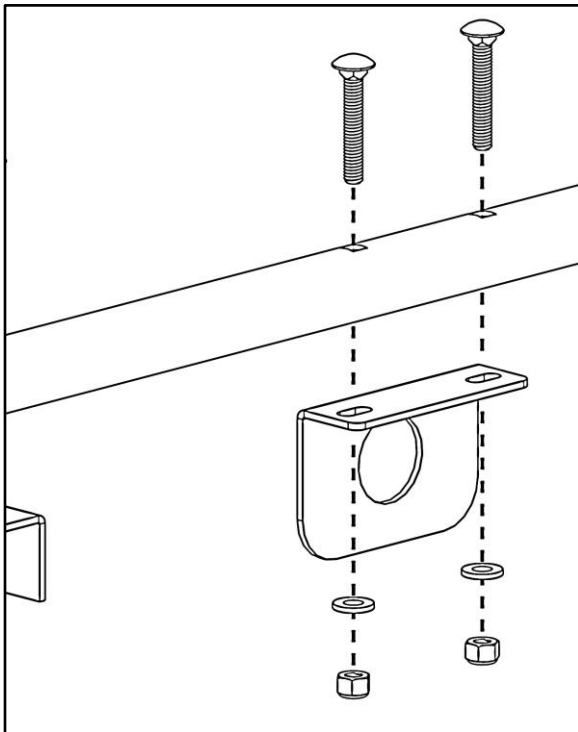


- Using 5/16" x 2" carriage bolts, 5/16" flat washers and 5/16" lock nuts, fasten the side tube assembly to both pans. **Be sure to leave one square slot open at the rear of the side tube.**
- Snug tighten, but allow movement.



## **Step 4 – Install Hanger Bracket**

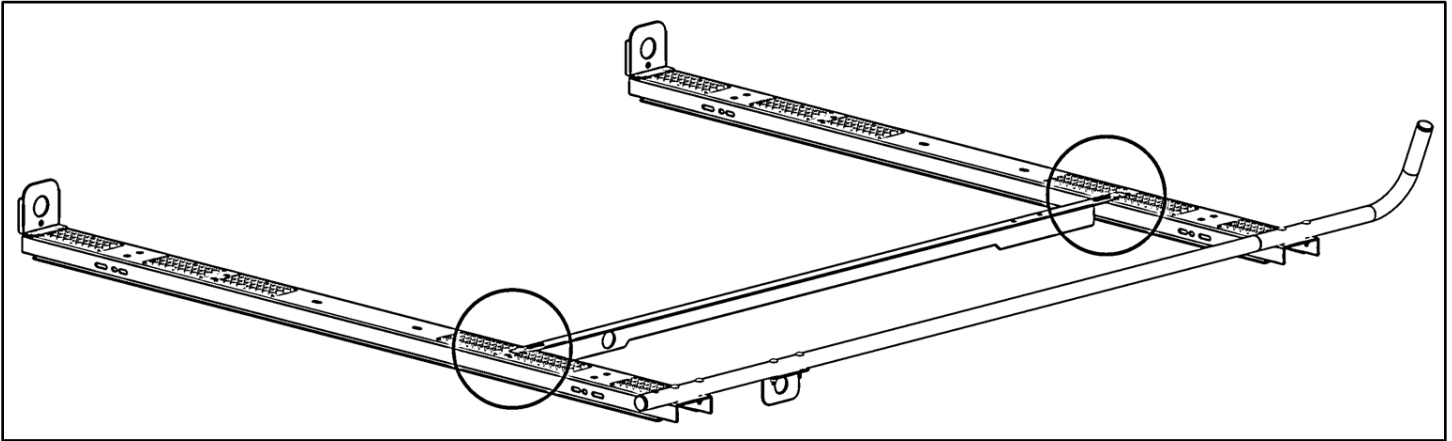
Using 5/16" x 2" carriage bolts, 5/16" flat washers and 5/16" lock nuts, bolt the angle bracket to the underside of the side tube as shown. **Be sure the downward flanges is towards center of vehicle and downwards.**



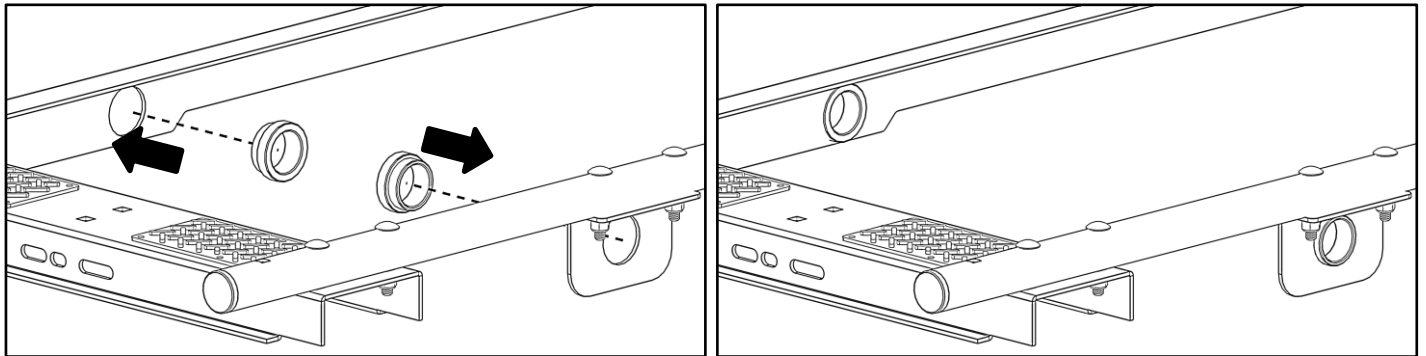


## Step 5 – Attach Clamp Tube and L-Bracket

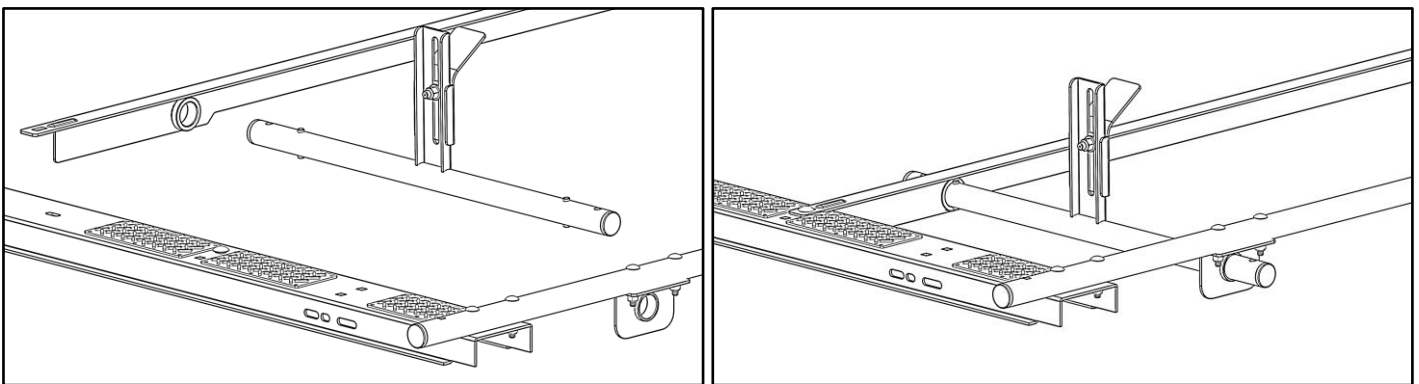
- Place clamp and lock L bracket on top of installed bows. **Be sure to have the long flange of the L bracket to the center of the vehicle.**



- Insert the plastic bushings into the clamp and lock L bracket and angle bracket installed in Step 5, with flange towards each other and to the inside as shown.

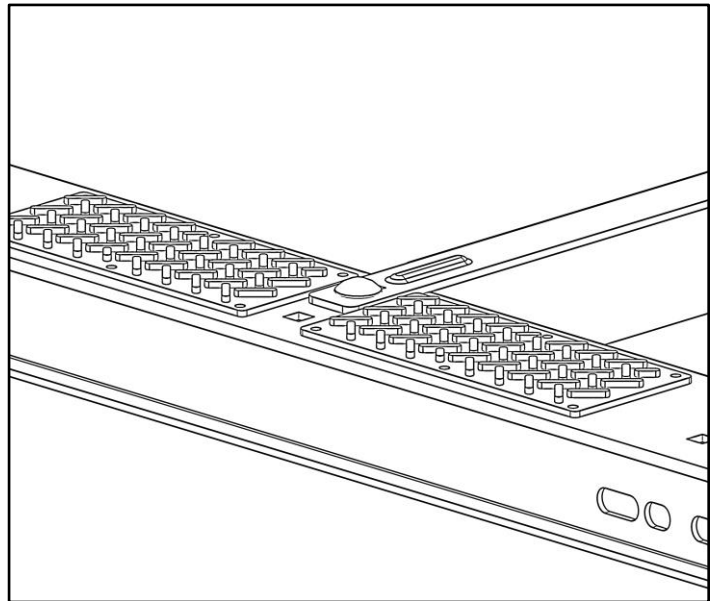
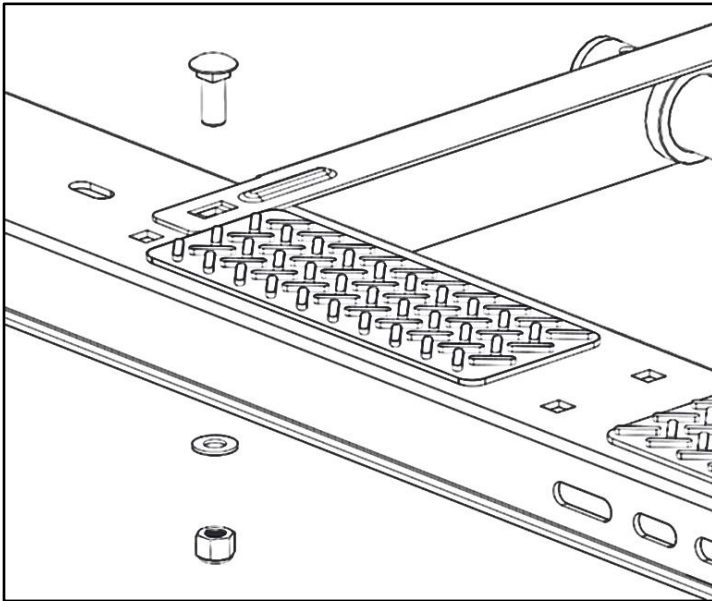


- Insert clamp tube into both plastic bushings in the orientation shown. **Be sure to install the bushings in an orientation so they CANNOT fall out.**



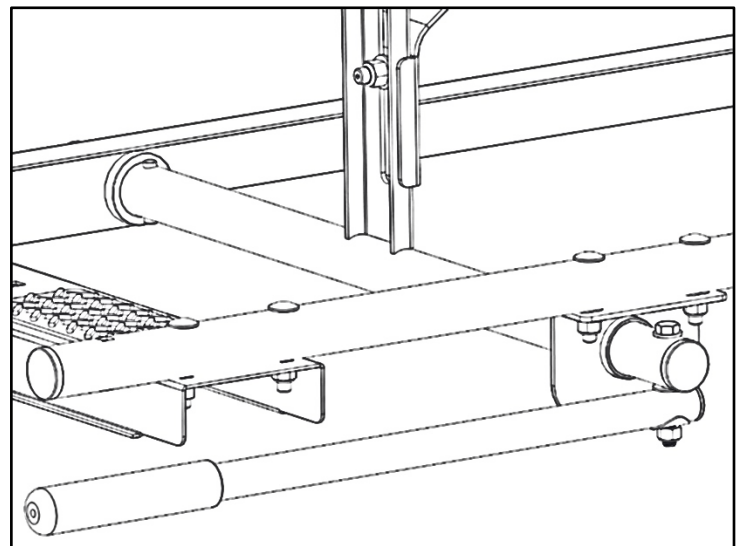
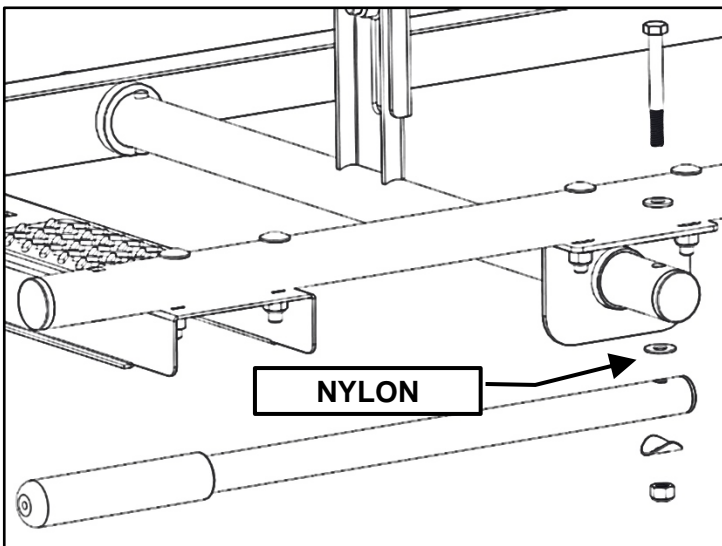
Ladder clamp on the clamp tube is adjustable. When finished installing rack, clamp must be adjusted to fit firmly against ladder.

- Bolt clamp and lock L bracket to both bows using 3/8" x 1" carriage bolts, 3/8" flat washers and 3/8" lock nuts as shown.
- Repeat on opposite bow.
- TIGHTEN.



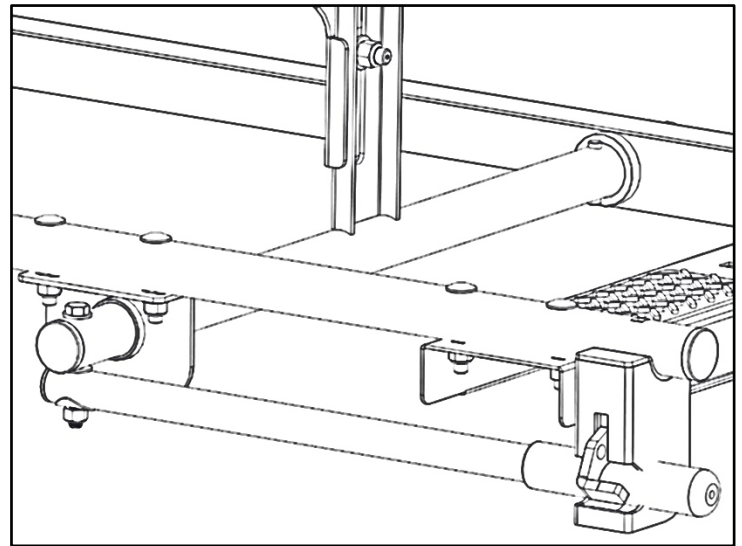
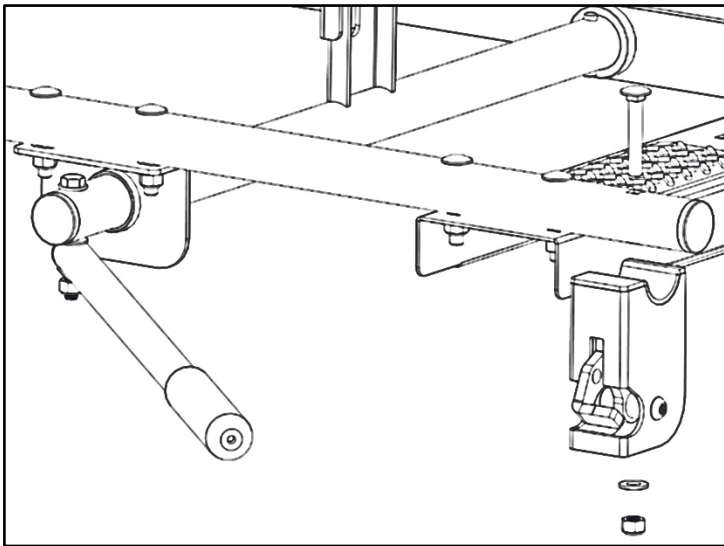
## **Step 6 – Mount Handle**

- Bolt handle to clamp tube using a 3/8" x 3" hex head, 3/8" flat washers, 3/8" nylon washer, 3/8" curved washer and a 3/8" lock nut. The nylon washer goes in between the clamp tube and handle.
- TIGHTEN.



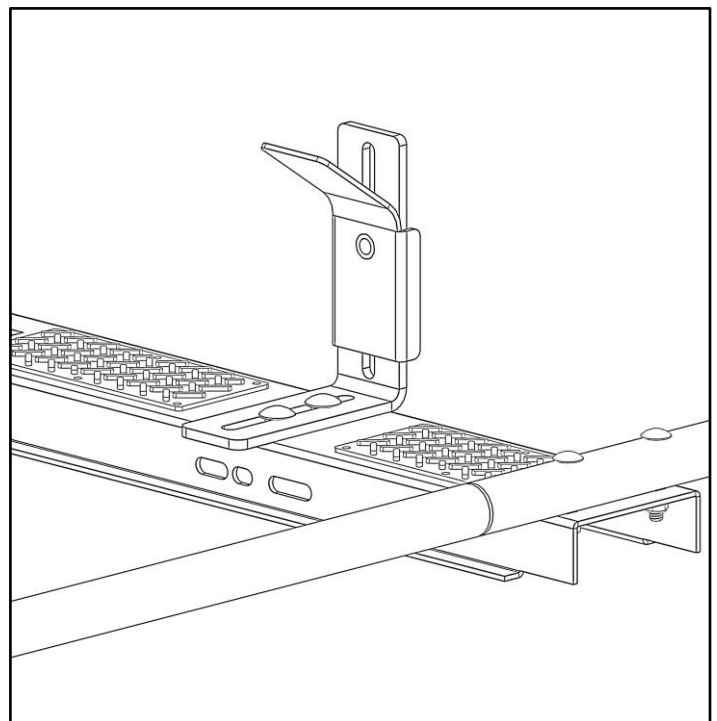
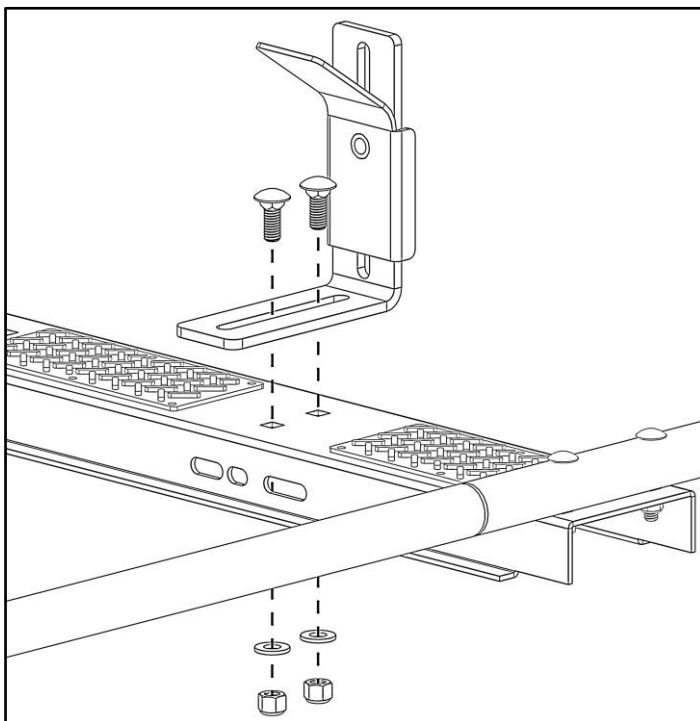
## **Step 7 – Mount Latch Assembly**

- Bolt latch to the rear of the mount tube that was installed in Step 5 using 5/16" x 2" carriage bolt, 5/16" curved washer and a 5/16" lock nut.
- TIGHTEN.



## **Step 8 – Install Ladder Hook to Bow**

- Bolt the ladder hook bracket to the front bow in the orientation shown using two 3/8" x 1" carriage bolts, two 3/8" flat washers and two 3/8" lock nuts.
- TIGHTEN.
- **Adjust ladder hooks to fit ladder.**

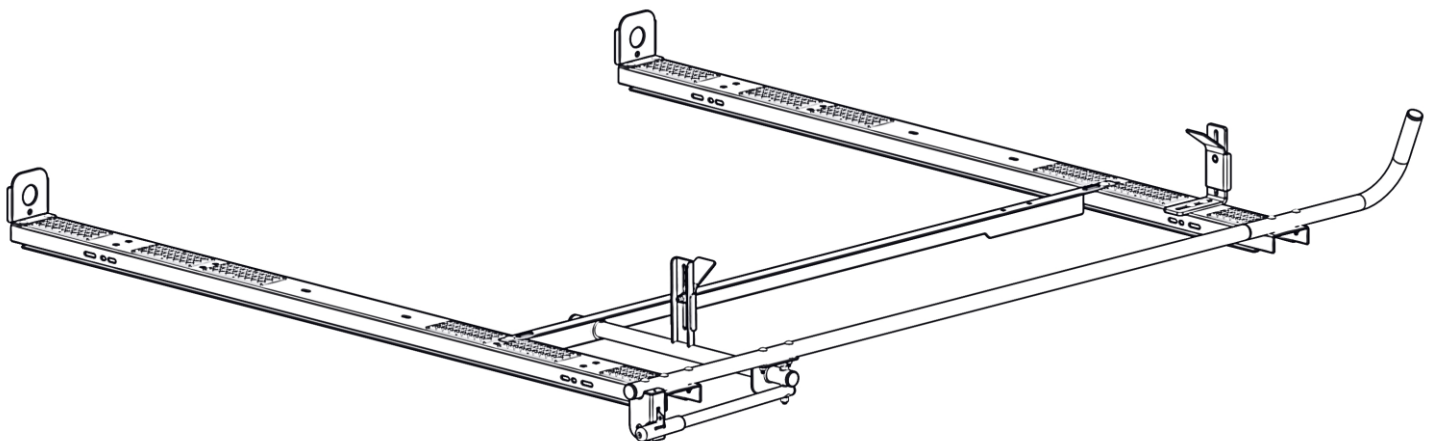


**GO BACK AND ENSURE ALL HARDWARE IS TIGHT.**

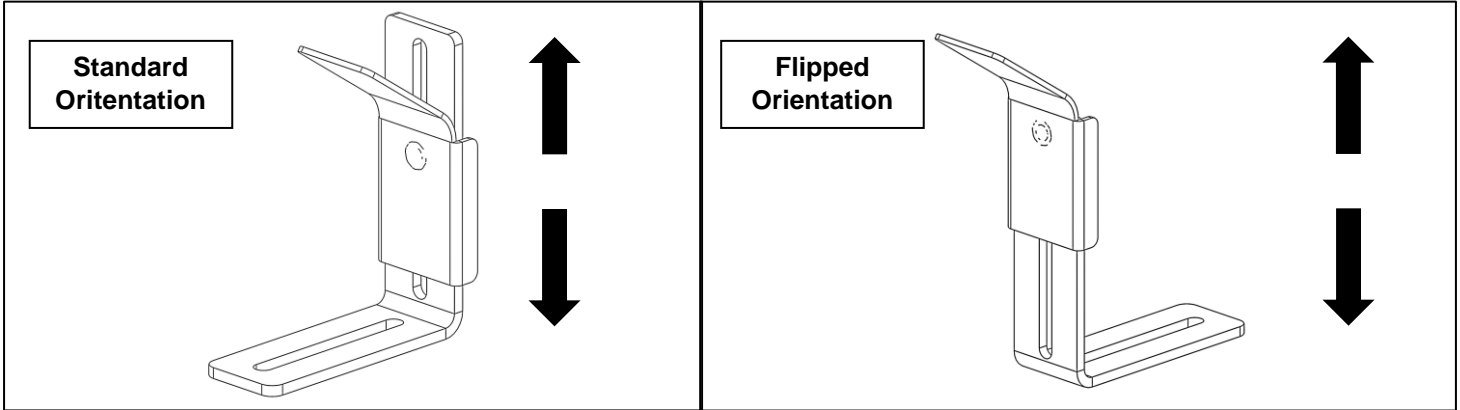
**YOUR INSTALLATION IS NOW COMPLETE.**

**Refer to the Clamp and Lock Adjustment instructions to adjust the rack to your ladder.**

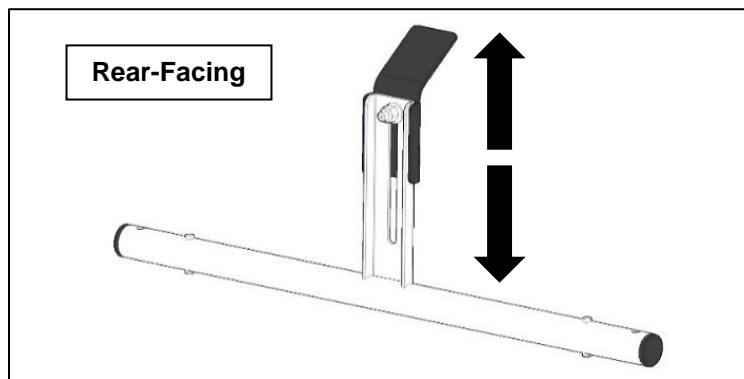
**ALWAYS BE SURE LADDER IS SECURE PRIOR TO TRANSPORTATION.**



## Angle Pad Orientations and Locations

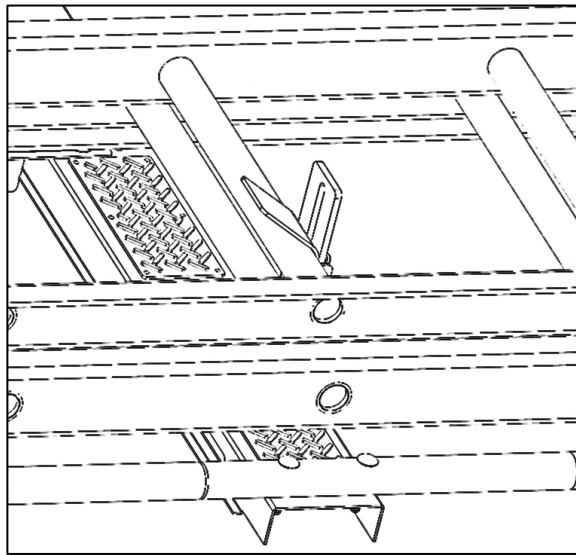
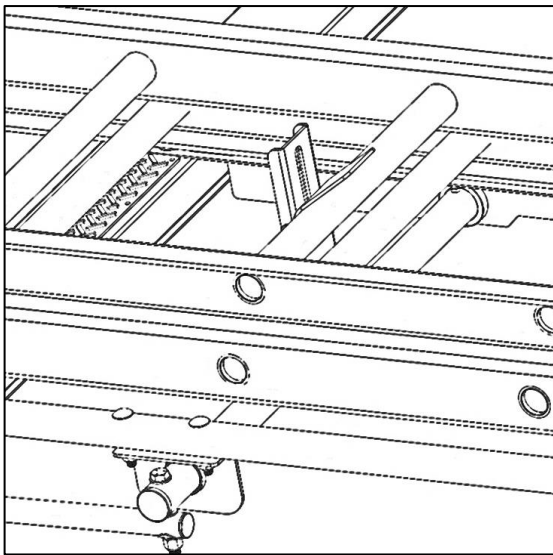


## Clamp Mechanism Orientation and Angled Pad Positions



## Examples of Ladder Clamps Firmly Against Ladder Rungs

- Be sure to position the ladder hook in a way so the hook clamps the ladder tight into place. A tight fit ensures the ladder cannot fall off the rack.



**BE SURE THE LADDER HOOKS ARE FIRMLY AGAINST THE LADDER STEPS OR RUNGS.**