
PLEASE READ ALL INSTRUCTIONS AND WARNINGS PRIOR TO ASSEMBLING, INSTALLING, AND USING THIS PRODUCT.

Warning



Always check for wires, fuel tanks and lines, brake lines and other important vehicle functionality items prior to drilling and installing all products.

Table of Contents

Tools Needed	1
Before You Begin	1
Parts List.....	2
Hardware	2
Step 1A – 130” Wheel Base Mounting.....	3
Step 1B – 148” Wheel Base Mounting.....	4

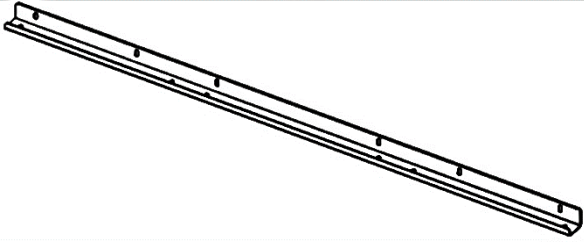
Tools Needed

13mm Socket and Wrench	Measuring Tape
------------------------	----------------

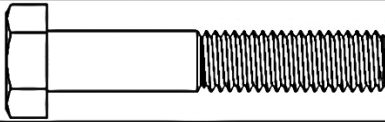
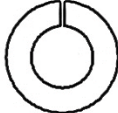
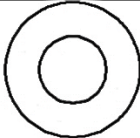
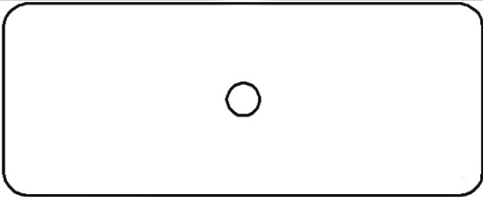
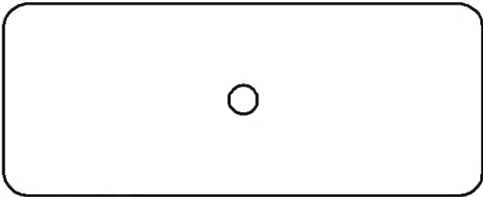
Before You Begin

- Read all instructions prior to assembling or installing any Holman product.
- Follow ladder rack instruction to install ladder rack after installing rails.
- **Always locate your installation locations prior to performing any work.**
- **ENSURE SAFETY WHILE INSTALLING OR DRILLING INTO VEHICLE.**
- **Be sure to put sealant around all threads entering cargo area and between the rubber spacer and roof of vehicle to prevent water from leaking into cargo area.**

Parts List

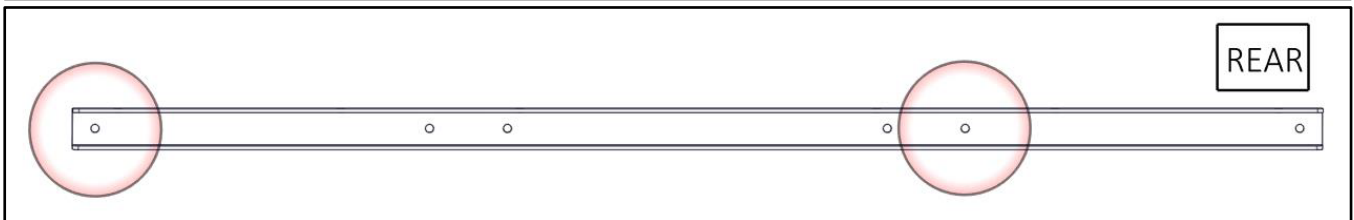
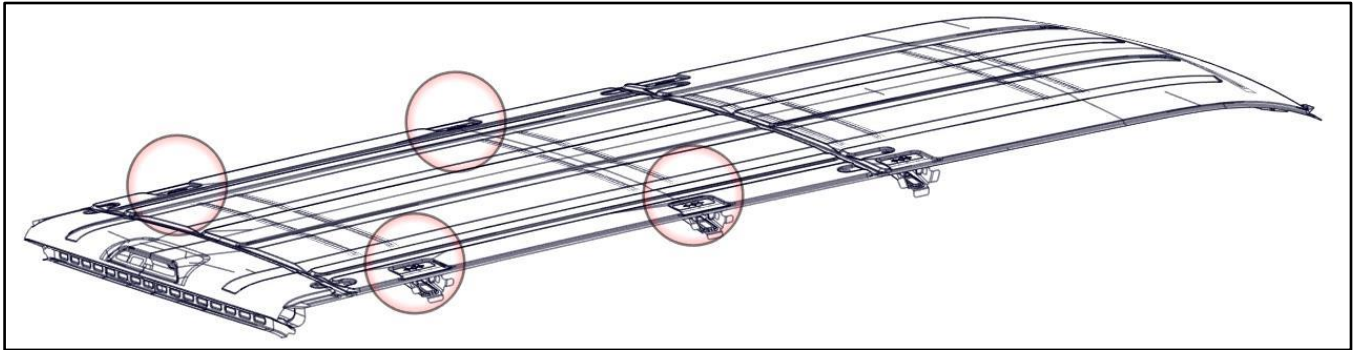
NO.	ITEM	PART NUMBER	DESCRIPTION	QTY.
1		4A820-00-001	REAR RAIL	2
2		18-4A82T	HARDWARE KIT	1

Hardware

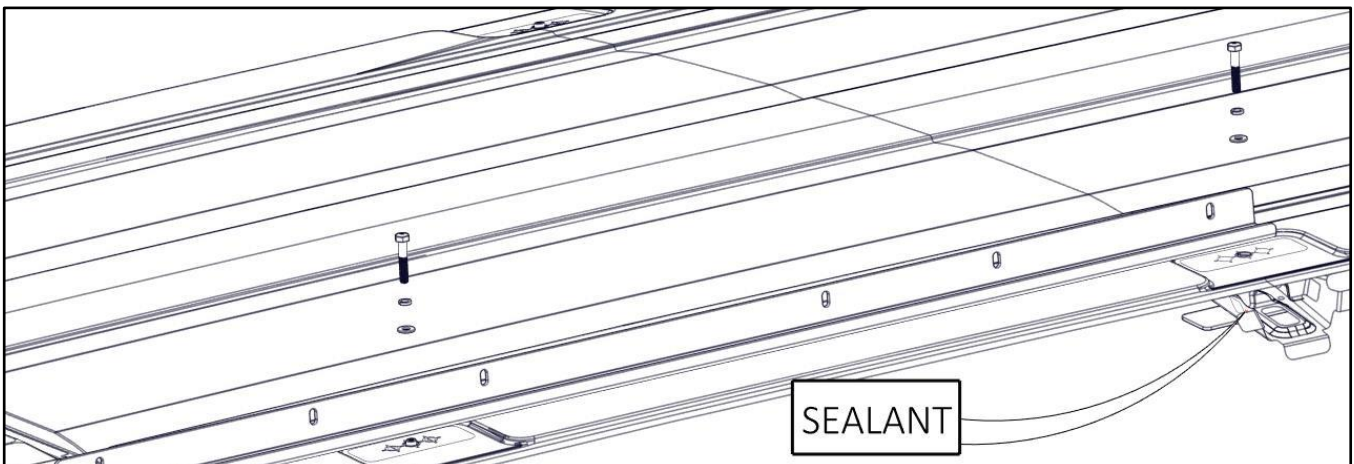
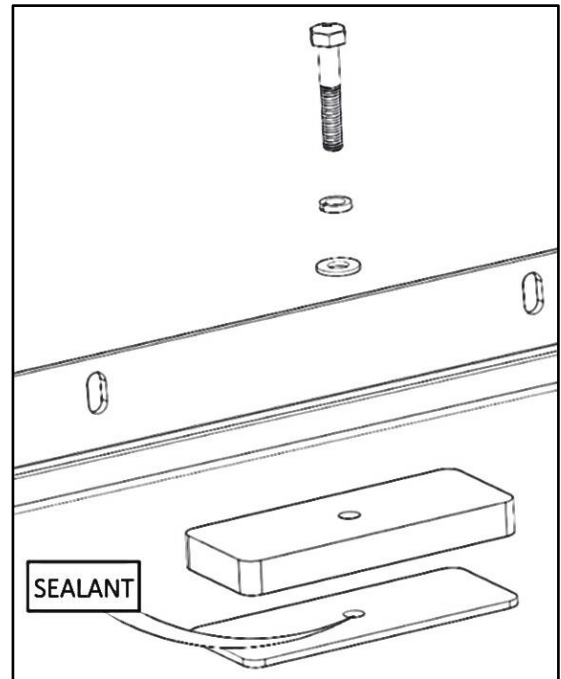
ITEM	HARDWARE TO SCALE	PART NUMBER	DESCRIPTION	QTY.
1		38620	M8X1.25 X 45MM HEX HEAD BOLT	6
2		1133620	5/16" LOCKING WASHER	6
3		90126A030	5/16" FLAT WASHER	6
4	 * NOT TO SCALE	T249-01	Q249- Plate	6
5	 *NOT TO SCALE	T249-02	Rubber	6
6		Sealant - 60 ml	Self Leveling Adhesive Sealant	1

Step 1A – 130” Wheel Base Mounting

- Locate the threaded emboss at the rear of the van. Plugs may need to be removed.

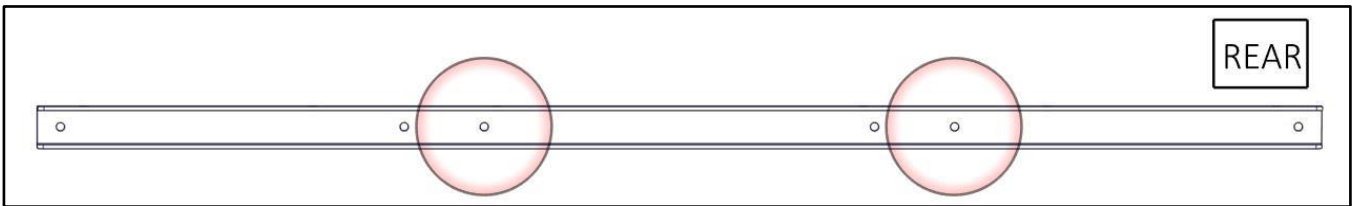
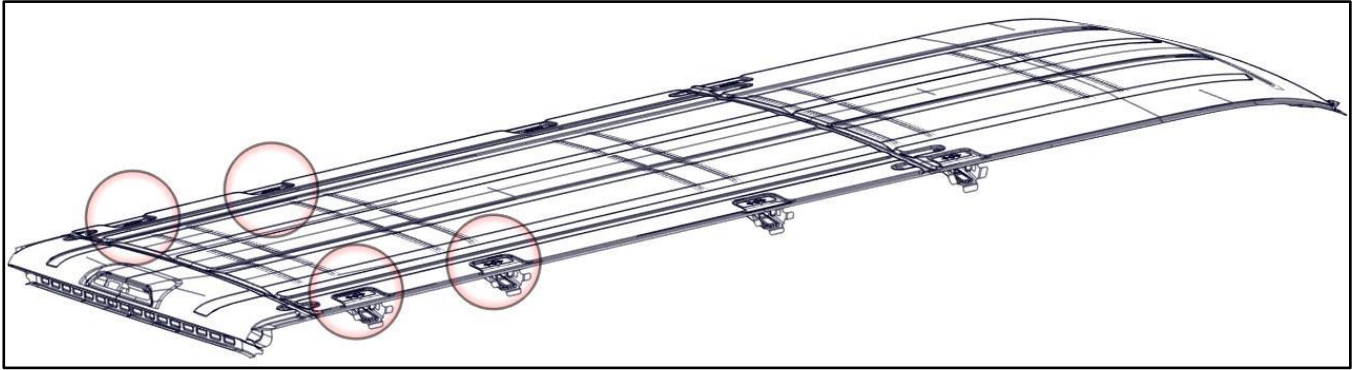


- Place the long mount rail on the roof of the van with the tall flange to the center of the van.
- Using M8 x 45mm bolts with 5/16” lock washer and 5/16” flat washers, bolt through the holes in the rail shown below. **Be sure to place sealant in and around threaded emboss in roof to ensure no water gets into cabin of van.**
- The rail should be offset to the rear of the van as shown.
- **Be sure to put the T-249-01 and rubber pad as shown to comply with the Ford bulletin “Q249”. The rubber pad goes against the roof.**
- Repeat on driver side.
- Snug tighten, allow movement.

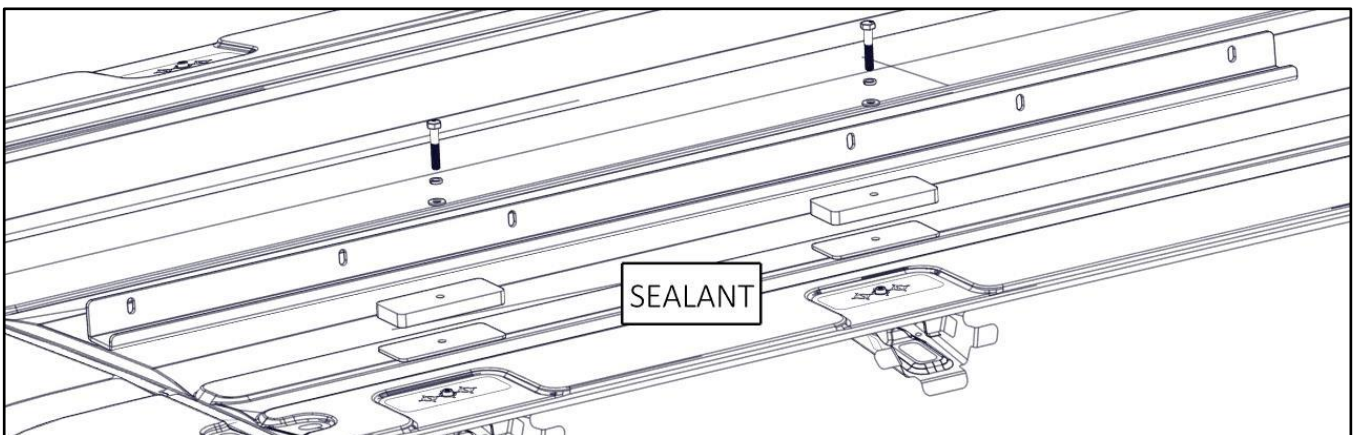
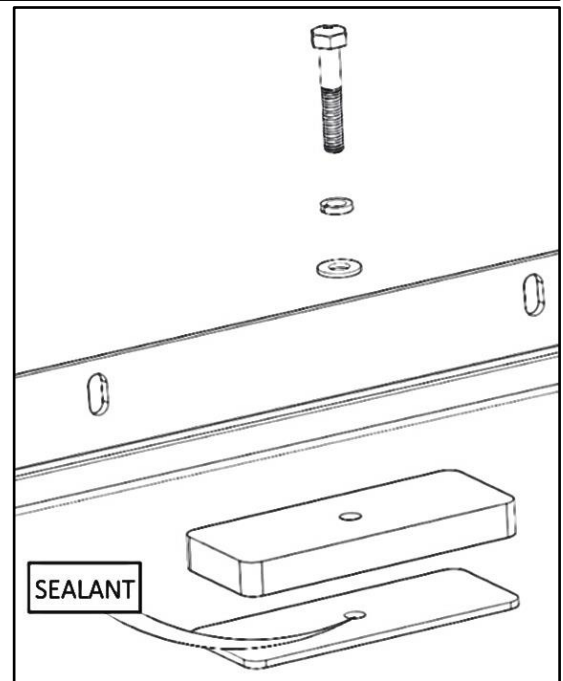


Step 1B – 148” Wheel Base Mounting

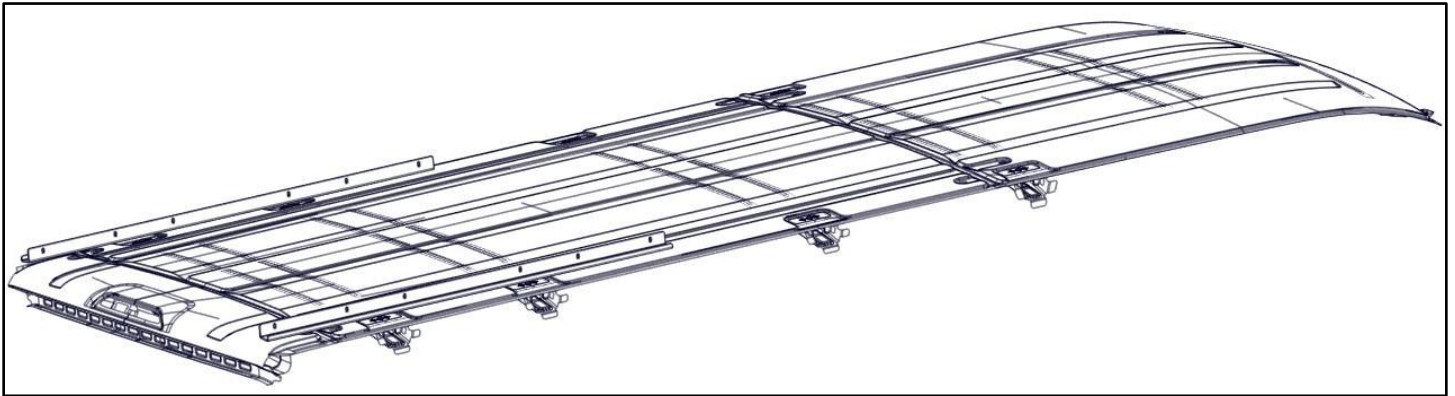
- Locate the threaded emboss at rear of van. Plugs may need to be removed.



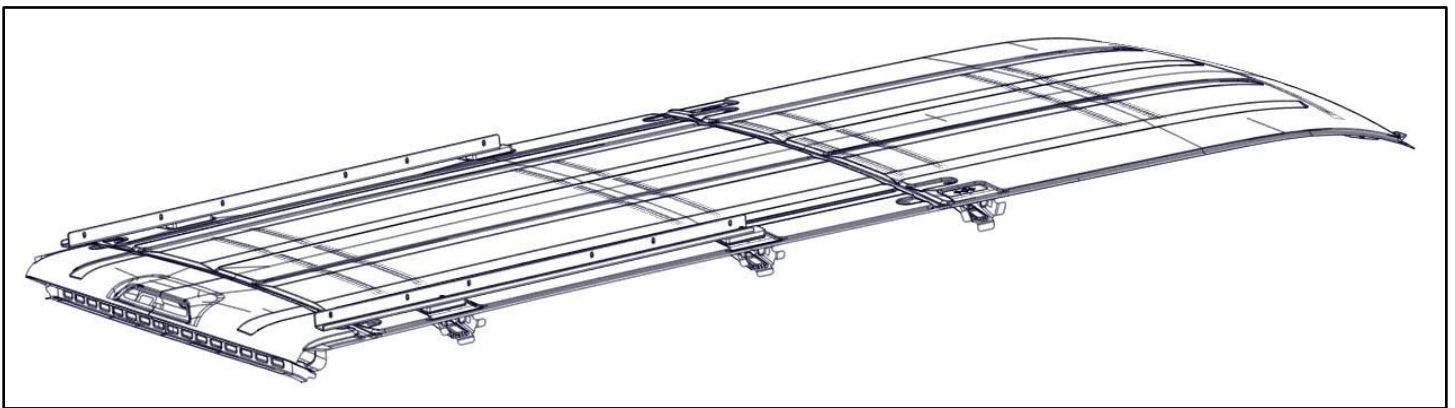
- Using M8 x 45mm bolts with 5/16” lock washer and 5/16” flat washers, bolt through the holes in the rail shown below. **Be sure to place sealant in and around threaded emboss in roof to ensure no water gets into cabin of van.**
- The rail should be offset to the rear of the van as shown.
- **Be sure to put the T-249-01 and rubber pad as shown to comply with the Ford bulletin “Q249”. The rubber pad goes against the roof.**
- Repeat on driver side.
- Snug tighten, allow movement.



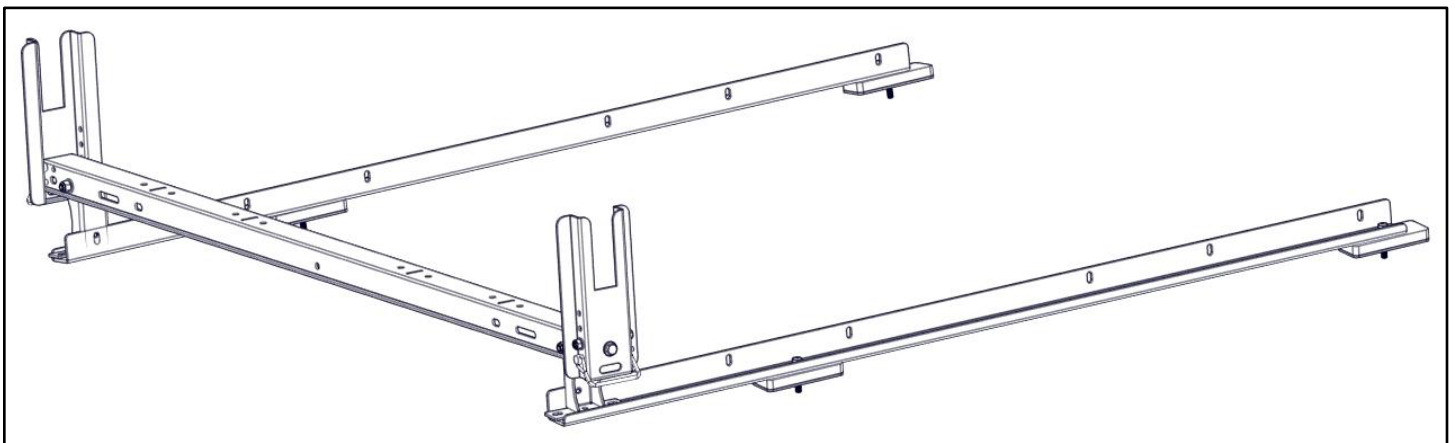
130 WB



148 WB



Use instructions included in the ladder rack to complete installation. Once ladder rack is installed on roof, be sure to TIGHTEN the hardware installed in these instructions.



Shown Above, 4A821 installed on 4A82T.