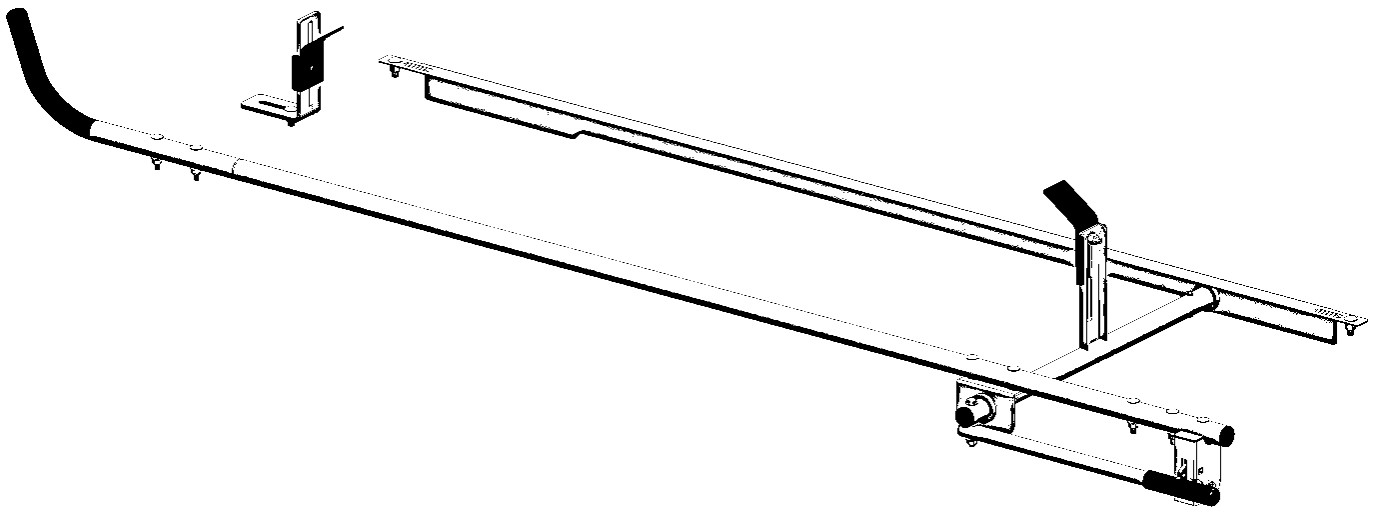


Holman

Instruction Guide 4A85L



Holman
Rancho Cordova, CA 95742
800-343-7486
InstallationSupport@Holman.com

**PLEASE READ ALL INSTRUCTIONS AND WARNINGS PRIOR TO ASSEMBLING,
INSTALLING, AND USING THIS PRODUCT.**

Warning



DO NOT EXCEED MANUFACTURERS WEIGHT CAPACITY FOR ROOF.



**BE SURE LADDER IS SECURE PRIOR TO TRANSPORTATION. Ladder stops
MUST press against ladder in all situations.**

Tools Needed

1/2", 9/16" Sockets and Wrench

1/2", 9/16" Box Wrenches


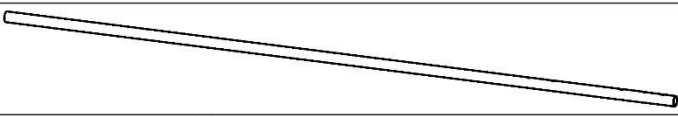


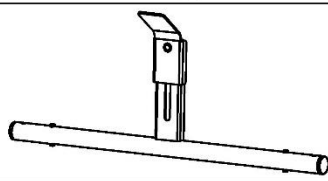

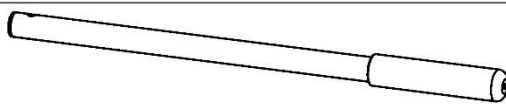
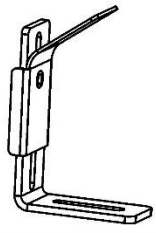
Table of Contents

Before You Begin	1
Parts.....	2
Hardware	3
Step 1 – Remove End Stops	4
Step 2 – Assemble Side Tube	4
Step 3 – Install Side Tube	5
Step 4 – Install Hanger Bracket	6
Step 5 – Install Clamp Tube.....	6
Step 6 – Install Latch Assembly.....	7
Step 7 – Attach Handle	8
Step 8 – Mount Ladder Hook Bracket to Bow	8
Angle Pad Orientations and Locations	10
Clamp Mechanism Orientation and Angled Pad Positions	10
Examples of Ladder Clamps Firmly Against Ladder Rungs	10

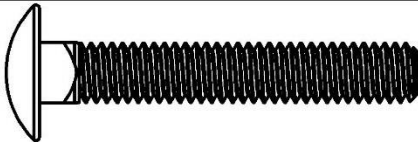
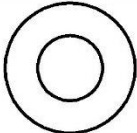

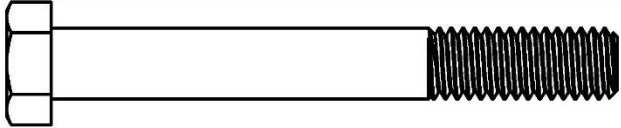
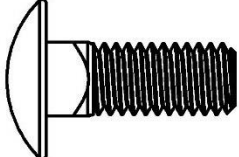
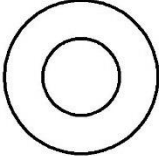
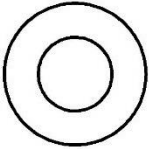
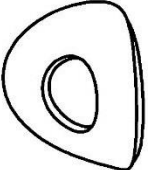

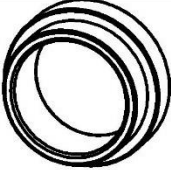
Before You Begin

- Read all instructions prior to assembling or installing any Holman product.
- Always locate your installation locations prior to performing any work.
- **DO NOT EXCEED MANUFACTURERS WEIGHT CAPACITY FOR ROOF.**
- **BE SURE TO ADJUST LADDER CLAMPS ACCORDINGLY TO SECURE LADDER FIRMLY TO RACK. To adjust, refer to Clamp and Lock adjustment guide.**
- This kit is the driver side add-on ONLY.

Parts

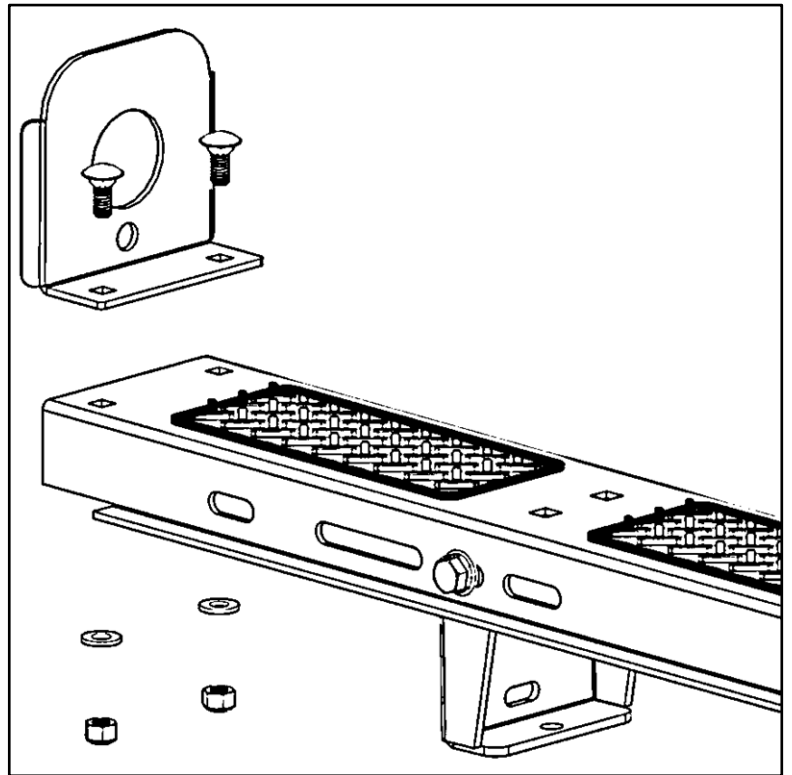
ITEM NO.		PART NUMBER	DESCRIPTION	QTY.
A		4A800-84-003-L	84" L Bracket	1
B		4A800-84	84" Tube	1
C		4A800-52-L	Hook ASM	1
D		11-03027A	Hanger	1
E		4A800-30	Clamp Tube	1
F		4A800-20	Latch ASM	1
G		4A800-40	Handle	1
H		4A800-60	Ladder Stop Assembly	1
		18-4A85L-A	Hardware	1

Hardware

#	TO SCALE	PART NUMBER	DESCRIPTION	QTY.
1		90185A591	5/16"-18 x 2" Carriage Bolt	7
2		90126A030	5/16" Flat Washer	7
3		95615A160	5/16"-18 Lock Nut	7
4		91247A636	3/8"-16 x 3" Hex Head	1
5		90185A624	3/8"-16 x 1" Carriage Bolt	4
6		90126A031	3/8" Flat Washer	5
7		90295A170	3/8" Nylon Washer	1
8		91844A370	3/8" Curved Washer	1
9		95615A140	3/8"-16 Lock Nut	5
10		11-03013	Nylon Bushing	2
11		BH-821	Sealant	1

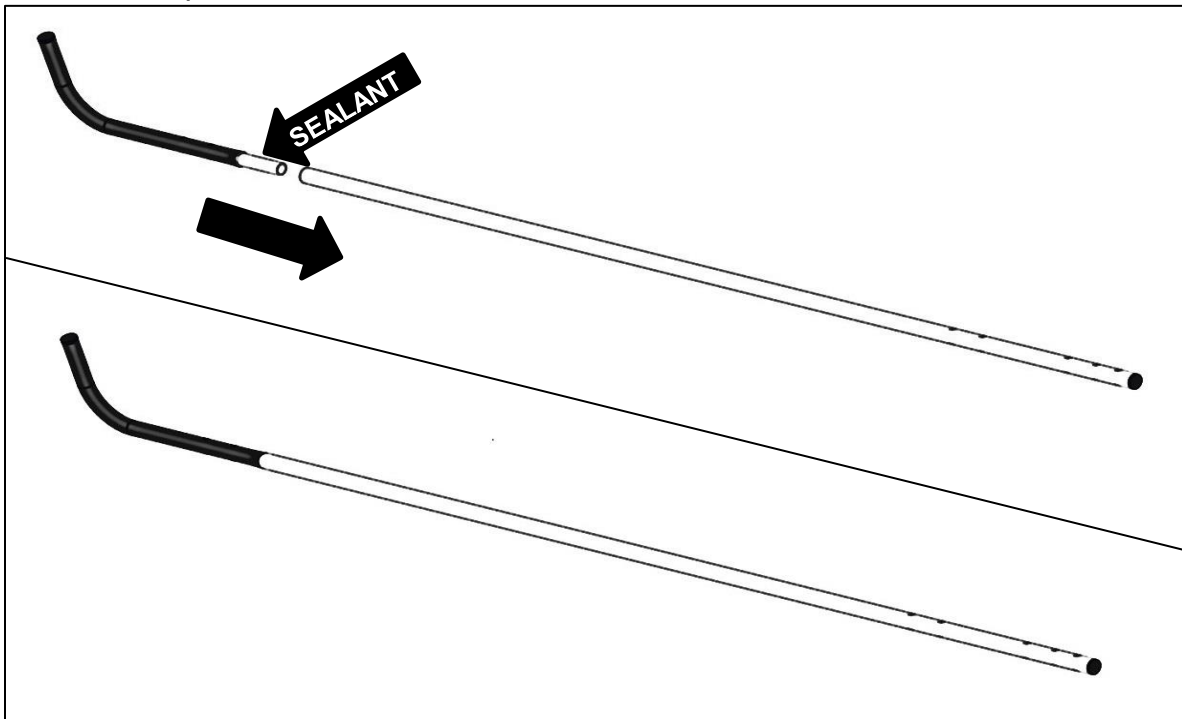
Step 1 – Remove End Stops

- If end stops are currently installed on the ends of the bows, remove ladder stops from both bows.



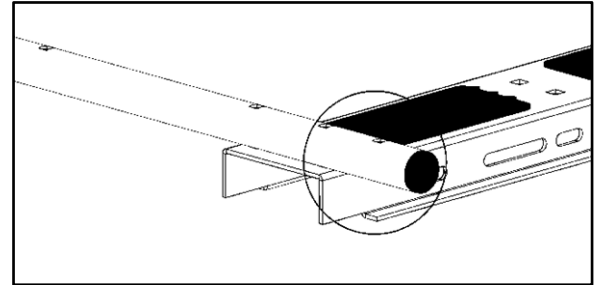
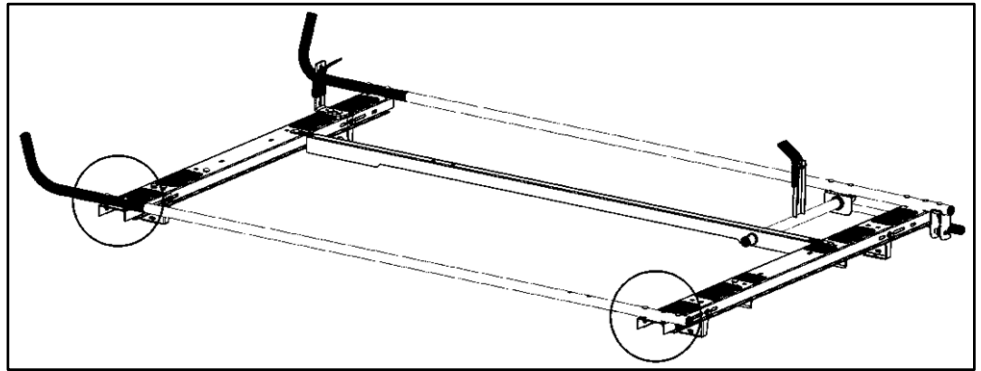
Step 2 – Assemble Side Tube

- Place sealant around swaged end of side support bar.
- Slide side support bar into side tube assembly. **Be sure the holes in each line up.**
- Proceed to next step while sealant is still workable.



Step 3 – Install Side Tube

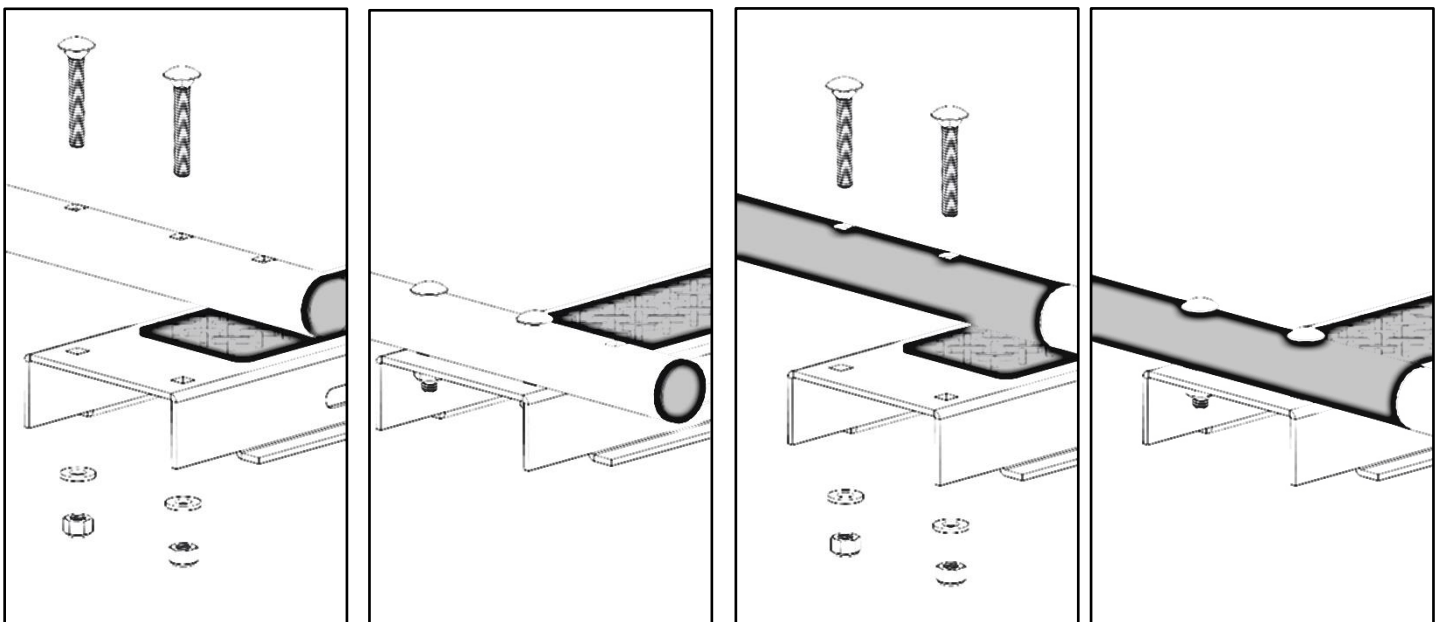
- Place side tube assembly on top of bows.
- Have the bend towards the front and to the outside of the vehicle as shown.
- In some applications, it is easier to assemble rack on top of vehicle.
- Leave one square slot open at the rear of the tube.



- At both the rear and front locations, using two 5/16" x 2" carriage bolts, 5/16" flat washers, and 5/16" lock nuts, attach side tube assembly to the bows.
- Snug tighten, but allow movement.

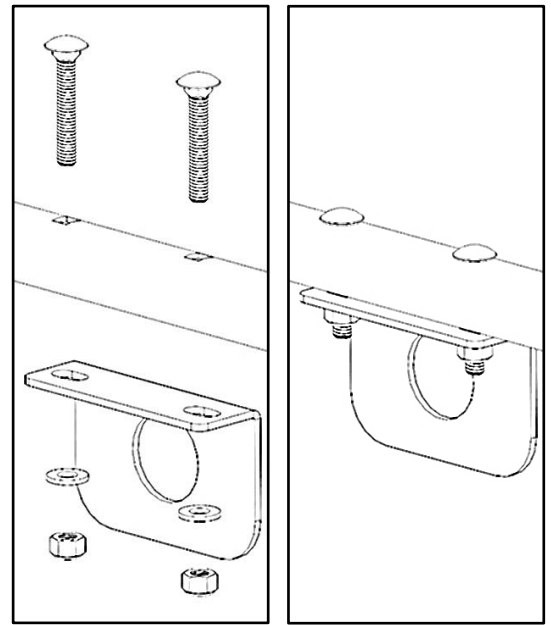
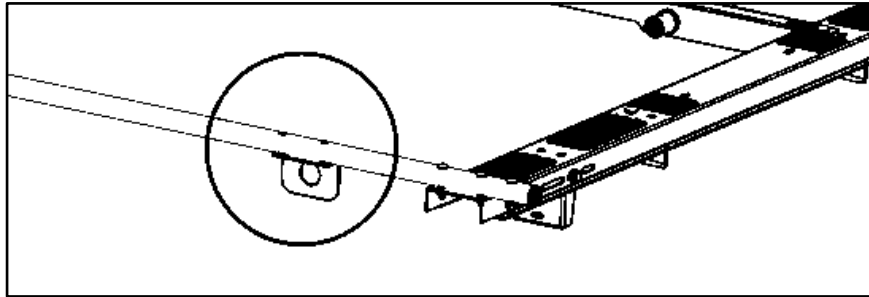
REAR

FRONT



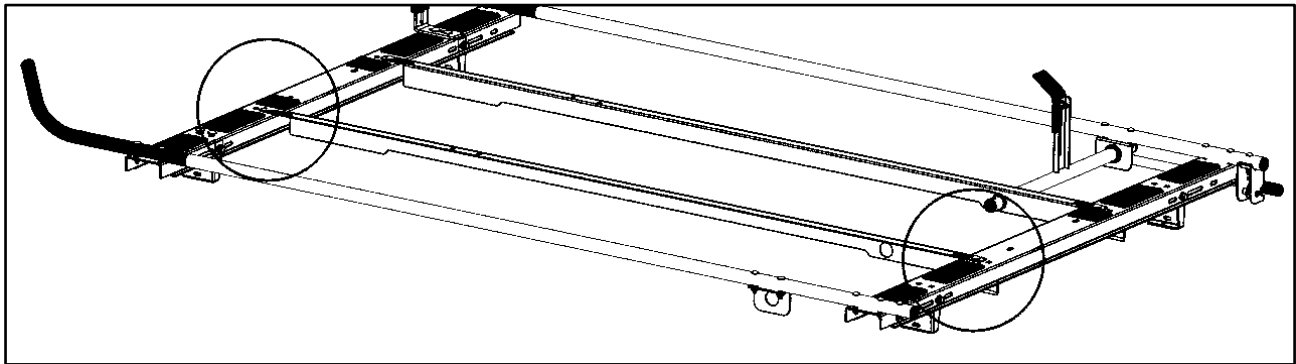
Step 4 – Install Hanger Bracket

- Using two 5/16" x 2" carriage bolts, 5/16" flat washers and 5/16" lock nuts, mount hanger bracket as shown below. **Be sure to have the bracket flange towards the inside of the bows.**

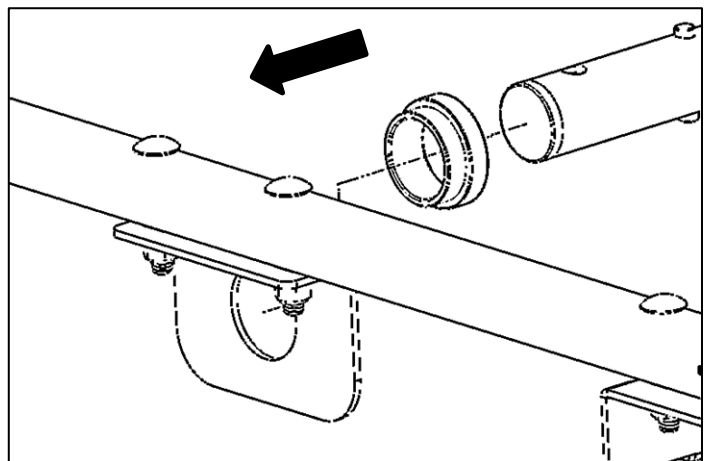
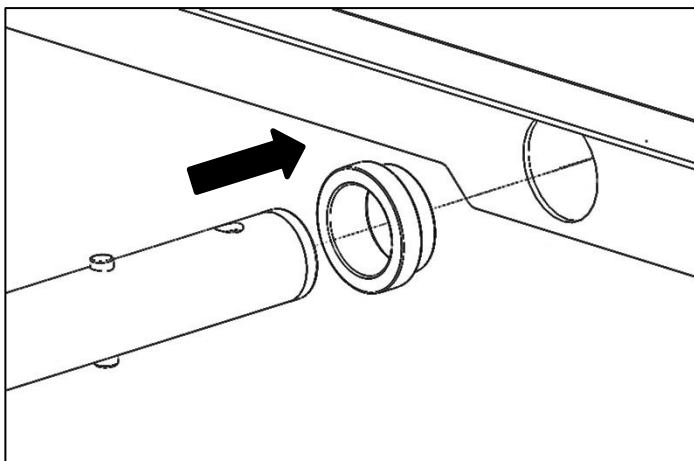


Step 5 – Install Clamp Tube

- Place L-bracket on top of installed bows.

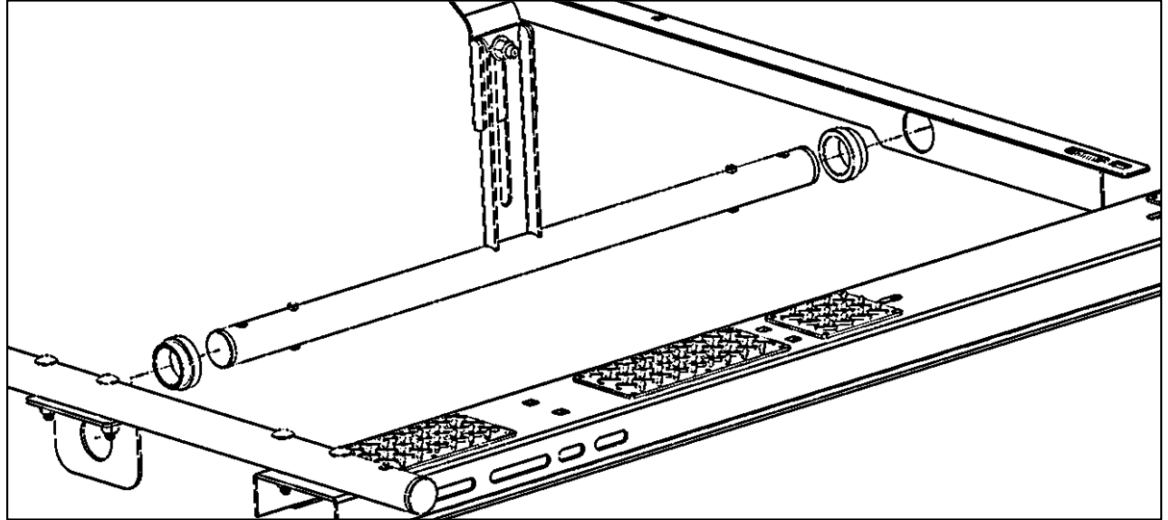


- Insert plastic bushings into the hanger bracket installed in Step 3 and the L-bracket, with flanges toward each other and to the inside, as shown. **Be sure to install the bushings in an orientation so they CANNOT fall out.**

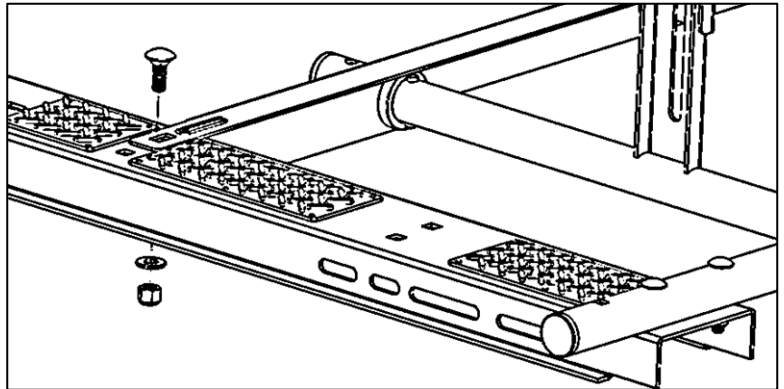


- Insert clamp tube into both plastic bushings.

Ladder clamp on the clamp tube is adjustable. When finished installing rack, clamp must be adjusted to fit firmly against ladder.

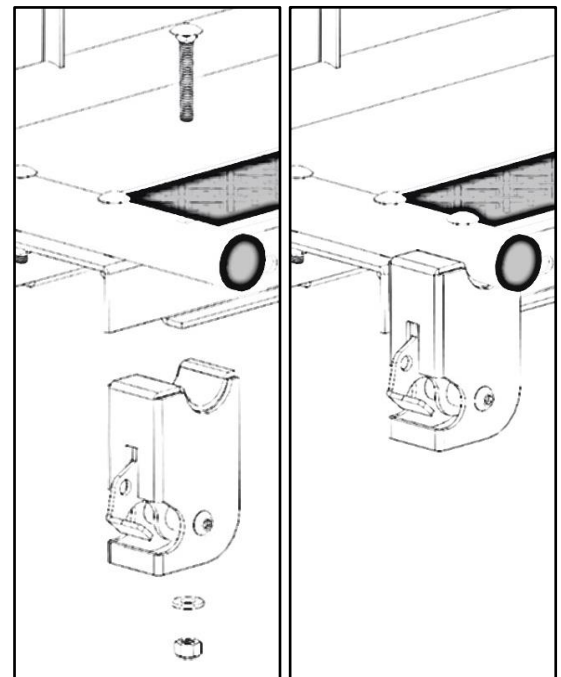


- Bolt L-bracket to bows using 3/8" x 1" carriage bolt, 3/8" flat washer and a 3/8" lock nut as shown.
- Repeat on both bows.
- **TIGHTEN.**



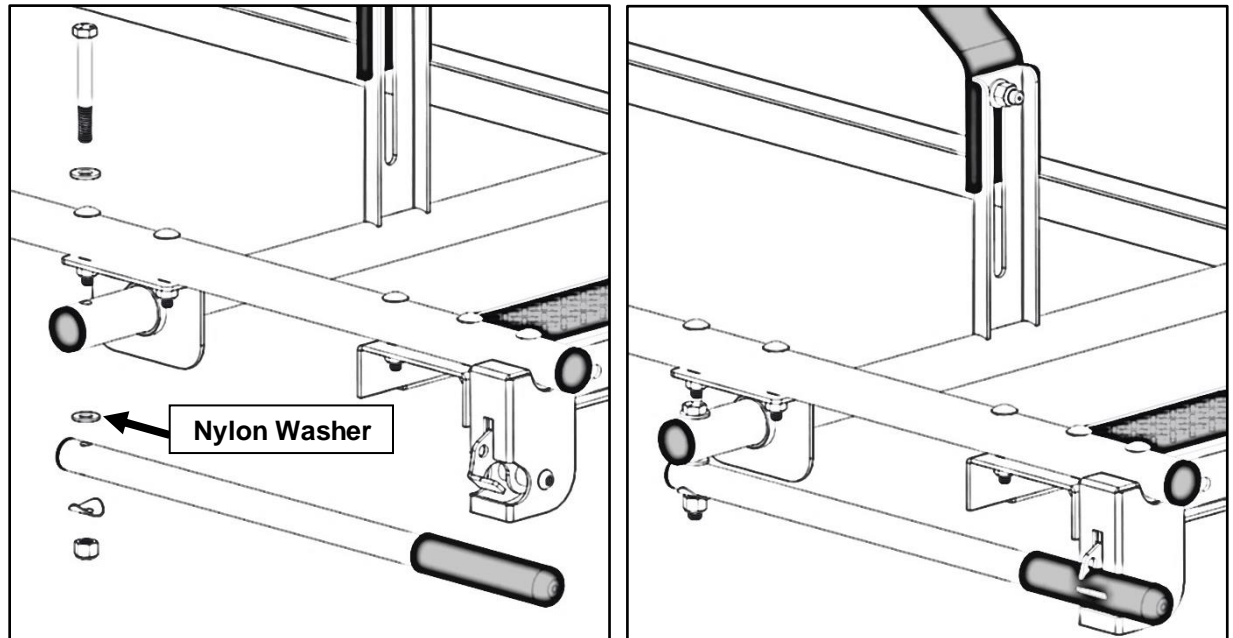
Step 6 – Install Latch Assembly

- Using 5/16" x 2" carriage bolt, 5/16" flat washer and a 5/16" lock nut, bolt latch to the rear of the mount tube that was installed in Step 3.
- **TIGHTEN.**



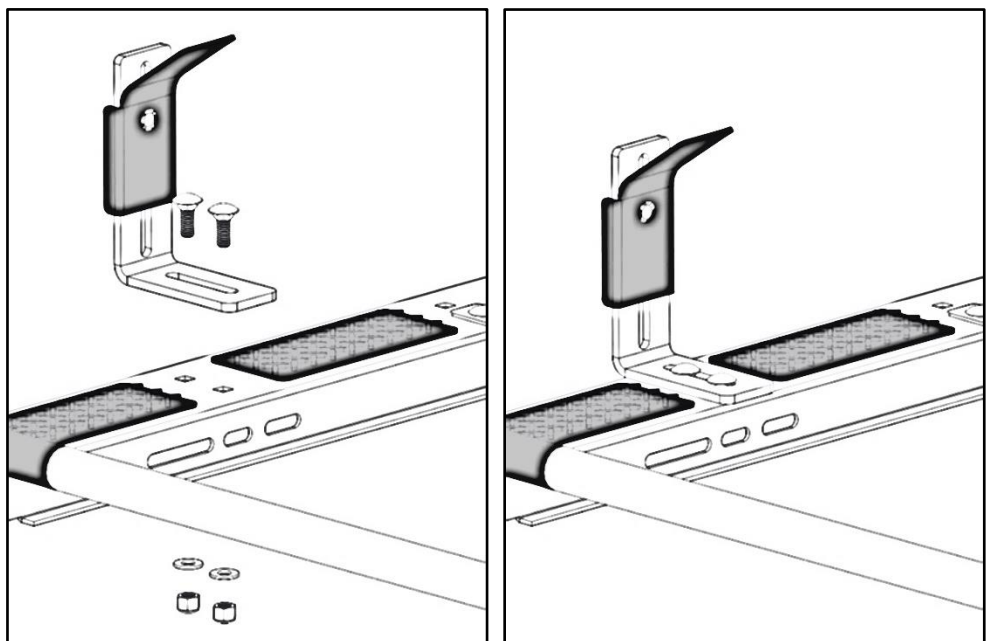
Step 7 – Attach Handle

- Bolt handle to clamp tube using a 3/8" x 3" hex head, a 3/8" flat washer, 3/8" nylon washer, a 3/8" curved washer and 3/8" a lock nut. The nylon washer goes in between the clamp tube and handle. The curved washer goes between the handle and the lock nut as shown.
- **TIGHTEN** but **DO NOT** overtighten. Handle should move freely.



Step 8 – Mount Ladder Hook Bracket to Bow

- Bolt ladder hook bracket to the bow in the orientation shown using two 3/8" x 1" carriage bolts, 3/8" flat washers, and 3/8" lock nuts. **Be sure the bracket is square to the bow.**
- Adjust clamp on bracket to fit firmly against your ladder.
- **TIGHTEN.**

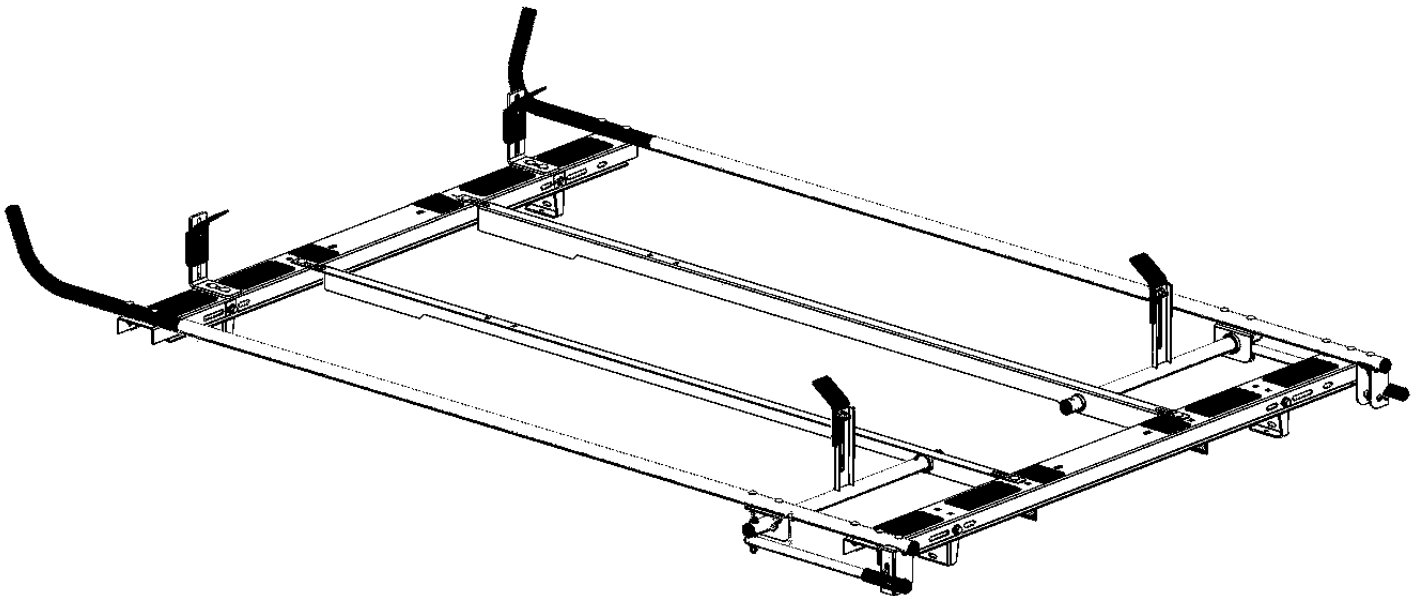


GO BACK AND ENSURE ALL HARDWARE IS TIGHT.

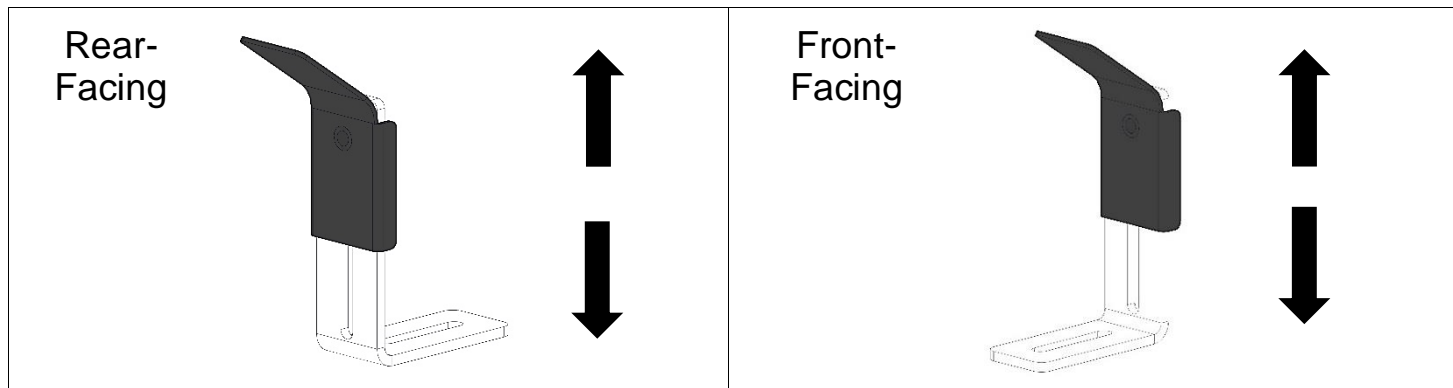
Your installation is now complete.

Refer to the Clamp and Lock Adjustment instructions to adjust the rack to your ladder.

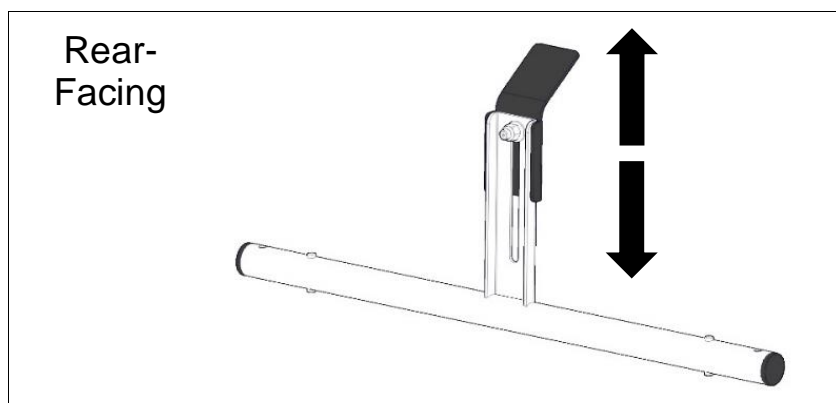
BE SURE LADDER IS SECURE PRIOR TO TRANSPORTATION.



Angle Pad Orientations and Locations

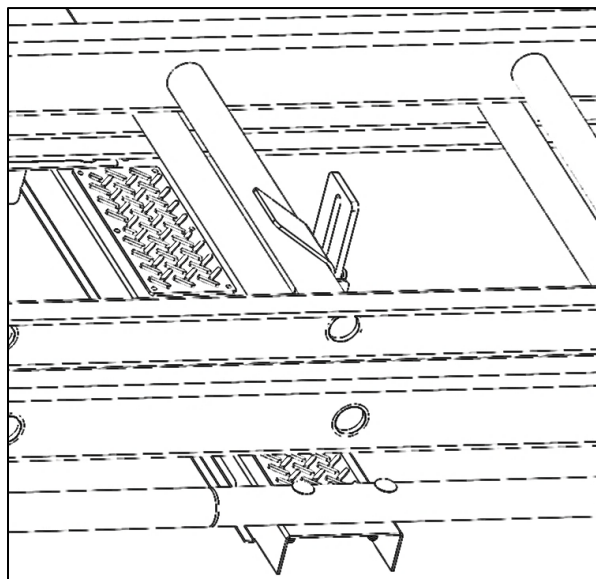
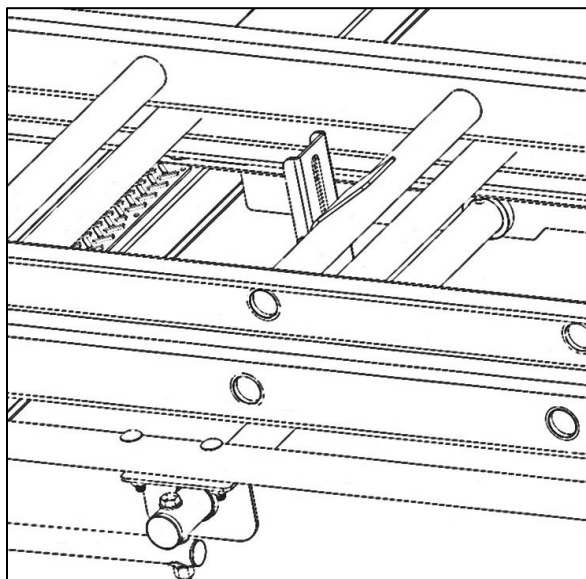


Clamp Mechanism Orientation and Angled Pad Positions



Examples of Ladder Clamps Firmly Against Ladder Rungs

- Be sure to position the ladder hook in a way so the hook clamps the ladder tight into place. A tight fit ensures the ladder cannot fall off the rack.



BE SURE THE LADDER HOOKS ARE FIRMLY AGAINST THE LADDER STEPS OR RUNGS.