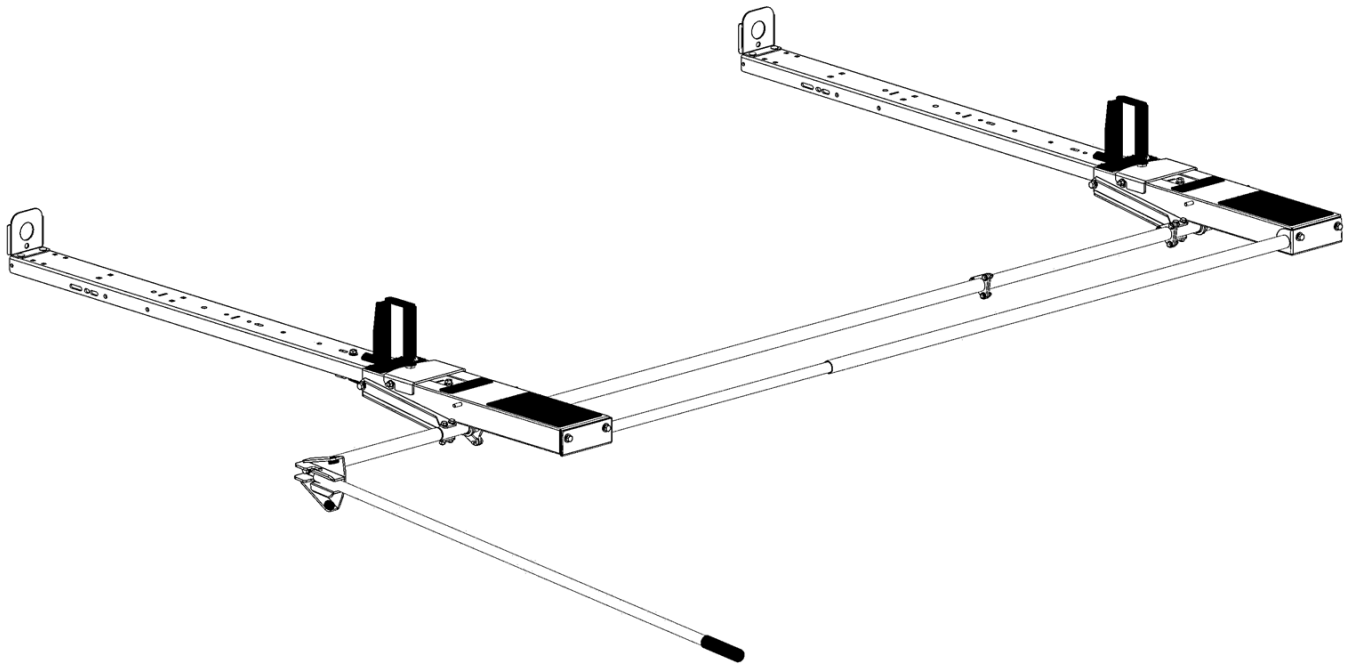


Holman

Installation Guide

4A93M



Holman
Rancho Cordova, CA 95742
800-343-7486
InstallationSupport@Holman.com

PLEASE READ ALL INSTRUCTIONS AND WARNINGS PRIOR TO ASSEMBLING, INSTALLING, AND USING THIS PRODUCT.

Warning



Always check for wires, fuel tanks and lines, brake lines and other important vehicle functionality items prior to drilling and installing all products.



DO NOT EXCEED MANUFACTURERS WEIGHT CAPACITY FOR ROOF.

Tools Needed

9/16" Wrench and Socket	7/16" Wrench and Socket
1/2" Wrench and Socket	3/8" Wrench and Socket
1/4" Drill	Phillips Driver

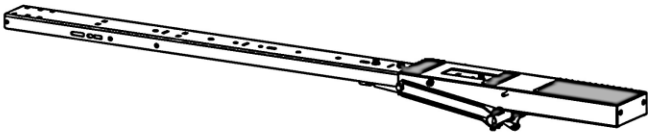
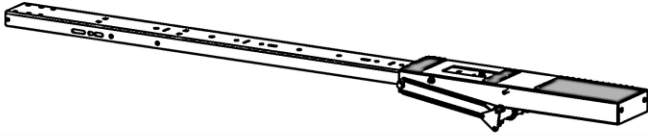


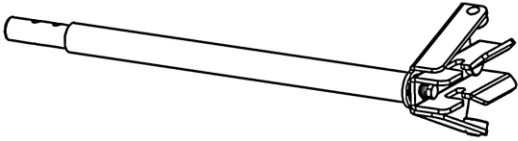
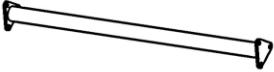
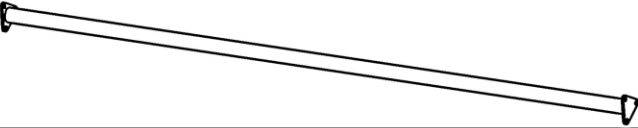
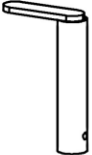
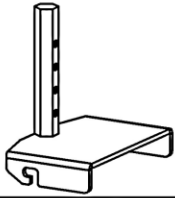


Table of Contents

Parts List.....	2
Hardware	3
Step 1 – Install Load Plates	4
Step 2 – Determine Front and Rear Bow	5
Step 3 – Install Ladder Clamps and Stops.....	6
Step 4 – Install Ladder Hooks.....	7
Step 5 – Install Handle Mount.....	7
Step 6 – Place Bows on Vehicle.....	9
Step 7 – Determine if the Extension is Needed	10
Step 8 – Install Torque Tube	10
Step 9 – Install End Tube	11
Step 10 – Install Clips for Handle	12

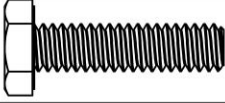
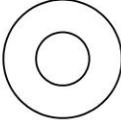
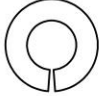

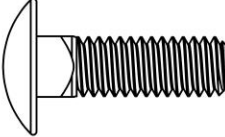
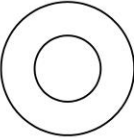

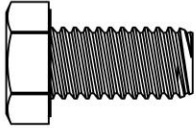
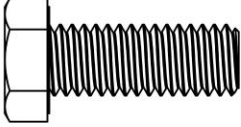
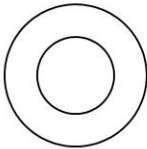
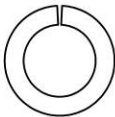
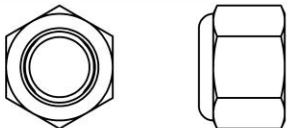
Before You Begin

- Read all instructions prior to assembling or installing any Holman product.
- **Be sure vehicle specific mount kit is installed on vehicle prior to installing rack.**
- Place sealant around all swage connections.
- **DO NOT EXCEED MANUFACTURERS WEIGHT CAPACITY FOR ROOF.**
- **BE SURE TO ADJUST LADDER CLAMPS ACCORDINGLY TO FIRMLY SECURE LADDER TO RACK.**

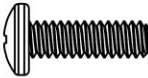

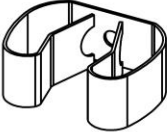
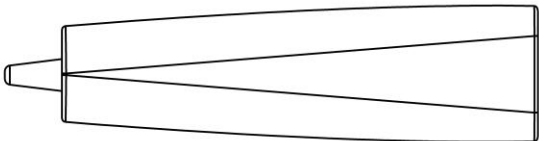
Parts List

ITEM		PART NO.	DESCRIPTION	QTY.
A		4A93L-1	REAR BOW	1
B		4A93L-2	FRONT BOW	1
C		4A93L-7	END TUBE ASSEMBLY	1
D		40800-13	HANDLE	1
E		100531	HANDLE MOUNT	1
F		4A93L-51	TORQUE TUBE EXTENSION	1
G		4A93L-50	TORQUE TUBE	1
H		4A900-35	LADDER HOOK	2
J		4A900-36	LADDER HOOK BASE	2
K		4A900-30-004-R3	LADDER STOP	2
L		4A900-10-008-R2	LOAD PLATE	2
		18-4A93M	HARDWARE KIT	1

Hardware

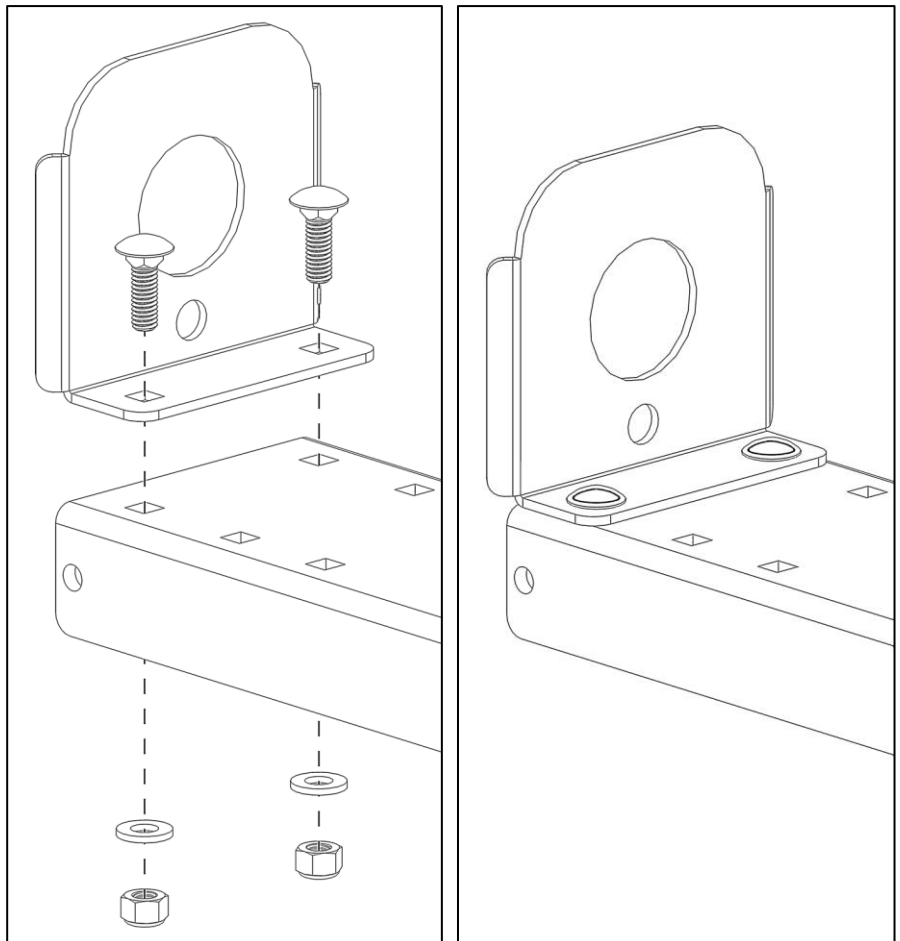
ITEM	HARDWARE TO SCALE	PART NUMBER	DESCRIPTION	QTY.
1		13005	1/4-20 X 1" HEX HEAD BOLT	11
2		33078	1/4" FLAT WASHER	20
3		1133618	1/4"-20 LOCK WASHER	2
4		37018	1/4"-20 NYLON INSERT LOCK NUT	9
5		21811	5/16-18 X 1" CARRIAGE BOLT	6
6		92141A030	5/16" Flat Washer	6
7		0169777	5/16"-18 NYLOC	6
8		11241196	3/8-16 X 3/4" HEX HEAD BOLT	4
9		11241197	3/8-16 X 1" HEX HEAD BOLT	1
10		1133082	3/8" WASHER	6
11		0123496	3/8" SPLIT LOCK WASHER	4
12		0169791	3/8"-16 LOCK NUT	1

Hardware (Continued)

ITEM	HARDWARE TO SCALE	PART NUMBER	DESCRIPTION	QTY.
13		74803	10-24 X 5/8" PHILLIPS HEAD SCREW	2
14		37014	10-24 NYLON INSERT LOCK NUT	2
15		1723A64	Vinyl-Coated Holder, 3/4" -1-1/8" Tool Diameter	2
16		SEALANT - 60ml	Self Leveling Adhesive Sealant	1

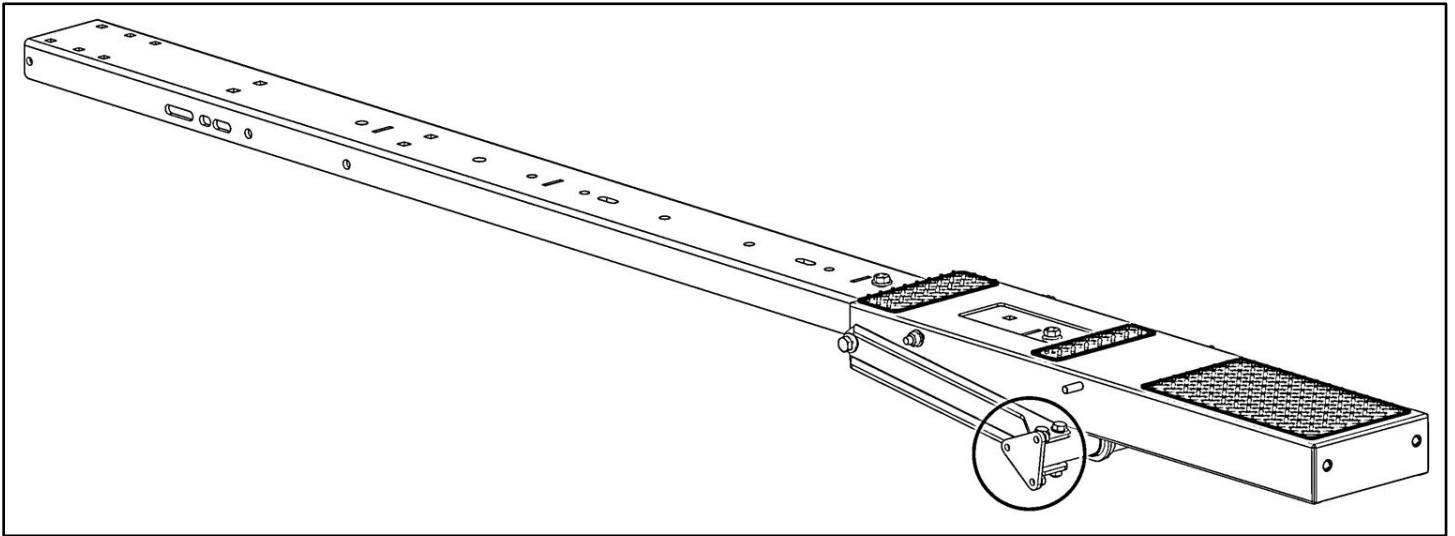
Step 1 – Install Load Plates

- If installing a driver-side ladder rack add-on, skip this step.
- At the end of each bow, opposite from the pan mechanism, attach the load plates using two 5/16" x 1" carriage bolts, two 5/16" flat washers and two 5/16" lock nuts as shown.
- Repeat on both bows.
- TIGHTEN.

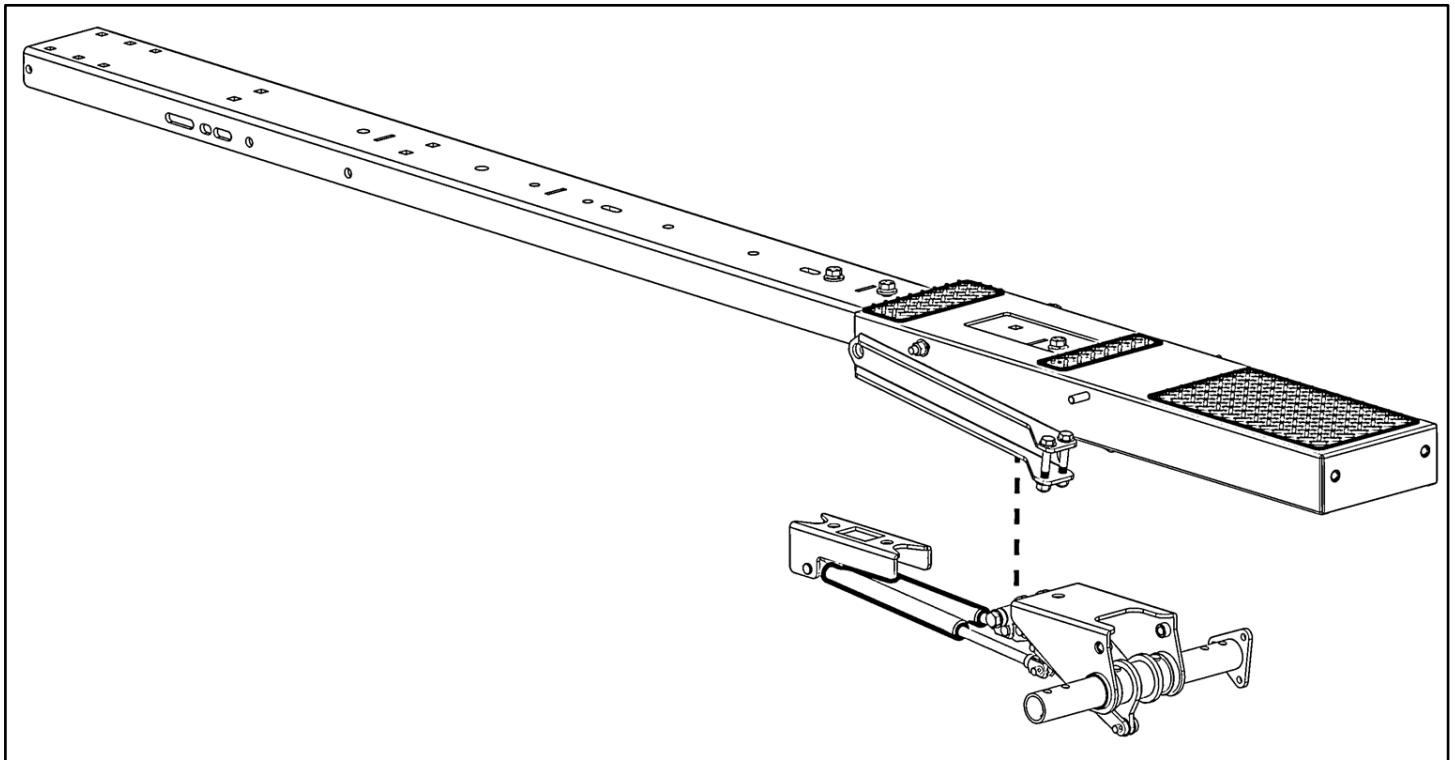


Step 2 – Determine Front and Rear Bow

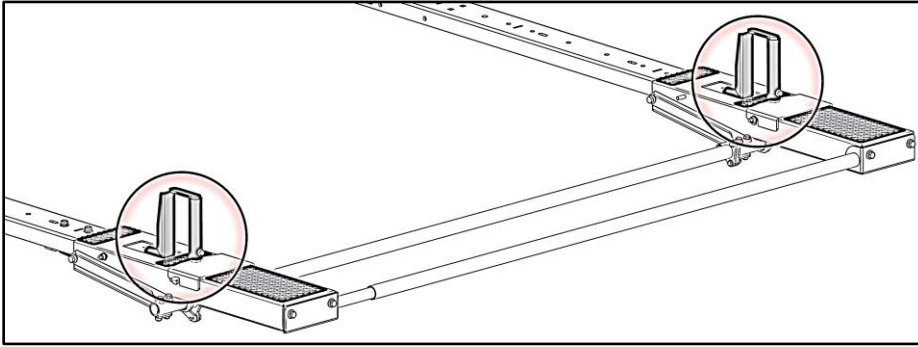
- The front bow is shown below. This bow does **NOT** have a dampening mechanism on the underside.



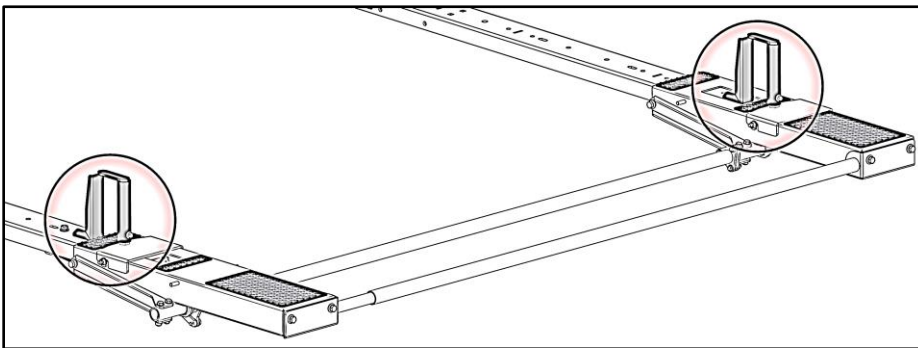
- The rear bow is shown below. This bow has the dampening mechanism assembled on the underside.
- **Also, notice the triangular mount attached to the tube. This helps distinguish the front from the rear bows.**



Step 3 – Install Ladder Clamps and Stops

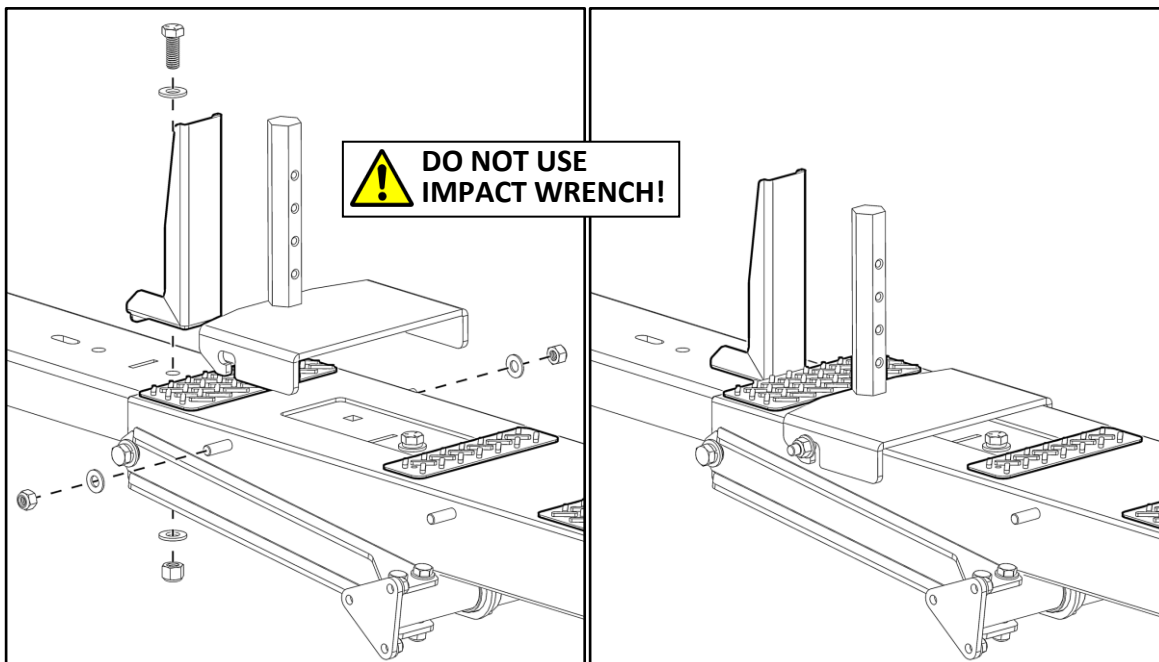


Location of ladder clamps and stops for standard extension ladders.

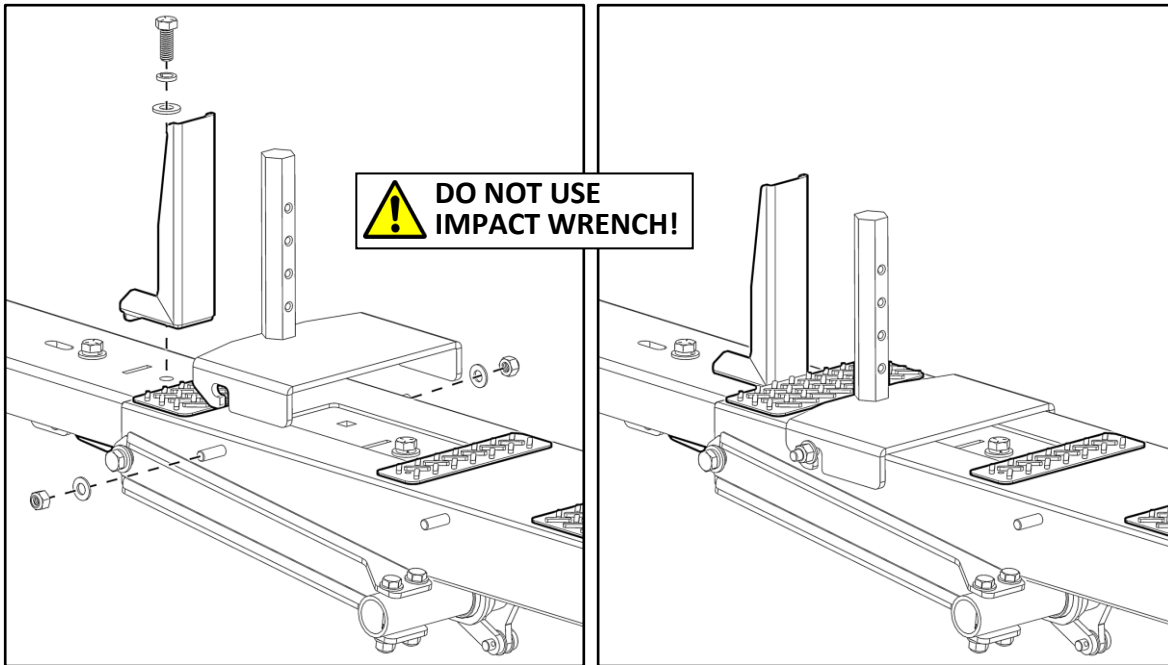


Location of ladder clamps and stops for standard step ladders.

- Determine which location the ladder bow and ladder stop need to be installed.
- On the front bow, position the ladder stop in the desired location. **Be sure the slot of the ladder stop aligns with the slot in the bow.**
- Bolt the ladder stop in place using a 3/8" x 1" hex head bolt, two 3/8" flat washer and a 3/8" lock nut in the orientation shown.
- Place the ladder hook base around the threaded studs near the ladder stop and attach using 5/16" flat washers and 5/16" lock nuts. This can be adjusted.



- On the rear bow, position the ladder stop in the desired location. **Be sure the slot of the ladder stop aligns with the slot in the bow.**
- Bolt the ladder stop in place using 3/8" x 1" hex head bolt, 3/8" split lock washer and a 3/8" flat washer in the orientation shown.
- Place the ladder hook base around the threaded studs near the ladder stop and attach using 5/16" flat washers and 5/16" lock nuts. **The ladder hook is adjustable to fit specific ladder sizes.**

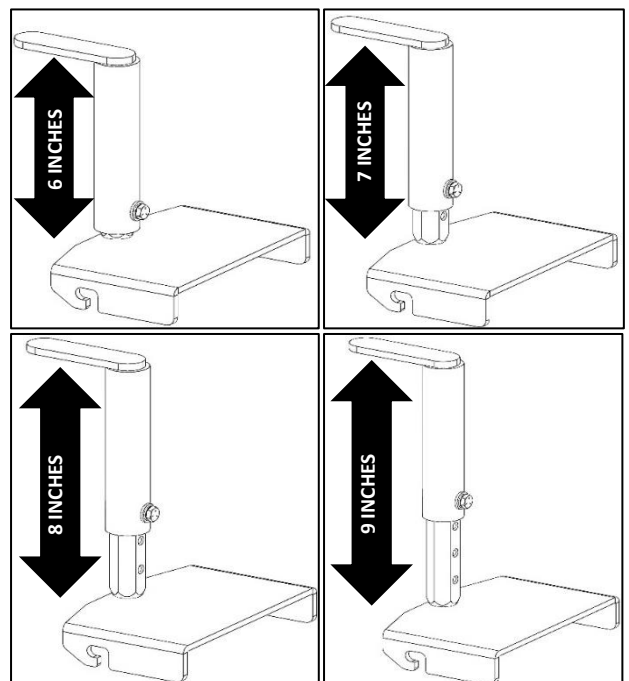


Step 4 – Assemble Ladder Hooks

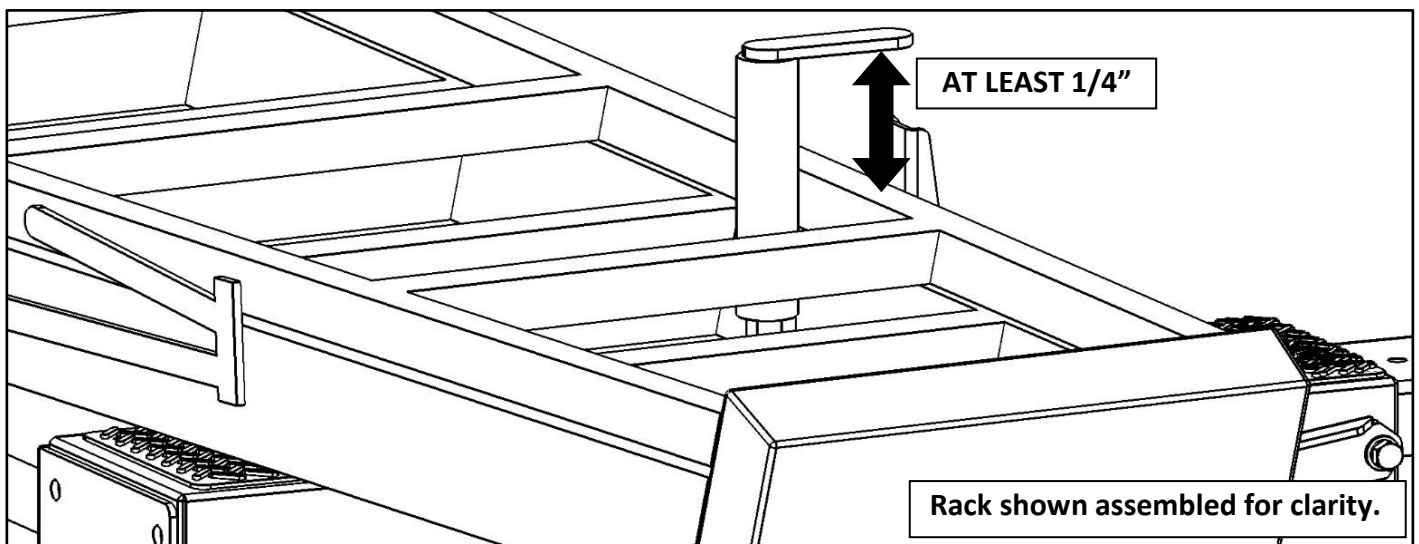
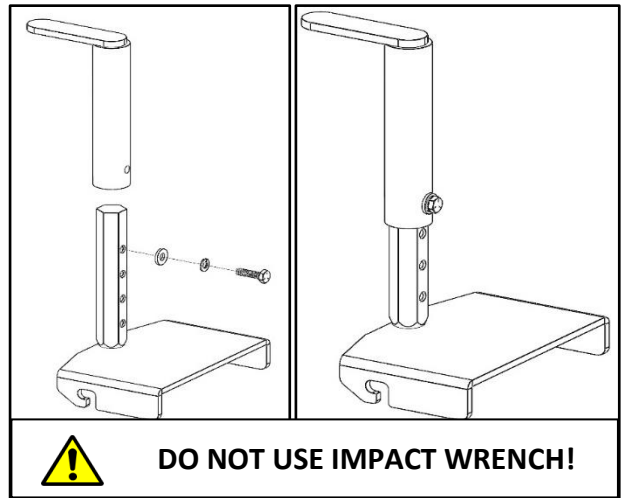
Note: Before use the ladder hook must be adjusted to an appropriate height for the ladder that will be used. The height of the hook needs to be at least 1/4" greater than the ladder. The ladder should fit loosely on the hook, not snug.

- Measure the thickness of the ladder that will be used and determine the appropriate mounting hole on the ladder hook weldment that will allow for a loose fit.
- **Be sure the height of the hook is AT LEAST 1/4" GREATER THAN the thickness of your ladder.**
- If you are unsure of the thickness of the ladder that will be used, set the height of the hook to the highest setting (9 inches) and adjust it later.

NOTE: Roof height clearance is affected by the hook mounting location used. Please verify and be aware of the total height of the vehicle with rack installed.

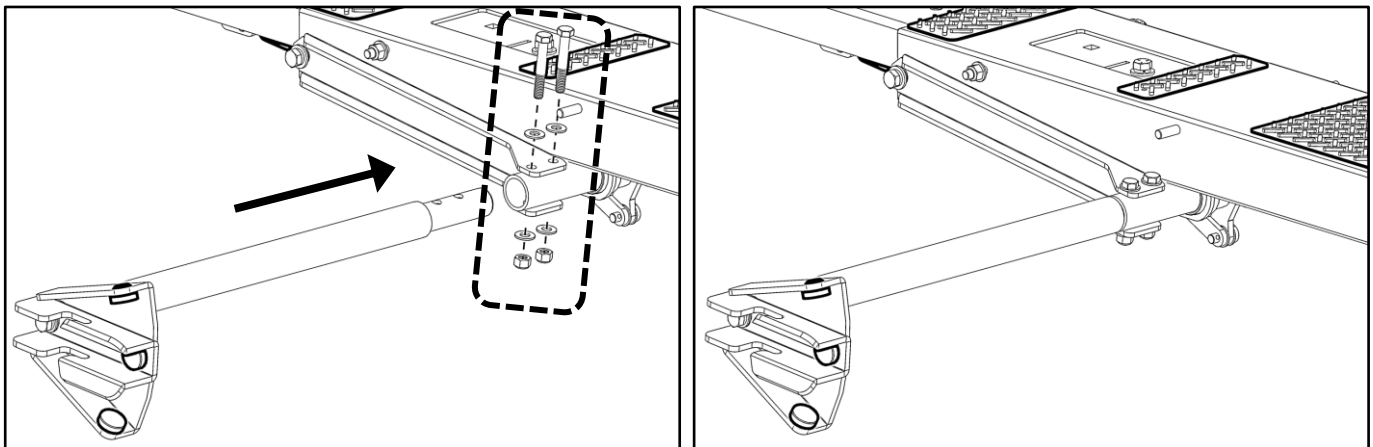


- Using a 1/4" x 1" hex head, a 1/4" lock washer and a 1/4" flat washer, bolt ladder hook assembly to ladder hook weldment using the previously determined mounting location.
- Tighten.



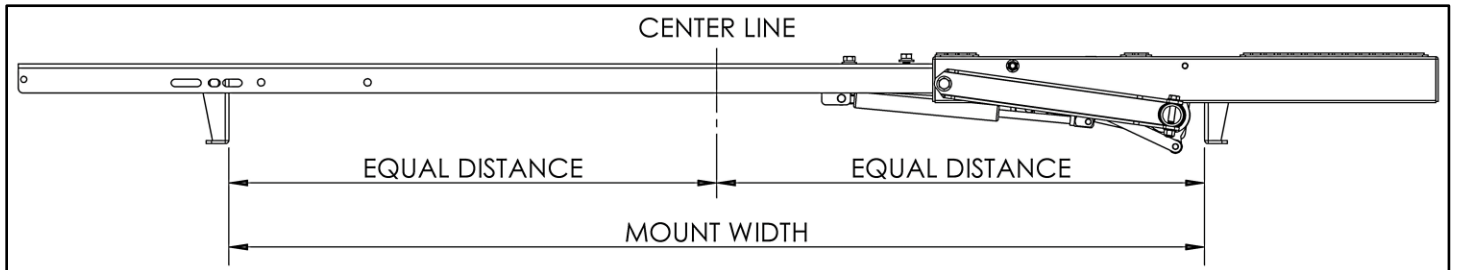
Step 5 – Install Handle Mount

- On the rear bow, remove the hardware from the tube as shown. Apply sealant around the swage connection to prevent rust.
- Insert handle mount into the tube in the orientation shown.
- Bolt the handle into place using the previously removed hardware.



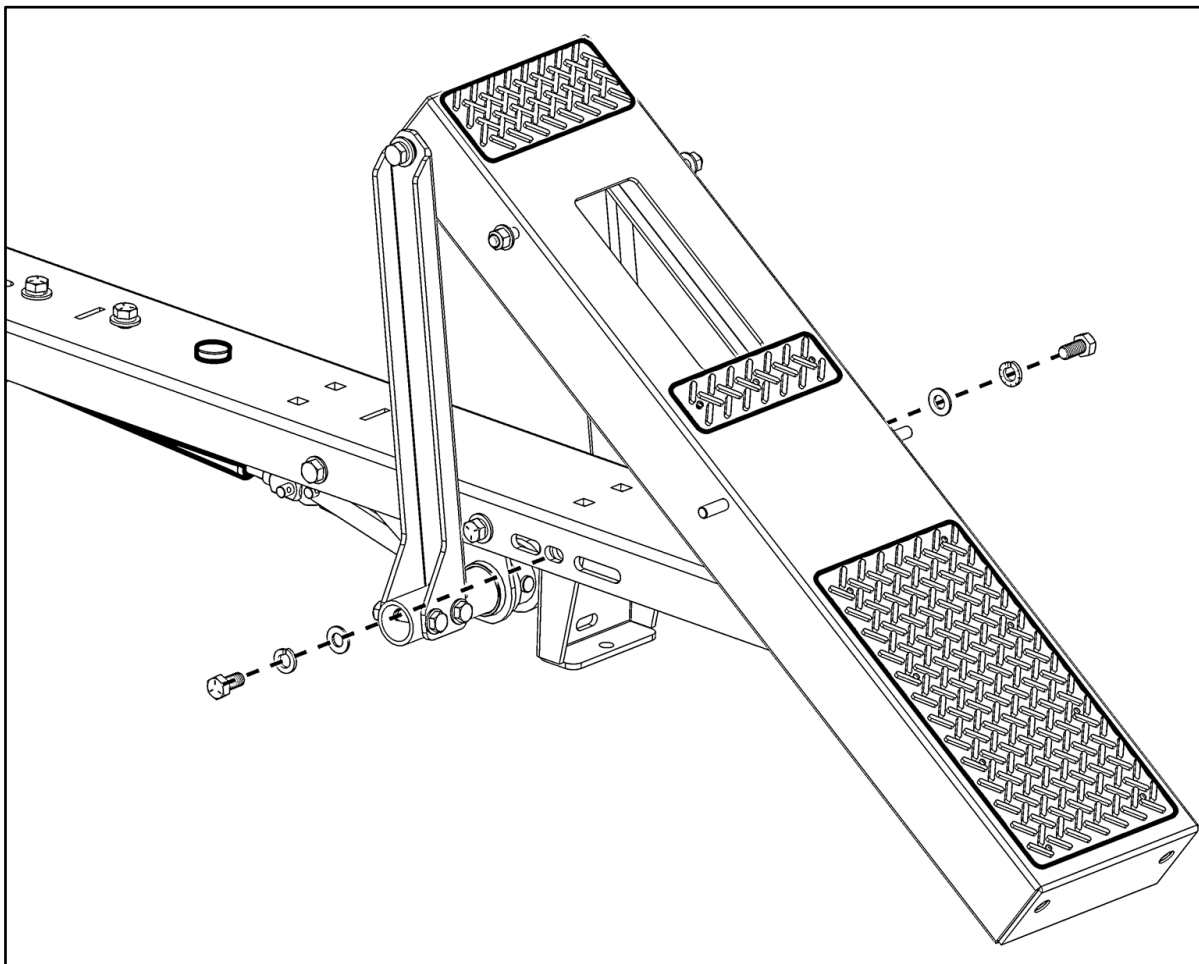
Step 6 – Place Bows on Vehicle

- **Be sure to have the vehicle specific mounting installed on vehicle.**
- Place the front bow on top of the front most mounts and the rear bow on the rear most mounts. The rear bow is the bow assemble with the handle mount installed.
- **Be sure there is an equal distance from the center of the cross bow to each foot.**



- Place a foam block from the packaging to hold the bow in the up position in order to access the mounting slots.
- Leave hardware loose until the rack is assembled.
- Repeat on both ends of both bows.

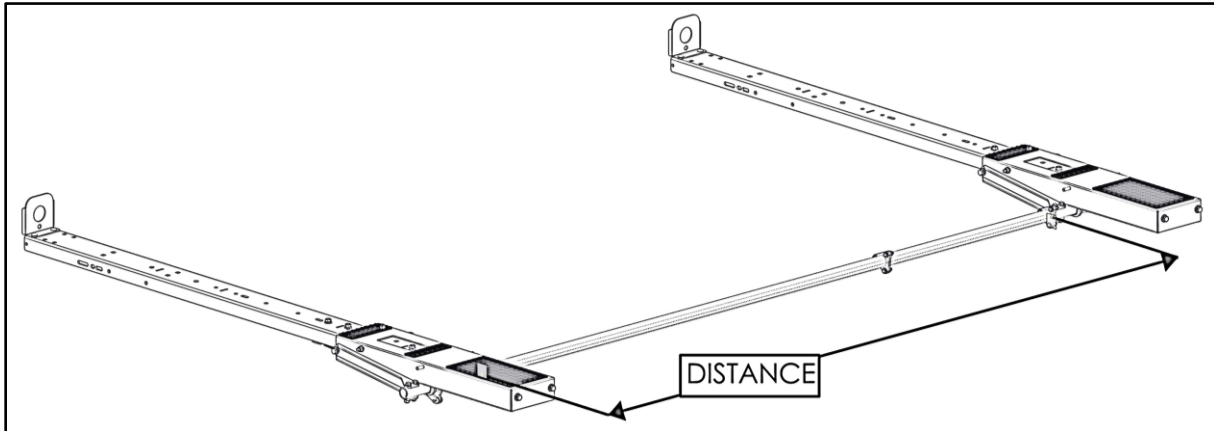
Bow and feet may vary from installation to installation. Mounting slots on bow and foot orientation will vary.



Step 7 – Determine if the Extension is Needed

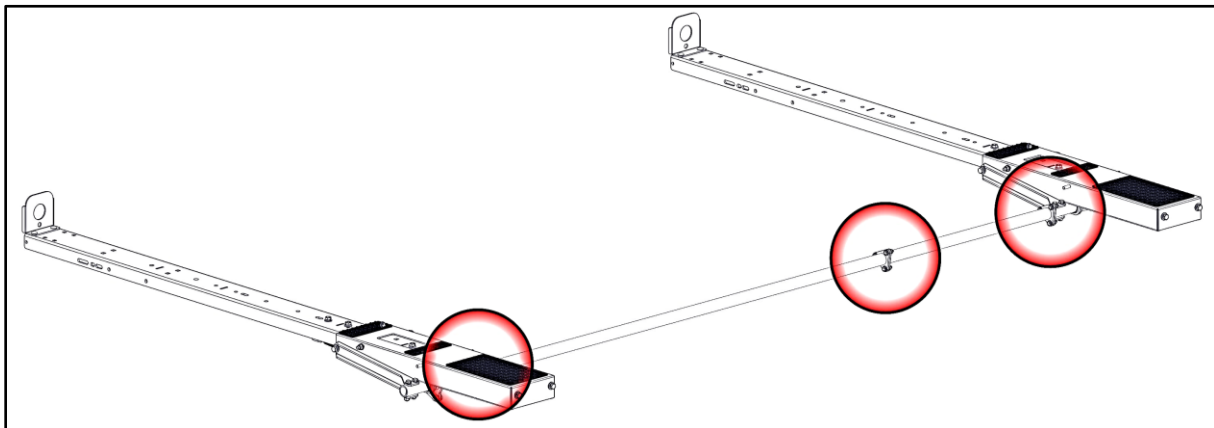
- Measure the distance between the two bows as shown. If the distance is approximately **84.5"**, the extension will be needed.
- If the distance between the two bows is approximately **60"**, the extension piece is **NOT** needed.

Note: Picture shown below has the extension installed.

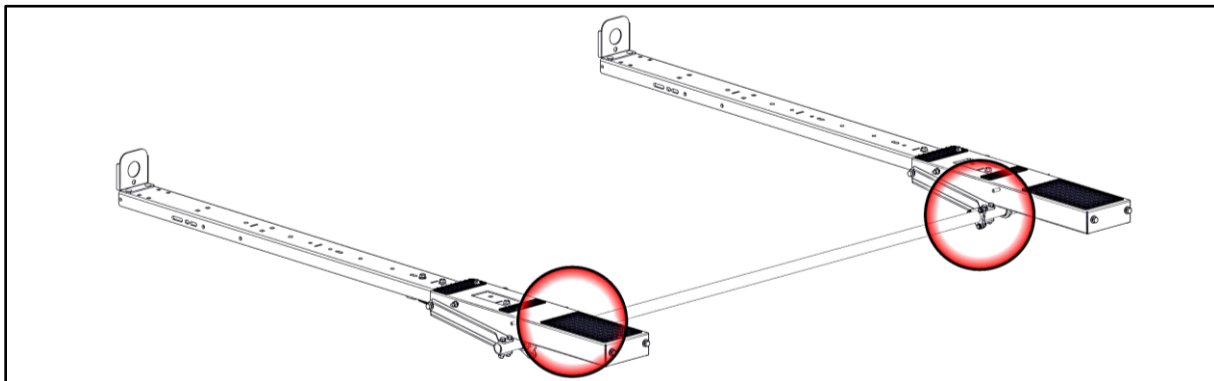


Step 8 – Install Torque Tube

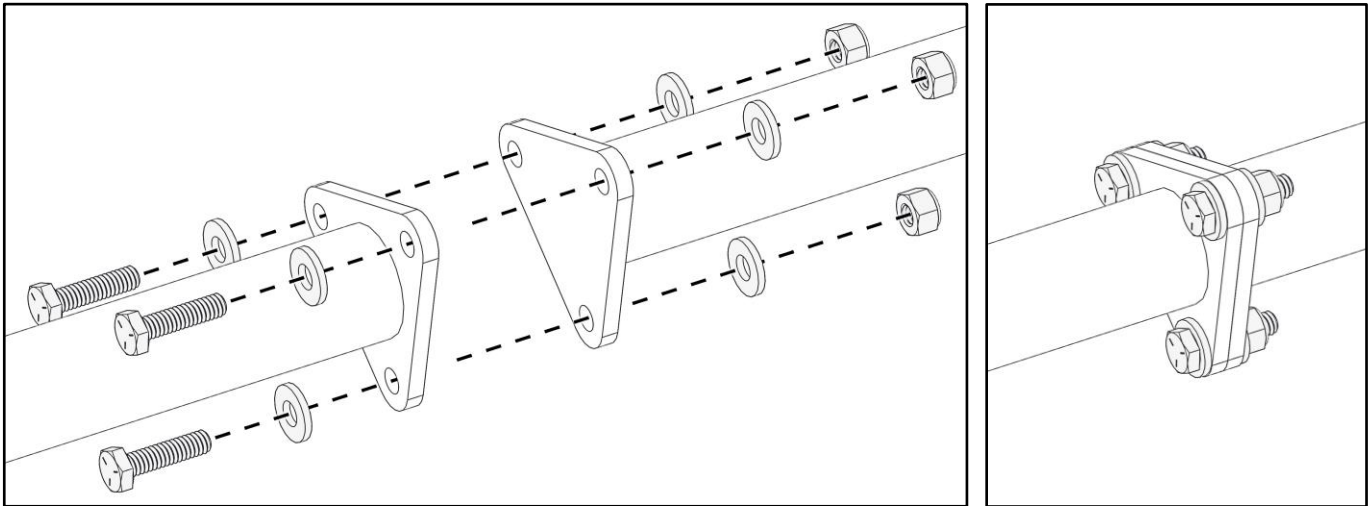
- If the extension is needed, assemble the extension to the torque tube the same way the torque tube attaches to the bows.



- If the extension is **NOT** needed, use only the torque tube as shown below.

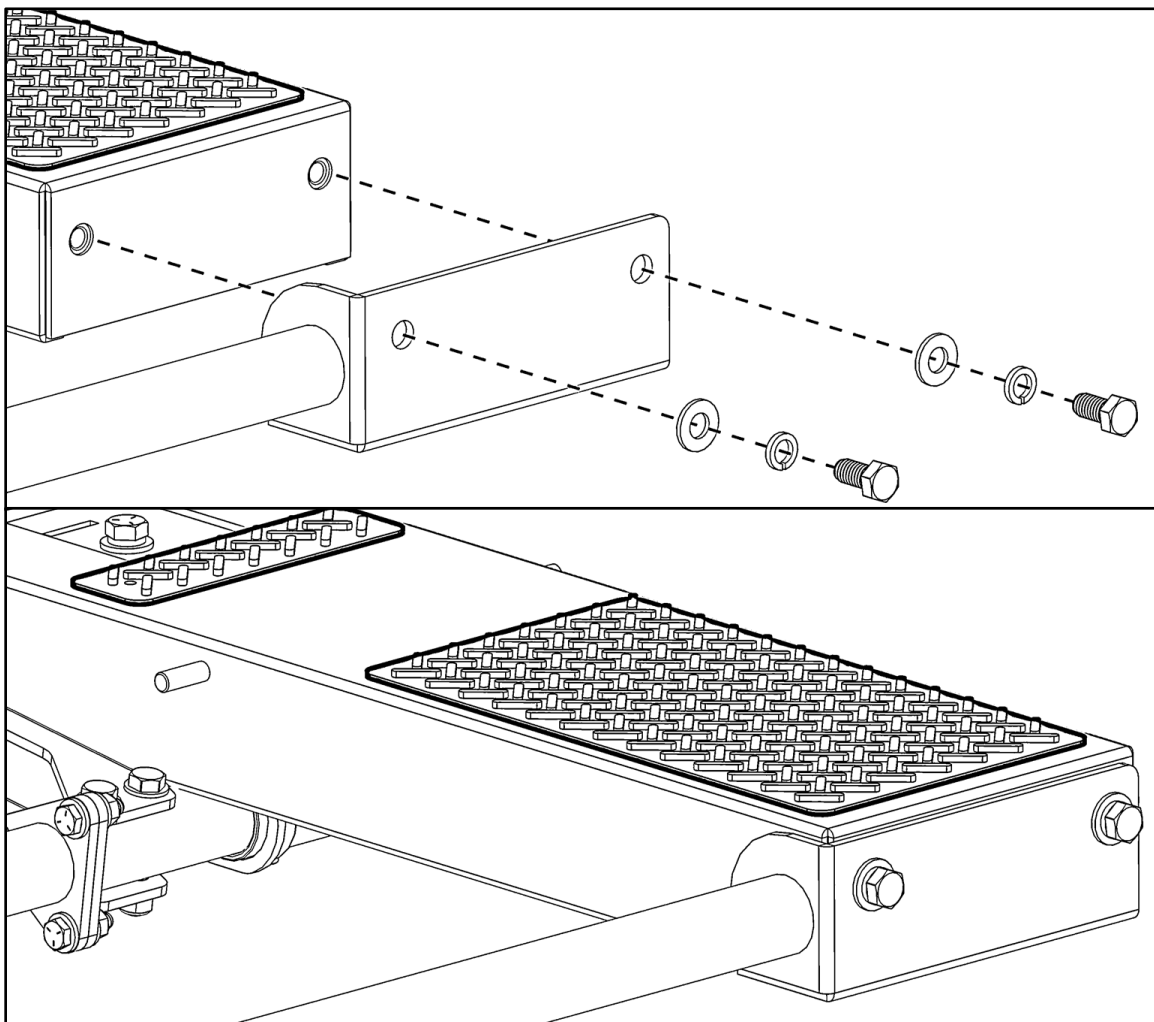


- Bolt the torque tube to the front and the rear bow using 1/4" x 1" hex head bolt, two 1/4" flat washers and 1/4" lock nut at each location. If the extension is used, bolt together using the same method.

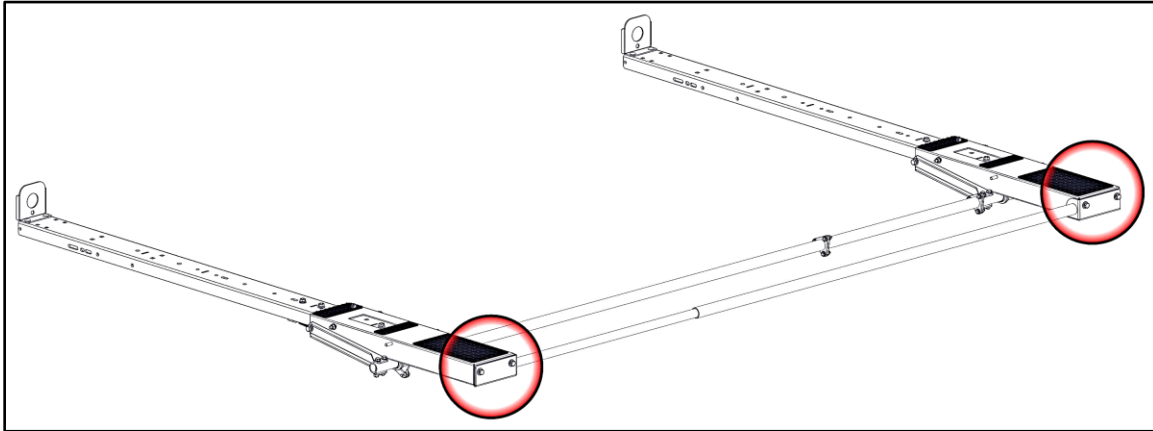


Step 9 – Install End Tube

- Attach the end tube to the end of both bows using 3/8" x 3/4" hex head bolts, 3/8" split lock washers and 3/8" flat washers in the orientation shown.

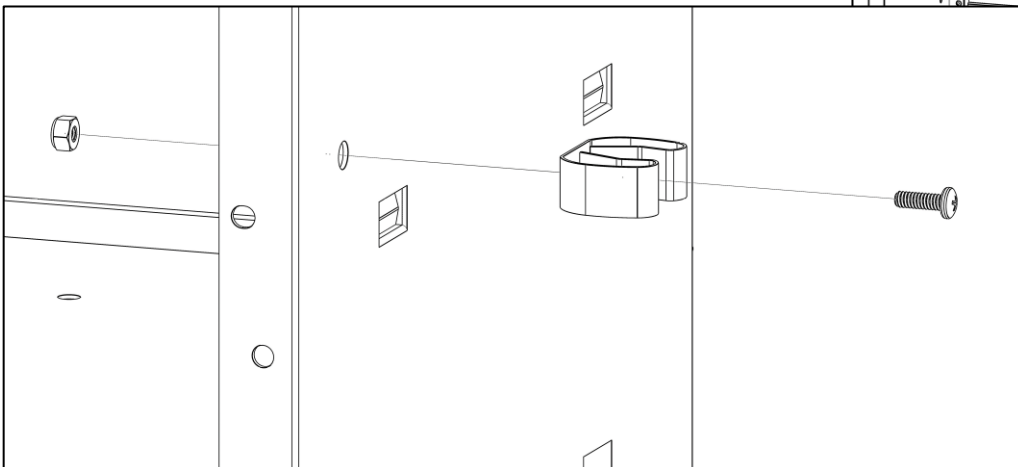
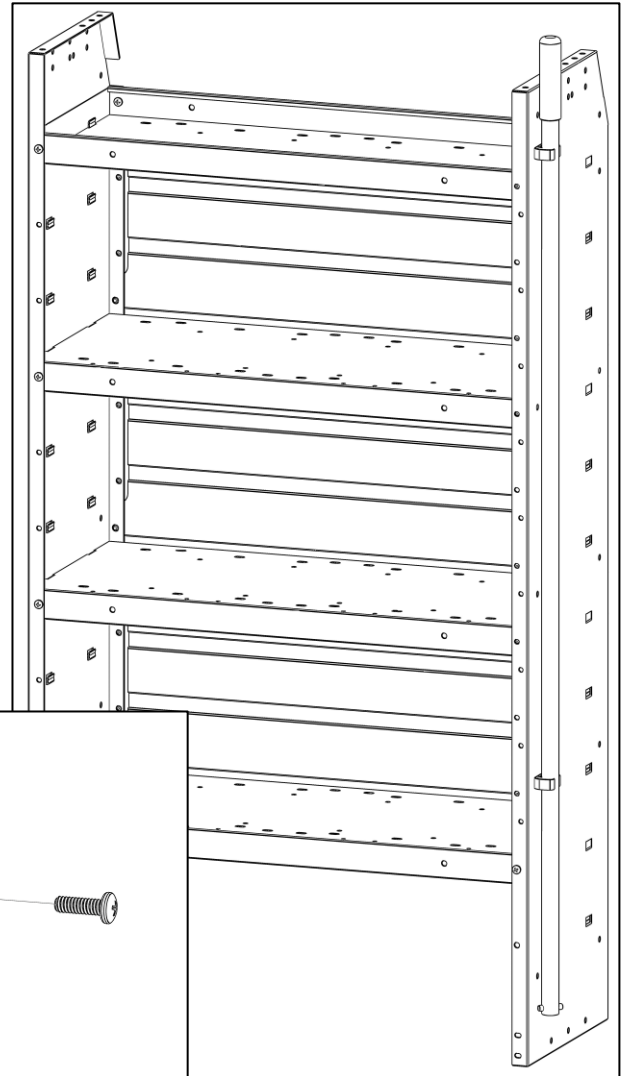


- Repeat at the end of both bows.



Step 10 – Install Clips for Handle

- Locate a good mounting place to install the upper clip for the handle. We recommend placing towards the rear of the van on the rear panel of a shelf.
- Place the upper clip on the handle.
- Place the handle against the shelf in the desired location.
- Mark the holes onto the shelf.
- Drill the locations using a 7/32" drill.
- Attach clip using #10 x 5/8" pan head screws and #10 nut.
- Repeat for second clip.
- TIGHTEN.



SQUARE AND POSITION THE RACK.

**START BY TIGHTENING THE FEET TO THE VEHICLE AND
MOVING UPWARD AND OUTWARD ON THE RACK.**

ASSEMBLY AND INSTALLATION ARE NOW COMPLETE.

