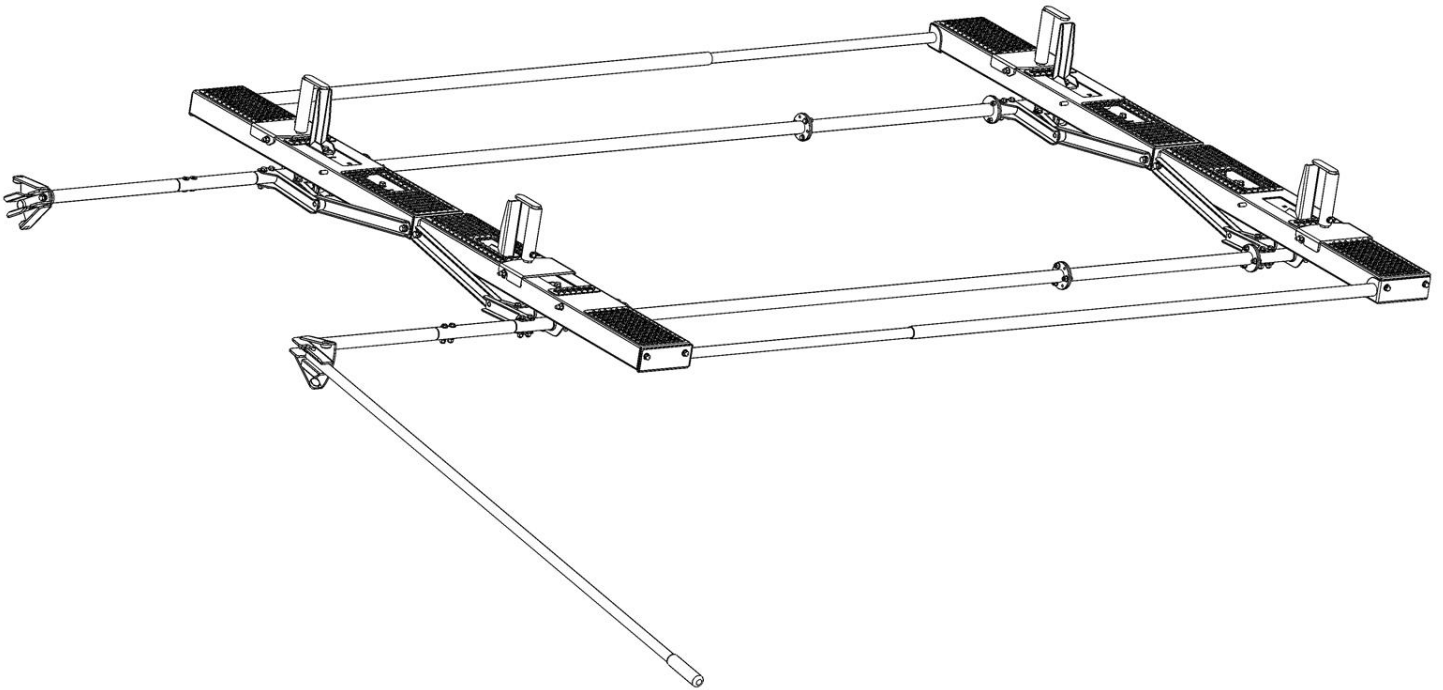


# Holman

---

## Assembly Guide 4A95H

---



---

Holman  
Rancho Cordova, CA 95742  
800-343-7486  
[InstallationSupport@Holman.com](mailto:InstallationSupport@Holman.com)

---

**PLEASE READ ALL INSTRUCTIONS AND WARNINGS PRIOR TO ASSEMBLING, INSTALLING, AND USING THIS PRODUCT.**

### Warning



Always check for wires, fuel tanks and lines, brake lines and other important vehicle functionality items prior to drilling and installing all products.



**DO NOT EXCEED MANUFACTURERS WEIGHT CAPACITY FOR ROOF.**

### Tools Needed

5/16" Wrench and Socket	7/16" Wrench and Socket
1/2" Wrench and Socket	3/8" Wrench and Socket
7/32" Drill Bit and Drill	Phillips Driver

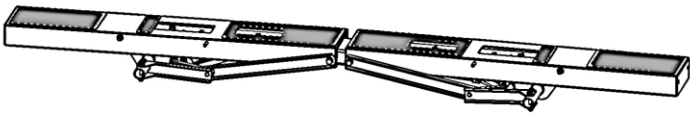
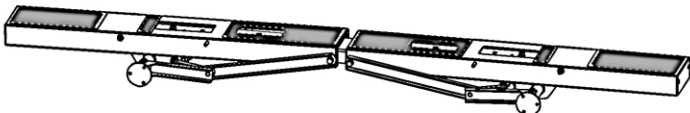
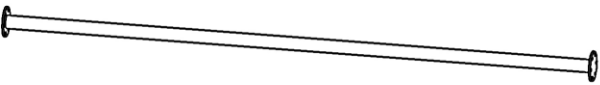
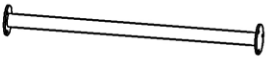
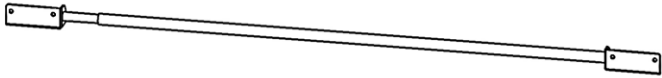
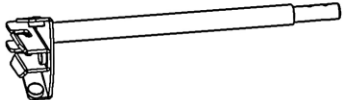
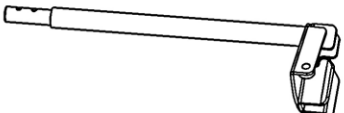
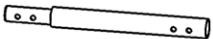
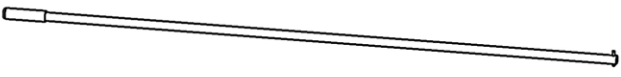
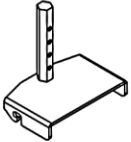

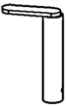
### Table of Contents

Before You Begin .....	1
Parts List.....	2
Hardware .....	3
Step 1 – Identify Front and Rear Bows .....	4
Step 2 – Determine if the Extension is Needed .....	4
Step 3 – Install Torque Tube Extension.....	5
Step 4 – Install Torque Tube .....	5
Step 5 – Install Ladder Pan Stiffeners .....	7
Step 7 – Install Actuator Extensions .....	8
Step 8 – Install Actuators.....	8
Step 9 – Assemble Ladder Hooks .....	9
Step 10 – Install Clips for Handle .....	9

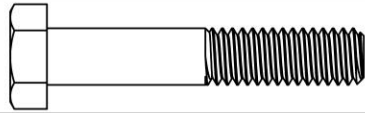
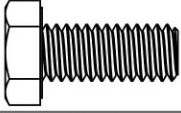
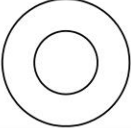
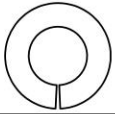

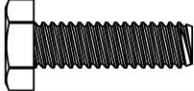
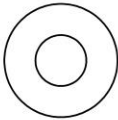
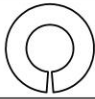

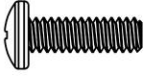
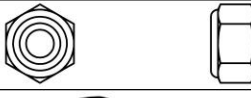

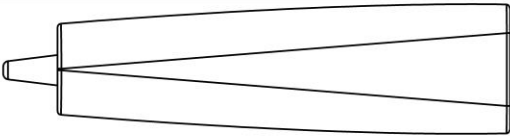
### Before You Begin

- Read all instructions before assembling or installing any Holman product.
- Place sealant around all swage connections.
- Keep the adjustment guide in vehicle at all times.
- **DO NOT EXCEED MANUFACTURERS WEIGHT CAPACITY FOR ROOF.**
- **BE SURE TO ADJUST LADDER CLAMPS ACCORDINGLY TO FIRMLY SECURE LADDER TO RACK.**
- The mounting kit is in NOT included and must be purchased separately.

## Parts List

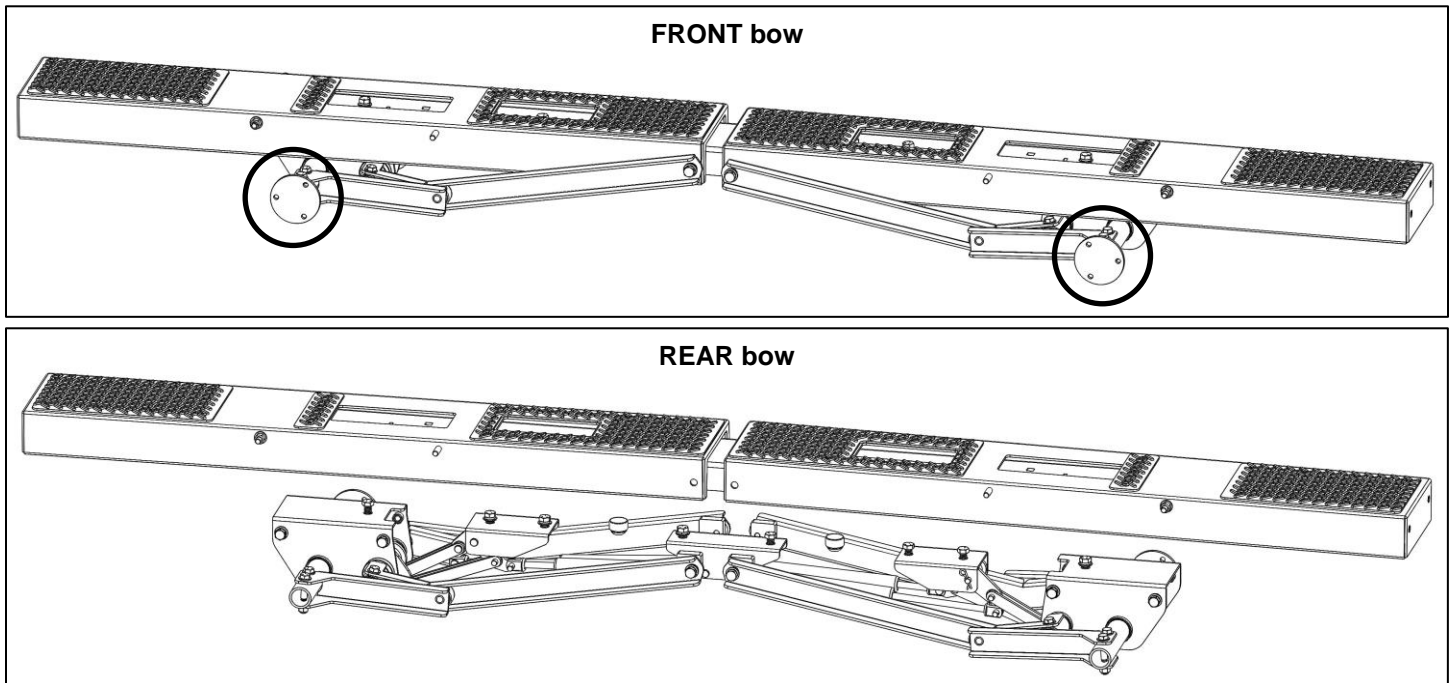
ITEM NO.	ITEM	PART NUMBER	DESCRIPTION	QTY.
1		4A95H-REAR	REAR BOW ASM	1
2		4A95H-FRONT	FRONT BOW ASM	1
3		40993-24	TORQUE TUBE	2
4		40993-25	TORSION TUBE EXTENSION	2
5		4A93L-7	SUPPORT TUBE ASSY	2
6		40993-43	ACTUATOR, RIGHT PS	1
7		40993-45	ACTUATOR, LEFT DS	1
8		40993-40-002	ACTUATOR EXTENSION	2
9		40993-44	HANDLE ASSEMBLY	1
10		4A900-36	BASE LADDER HOOK WELDMENT	4
11		4A900-30-004	LADDER STOP	4
12		4A900-35	LADDER HOOK	4
13		18-4A95H	HARDWARE	1

## Hardware

ITEM	HARDWARE TO SCALE	PART NUMBER	DESCRIPTION	QTY.
1		13010	5/16"-18 X 1-3/4" HEX HEAD BOLT	4
2			5/16-18 X 3/4" HEX HEAD BOLT	8
3		90126A030	5/16" Flat Washer	16
4		1133620	5/16" LOCKING WASHER	8
5		0169777	5/16"-18 NYLOC	4
6		13004	1/4"-20 X 7/8" HEX HEAD BOLT	22
7		33078	1/4" FLAT WASHER	40
8		33618	1/4" LOCK WASHER	4
9		37018	1/4"-20 NYLON INSERT LOCK NUT	18
10		74803	10-24 X 5/8" PHILLIPS HEAD SCREW	2
11		37014	10-24 NYLON INSERT LOCK NUT	2
12		1723A64	Vinyl-Coated Holder, 3/4" -1-1/8" Tool Diameter	2
13		-	Self Leveling Adhesive Sealant	1

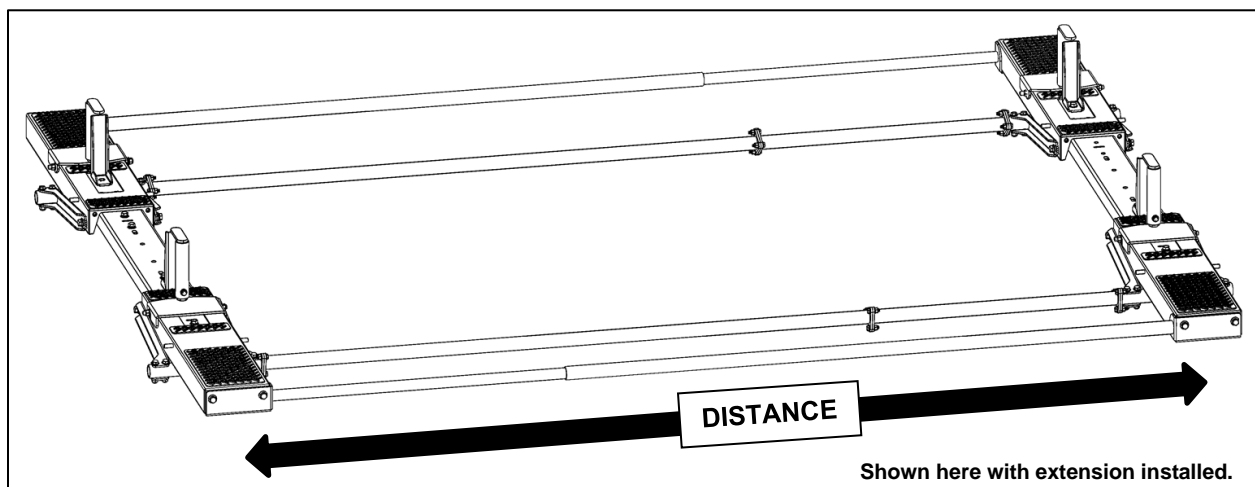
## Step 1 – Identify Front and Rear Bows

- Determine front and rear bow. The rear bow will have a dampening mechanism attached. **Notice the location of the round coupler piece.**



## Step 2 – Determine if the Extension is Needed

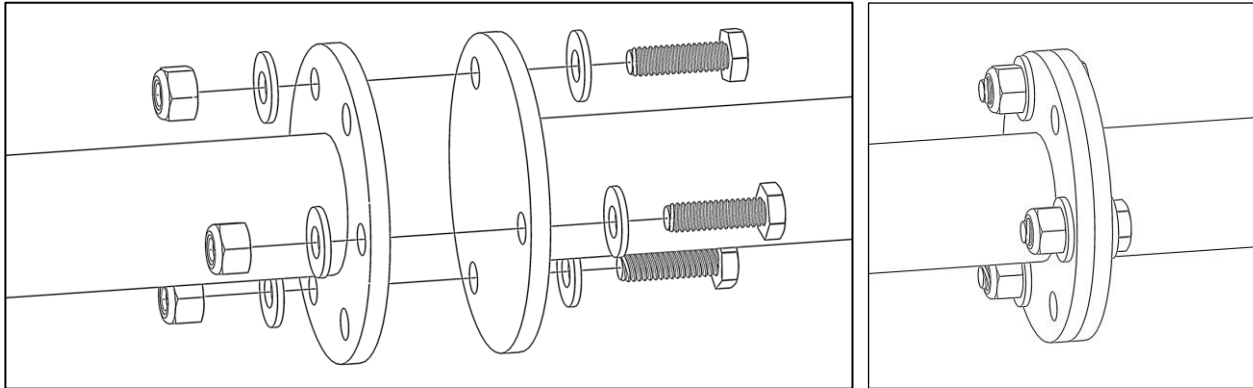
- Based upon the vehicle and ladder needs, the rack length can be extended 24-1/2" by adding the included torque tube extension.
- The distance center of bow to center of bow **without** the extension is approximately **71-1/2"**.
- The distance center of bow to center of bow **with** the extension is approximately **96"**.



## Step 3 – Install Torque Tube Extension

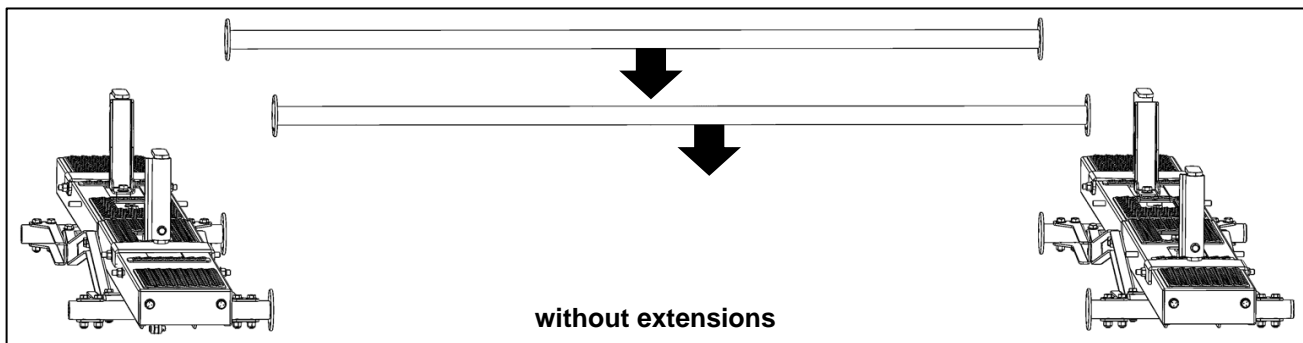
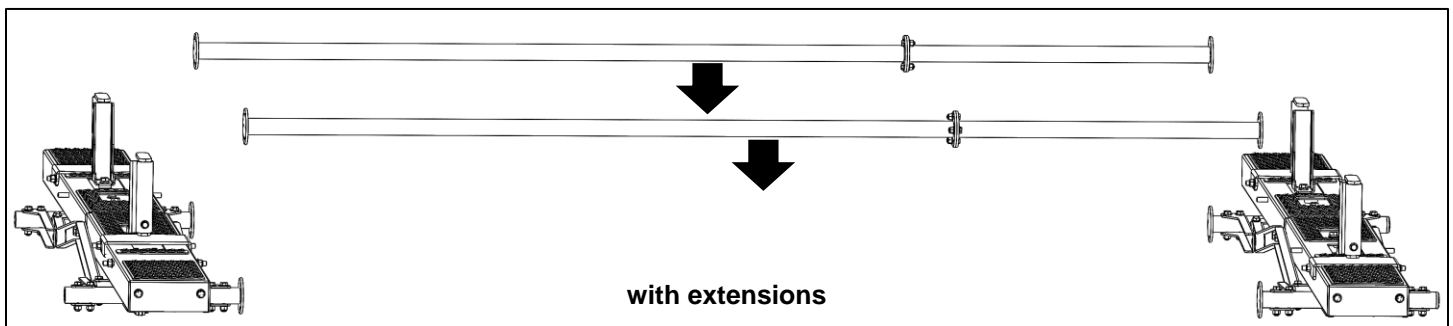
If installation requires the torque tube extension, complete the following instruction. If NOT installing the torque tube extension, skip to the next step.

- Bolt the torque tube to the torque tube extension using a 1/4" x 7/8" hex head bolt, two 1/4" flat washers, and a 1/4" lock nut at each location.
- Repeat for second extension on opposite bow.
- **TIGHTEN.**

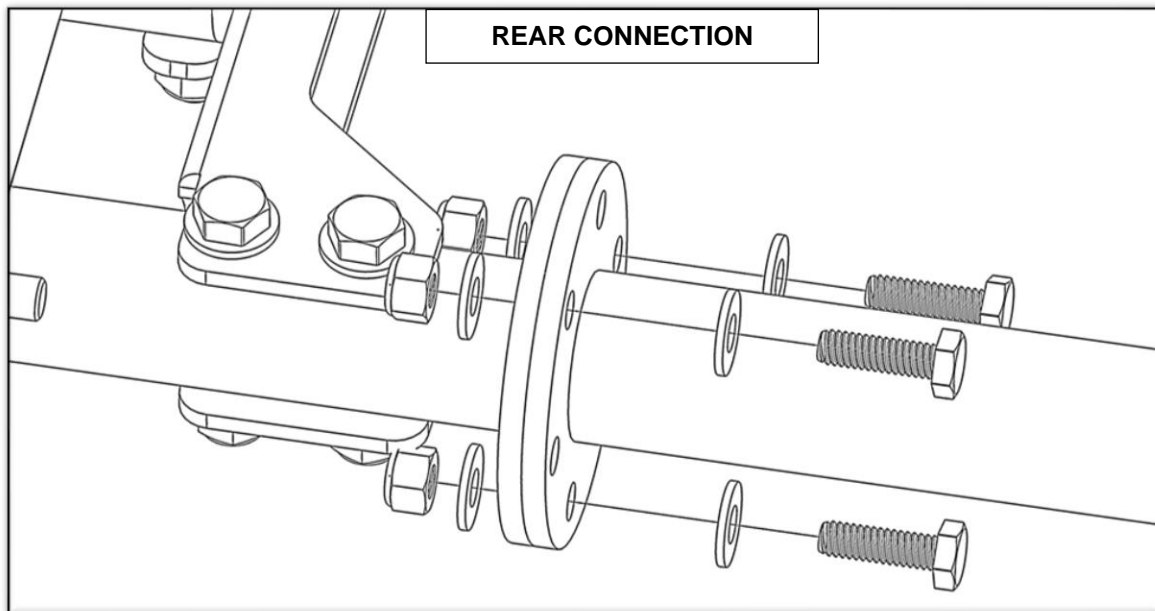
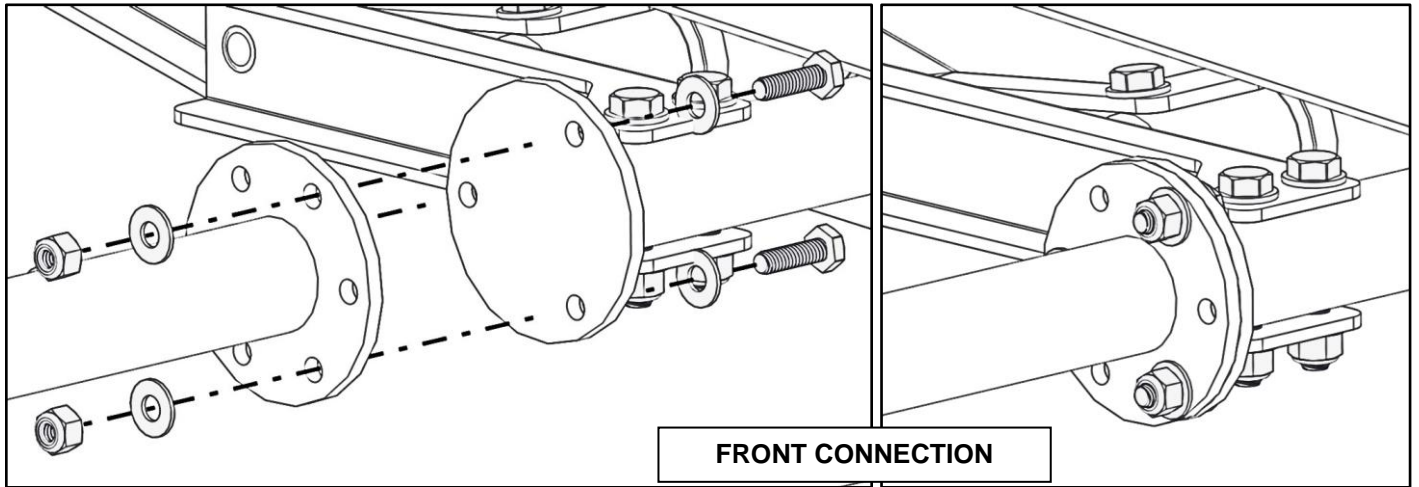


## Step 4 – Install Torque Tube

- Bolt the torque tube to front and the rear bow using a 1/4" x 7/8" hex head bolt, two 1/4" flat washers and a 1/4" lock nut at each of the 3 holes through circular ends of torque tube and actuator on bow.
- Repeat for second torque tube and extension on opposite side of rack.

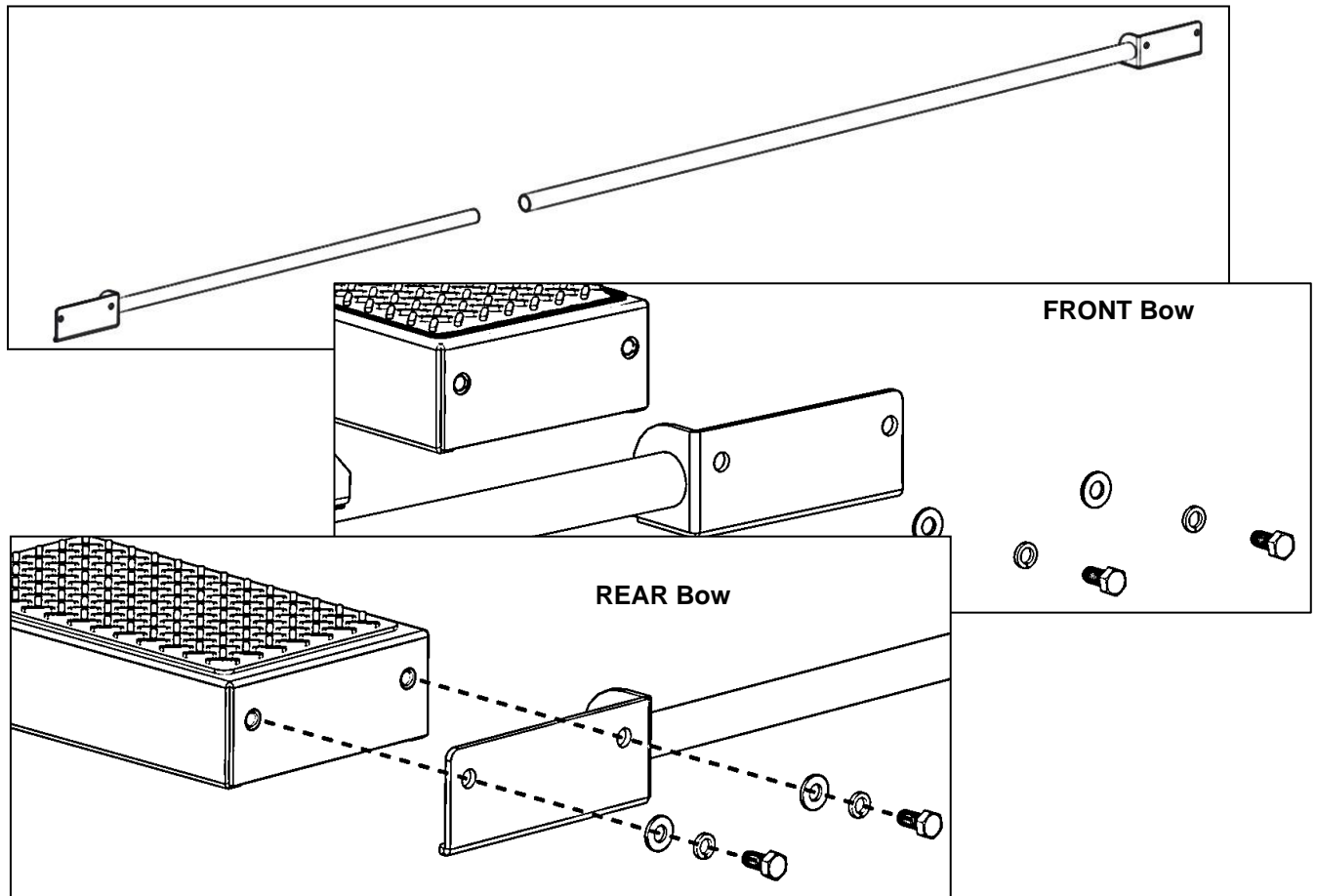
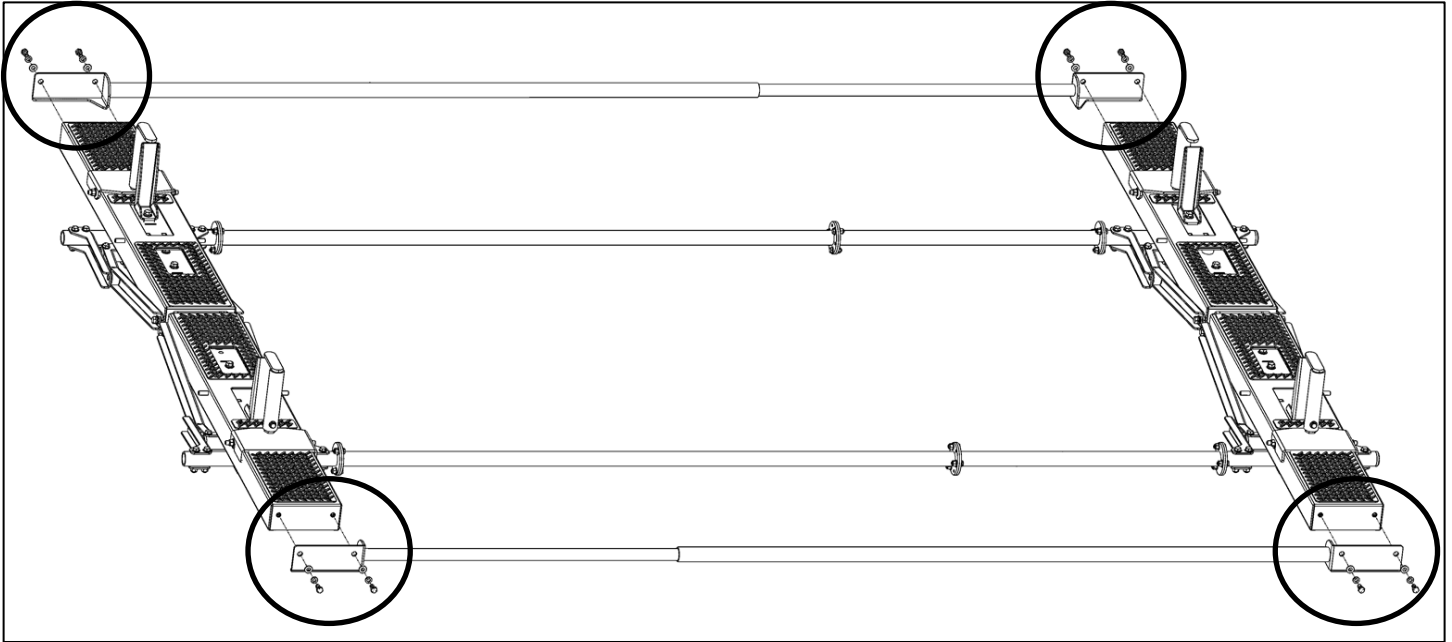


- Snug tighten but allow for movement. This hardware is best tightened after installation.



## Step 5 – Install Ladder Pan Stiffeners

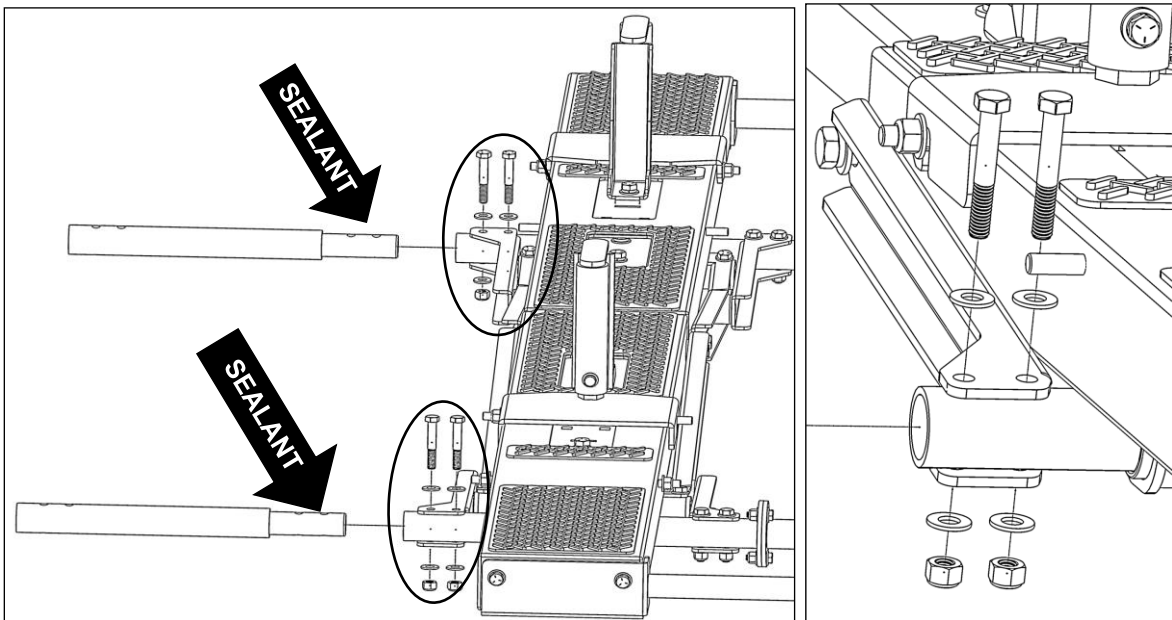
- Using 3/8" x 3/4" hex heads, 3/8" lock washers and 3/8" flat washers, install ladder pan stiffener to the ends of the bow pan assembly on each bow.
- **TIGHTEN.**
- Repeat on opposite side of rack.





## Step 7 – Install Actuator Extensions

- Remove the 5/16" flanged head screws, 5/16" washers, and 5/16" lock nuts from rear bow as circled below.
- Apply sealant to swaged ends of actuator extensions.
- Insert actuator extensions into end of tube on bow.
- Use removed hardware to bolt handle extensions into position as shown.
- **TIGHTEN.**

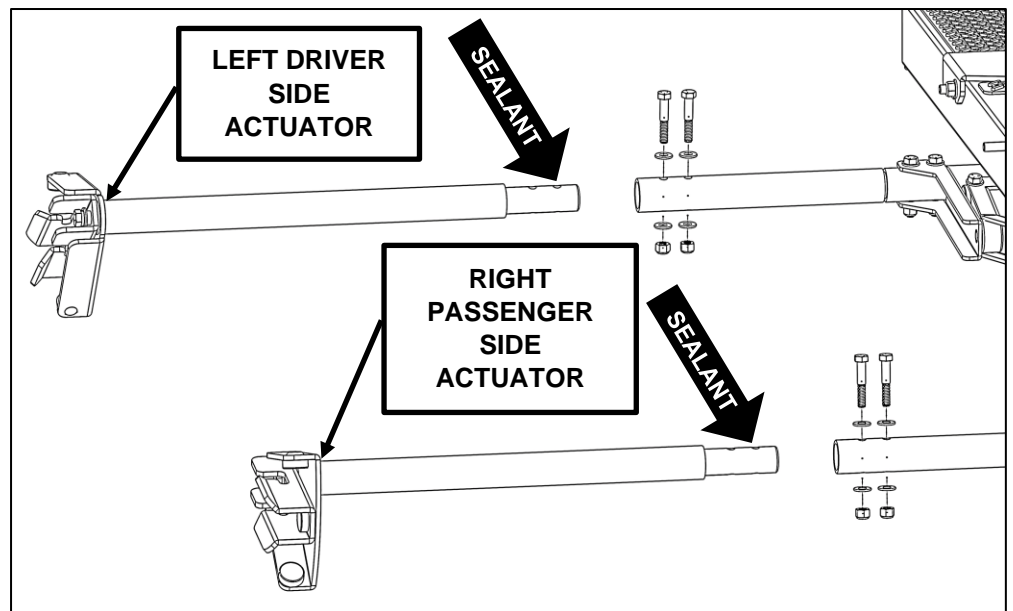


## Step 8 – Install Actuators

- Apply sealant to swaged ends of actuators.
- Insert actuators into actuator extensions.
- Using 5/16" x 1-3/4" hex head bolts, 5/16" washers, and 5/16" lock nuts, fasten actuators to actuator extensions.

**NOTE: Be sure the actuators are on the correct side of rack.**

- **TIGHTEN.**



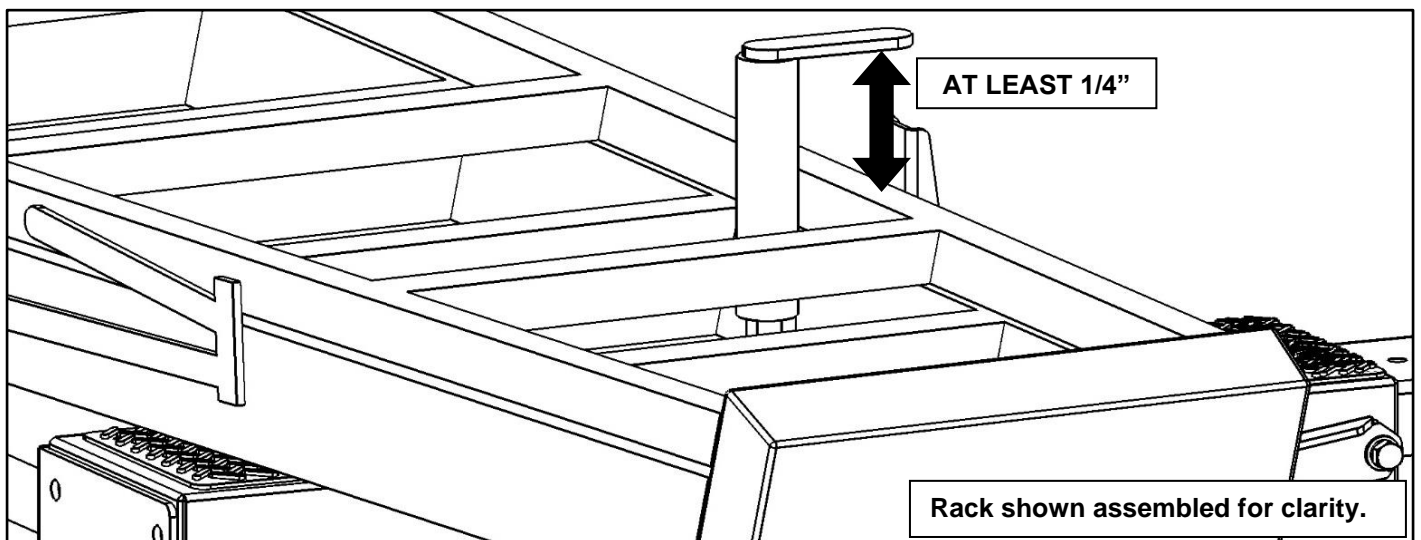
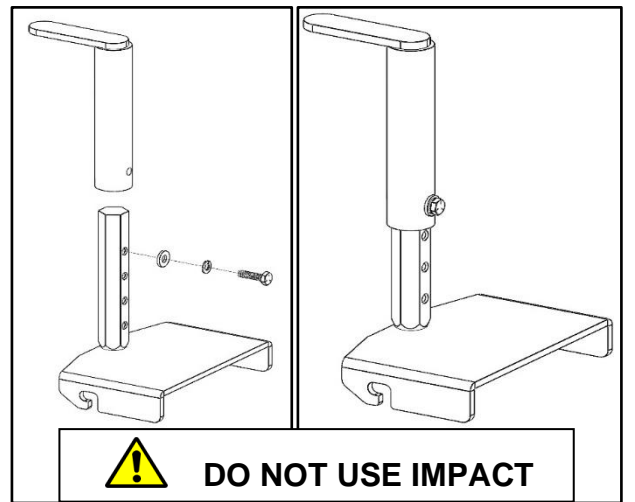
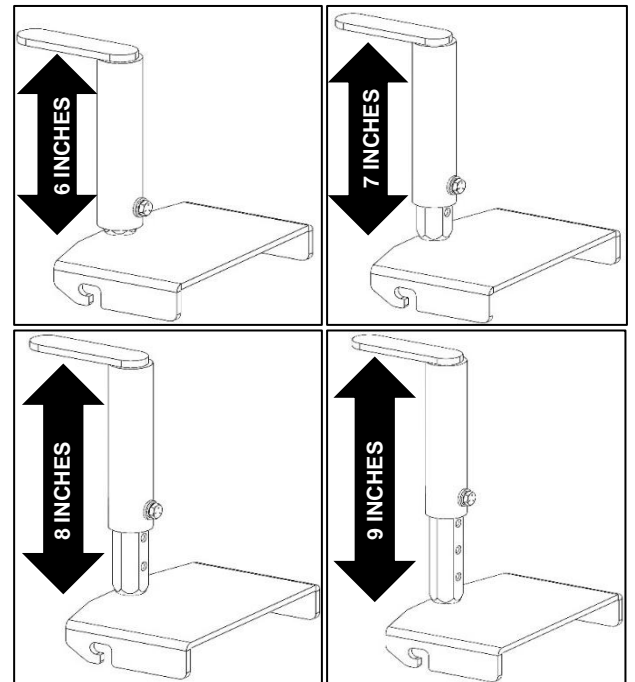
## Step 9 – Assemble Ladder Hooks

**NOTE:** Before use the ladder hook must be adjusted to an appropriate height for the ladder that will be used. The height of the hook needs to be at least 1/4" greater than the ladder. The ladder should fit loosely on the hook, not snug.

- Measure the thickness of the ladder that will be used and determine the appropriate mounting hole on the ladder hook weldment that will allow for a loose fit.
- **Be sure the height of the hook is AT LEAST 1/4" GREATER THAN the thickness of your ladder.**
- If you are unsure of the thickness of the ladder that will be used, set the height of the hook to the highest setting (9 inches) and adjust it later.

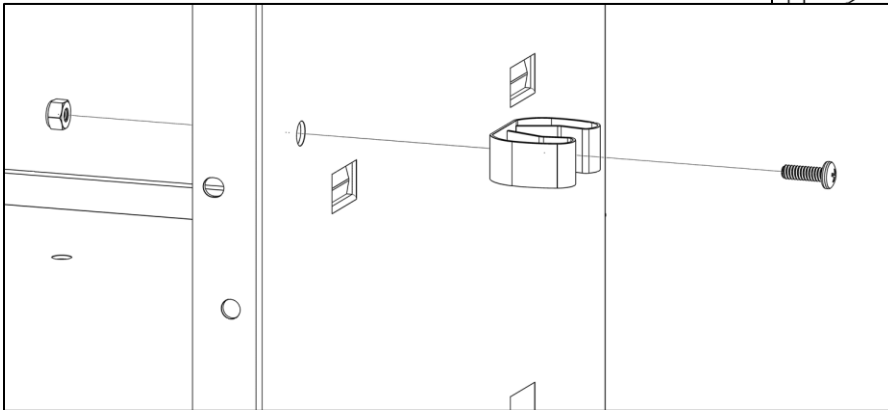
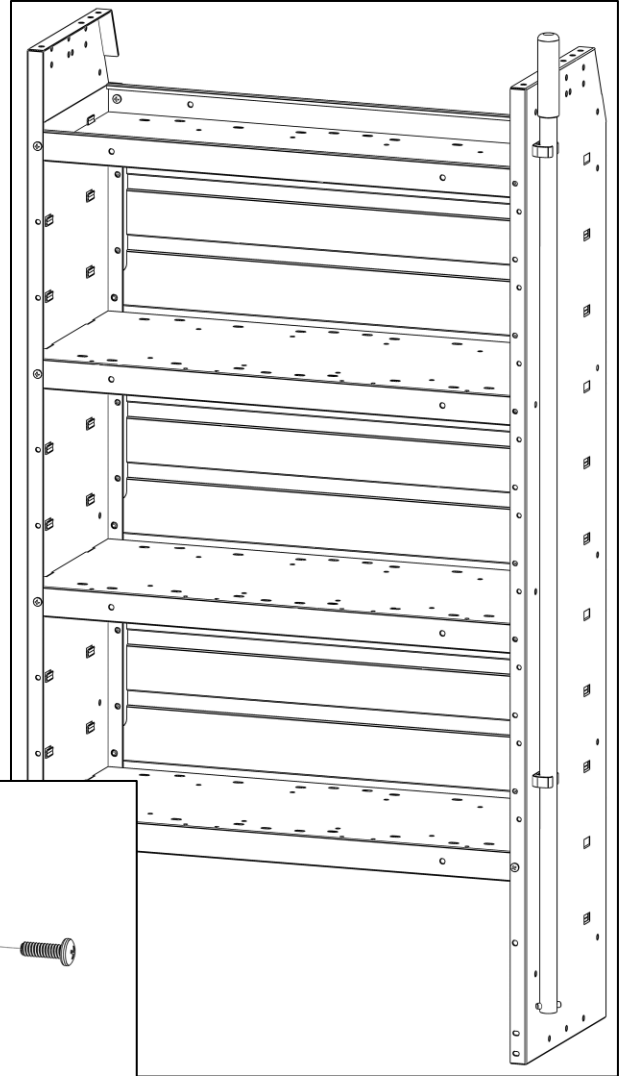
**NOTE:** Roof height clearance is affected by the hook mounting location used. Please verify and be aware of the total height of the vehicle with rack installed.

- Using a 1/4" x 1" hex head, a 1/4" lock washer and a 1/4" flat washer, bolt ladder hook assembly to ladder hook weldment using the previously determined mounting location.
- Tighten.



## **Step 10 – Install Clips for Handle**

- Locate a good mounting place to install the upper clip for the handle. We recommend placing towards the rear of the van on the rear panel of a shelf.
- Place the upper clip on the handle.
- Place the handle against the shelf in the desired location.
- Mark the holes onto the shelf.
- Drill the locations using a 7/32" drill bit.
- Attach clip using #10 x 5/8" pan head screw and #10 nut.
- Repeat for second clip.
- TIGHTEN.



**REFER TO MOUNTING KIT INSTRUCTIONS FOR  
INSTALLATION.**

**ASSEMBLY IS NOW COMPLETE.**