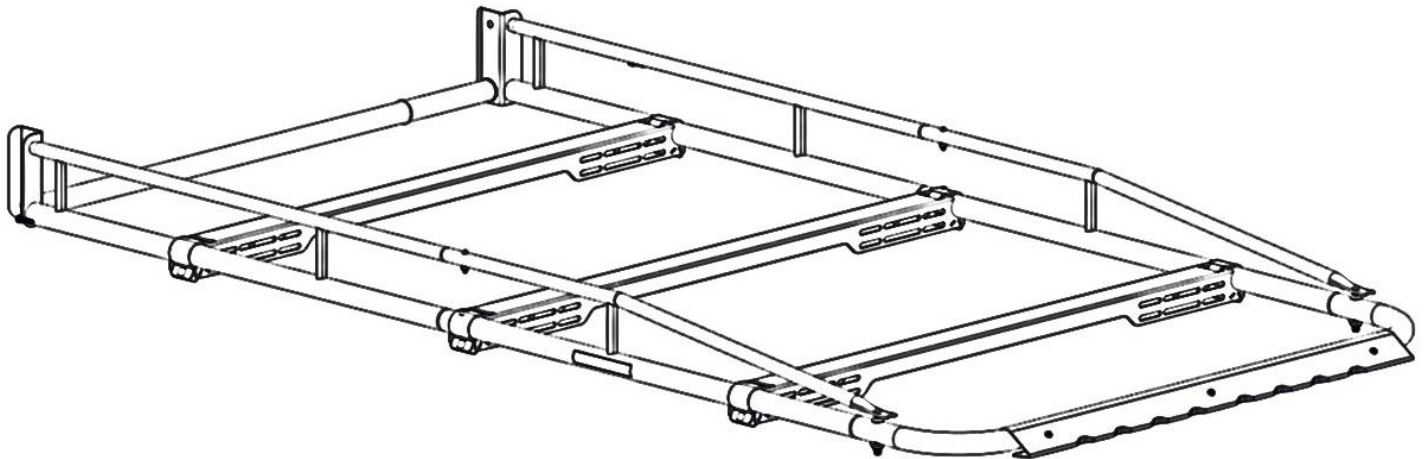


# Holman

---

## Instruction Guide 8010A

---



---

Holman  
Rancho Cordova, CA 95742  
800-343-7486

[InstallationSupport@Holman.com](mailto:InstallationSupport@Holman.com)

---

---

## PLEASE READ ALL INSTRUCTIONS AND WARNINGS PRIOR TO ASSEMBLING, INSTALLING, AND USING THIS PRODUCT.

---

### Warning



**DO NOT EXCEED MANUFACTURERS WEIGHT CAPACITY FOR ROOF.**



**Secure all payloads properly for safe transportation.**

---

### Tools Needed

7/16", 1/2", 3/4" Sockets and Wrench	7/16", 1/2", 3/4" Box Wrenches
#2 Philips Screwdriver	3/16", 5/16" Allen Hex Wrenches

---

### Table of Contents

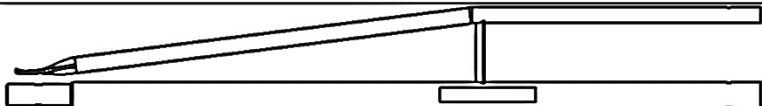
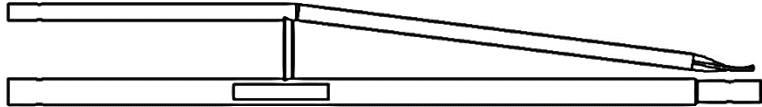
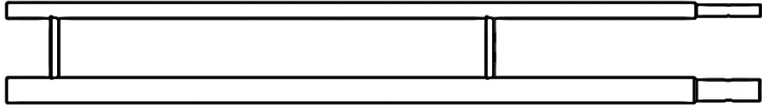

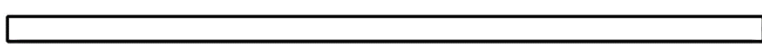
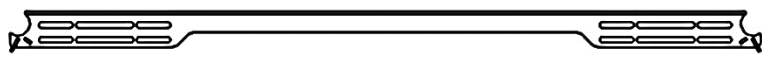


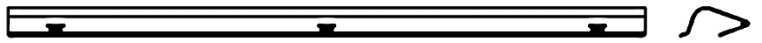

Parts .....	2
Hardware (18-8010A) .....	2
Hardware (18-8000A-RB) .....	4
Hardware (18-31571) .....	4
Sealant Application .....	4
Step 1 – Assemble Side Channels .....	5
Step 2 – Attach Roller Bar to Roller Bar Brackets .....	5
Step 3 – Attach Wind Deflector to Front Crossbar .....	6
Step 4 – Install Crossbars To Feet .....	6
Step 5 – Attach Side Channels to Crossbars.....	7
Step 6 – Attach Front Crossbar .....	8
Step 7 – Attach Roller Bar Assembly.....	8

---

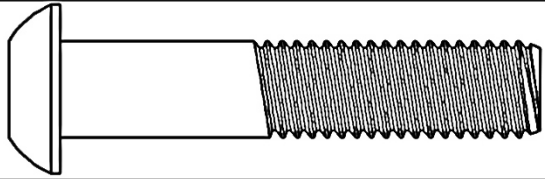
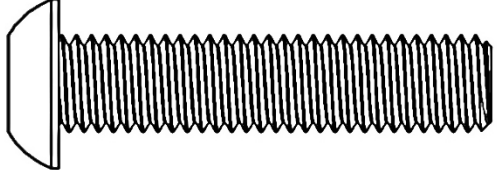
### Before You Begin

- Read all instructions prior to assembling or installing any Holman product.
- Always locate your installation locations prior to performing any work.
- **Be sure to put sealant around all threads entering cargo area and between the rubber spacer and roof of vehicle to prevent water from leaking into cargo area.**
- **HAVE THE MOUNTING KIT INSTALLED TO VEHICLE PRIOR TO INSTALLING THIS RACK.**
- **PROPER SEALANT APPLICATION IS CRITICAL TO PREVENTING WATER PENETRATION INSIDE THE RACK. Apply a healthy bead of sealant entirely around every swaged joint and every bolt going through tubing. Improper sealing can lead to water penetration and rust on inside surfaces.**

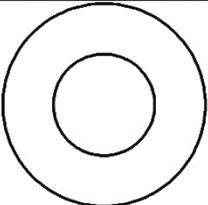






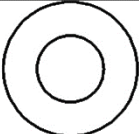
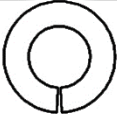
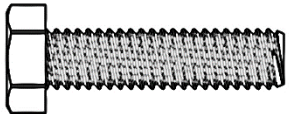
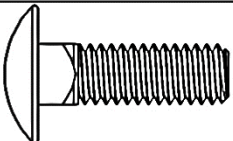

## Parts

NO.	ITEM	PART NUMBER	DESCRIPTION	QTY.
1		101989	FRONT SIDE CHANNEL, LH DS	1
2		101988	FRONT SIDE CHANNEL, PS RH	1
3		8000A-03	REAR SIDE CHANNEL	2
4		8000A-005	50" FRONT TUBE	1
5		8000A-05	50" ROLLER BAR	1
6		8000A-06	50" CROSSBAR WELDMENT	3
7		8000A-010	SIDE CHANNEL CLAMP	6
8		8000A-019	ROLLER BAR BRACKET, COMPACT VAN	2
9		101699	WIND DEFLECTOR	1
10		8000A-017	WIND DEFLECTOR CLAMP	3
11		18-8010A	HARDWARE KIT	1
12		18-8000A-RB	ROLLER BAR BOLT KIT	1
13		18-31571	HARDWARE KIT	1


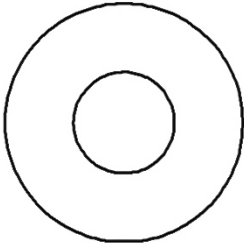
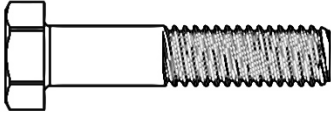
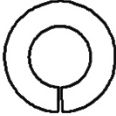
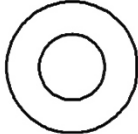
## Hardware (18-8010A)

ITEM	HARDWARE TO SCALE	PART NUMBER	DESCRIPTION	QTY.
1		92949A726	1/2"-13 x 2-1/2" Button Head Cap Screw	2
2		24114	1/2"-13 X 2-1/4" BUTTON HEAD	2
3		-	Self Leveling Adhesive Sealant	1

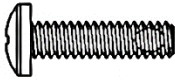

## Hardware (18-8010A) (Continued)

ITEM	HARDWARE TO SCALE	PART NUMBER	DESCRIPTION	QTY.
4		11541086	1/2" WASHER	4
5		37695	1/2"-13 THIN LOCKING JAM NUT	4
6		92949A546	1/4-20 X 1 1/2 BUTTON HEAD	2
7		0167030	1/4"-20 FLANGED LOCK NUT	2
8		11545154	1/4" FLAT WASHER	2
9		1133618	1/4"-20 LOCK WASHER	2
10		11138676	1/4-20 X 1" HEX HEAD BOLT	2
11		92141A030	5/16" FLAT WASHER	2
12		1171067	5/16" LOCKING WASHER	2
13		11138690	5/16-18 X 1-1/4" HEX HEAD BOLT	2
14		74430	5/16-18 X 1" CARRIAGE BOLT	6
15		11104019	5/16-18 FLANGED NYLOCK NUT	6

## Hardware (18-8000A-RB)

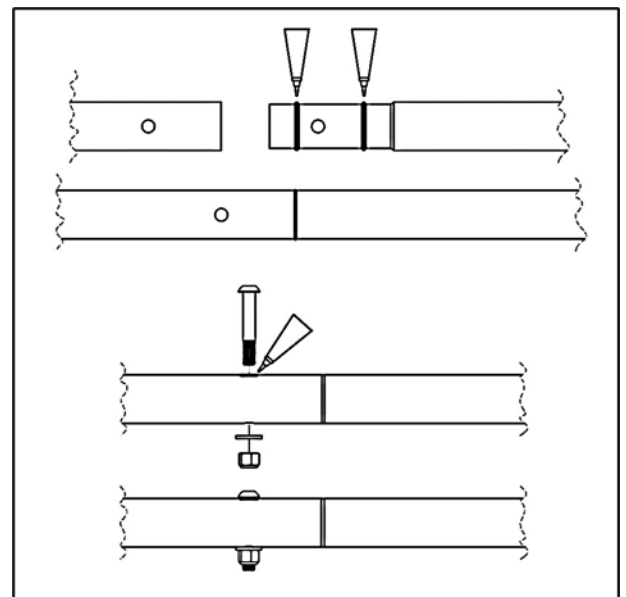
ITEM	HARDWARE TO SCALE	PART NUMBER	DESCRIPTION	QTY.
1		6391K406	OIL-EMBEDDED BRONZE SLEEVE BEARING	2
2		95611A287	CHEMICAL-RESISTANT PVC PLASTIC WASHER FOR 1/2" SCREW SZ, 0.562" ID, 1.75" OD, 0.053"-0.071" THK	4
3		11241181	5/16"-18 X 1-1/2" HEX HEAD BOLT	2
4		1171067	5/16" LOCKING WASHER	2
5		11545144	5/16" FLAT WASHER	2

## Hardware (18-31571)

ITEM	HARDWARE TO SCALE	PART NUMBER	DESCRIPTION	QTY.
1		0149489	10-32 X 3/4" PAN HEAD SCREW	3
2		33074	#10 FLAT WASHER	3

## Sealant Application

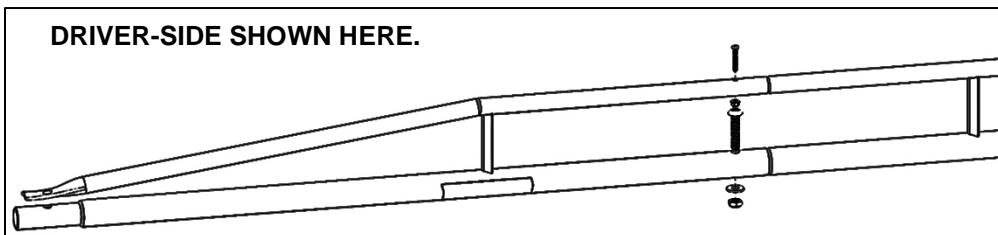
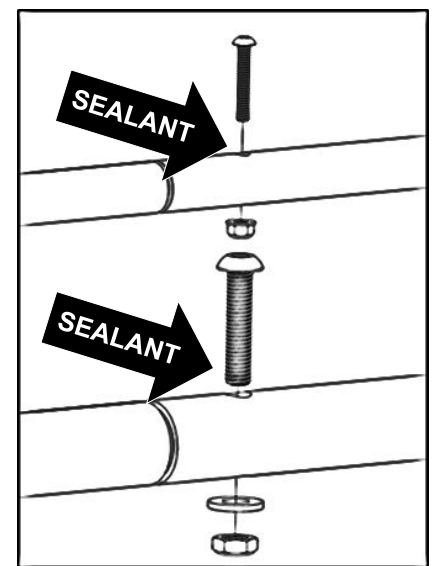
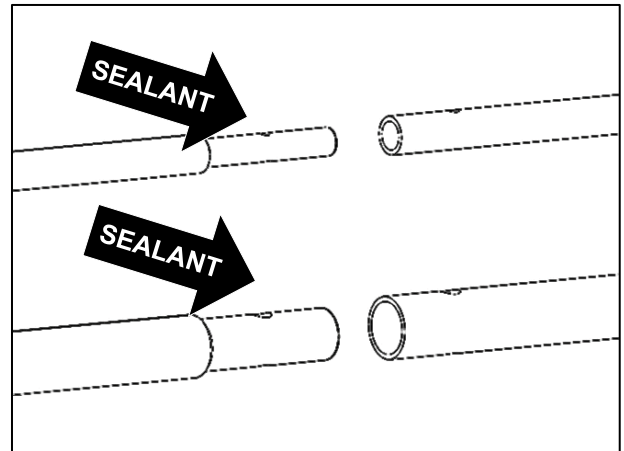
- Proper sealant application is critical to preventing water penetration inside the rack.
- Apply a healthy bead of sealant around every swaged joint as shown. Improper sealing can lead to water penetration and rust on inside surfaces.
- Wipe any excess sealant off immediately with a plastic scraper or paper towel. Any smeared sealant can be rubbed off as soon as sealant dries.
- Maintain this seal throughout the life of your rack.



## DO NOT EXCEED MANUFACTURERS WEIGHT CAPACITY FOR ROOF.

### Step 1 – Assemble Side Channels

- Identify driver-side and passenger-side front side-channels. Decals should face away from vehicle.
- Cover swage joints with sealant per Sealant Application guidelines. Push ends of front side channel onto swaged ends of center side channel.
- Using a 1/4" x 1-1/2" button head bolt and 1/4" flanged lock nut, bolt through UPPER side channel tubes.
- Using a 1/2" x 2-1/4" button head bolt, 1/2" flat washer, and 1/2" locking jam nut, bolt through LOWER side channel tubes.
- Remove excess sealant.
- Repeat for opposite side channel.
- Tighten the bolts going through top and bottom side-channel tubes.



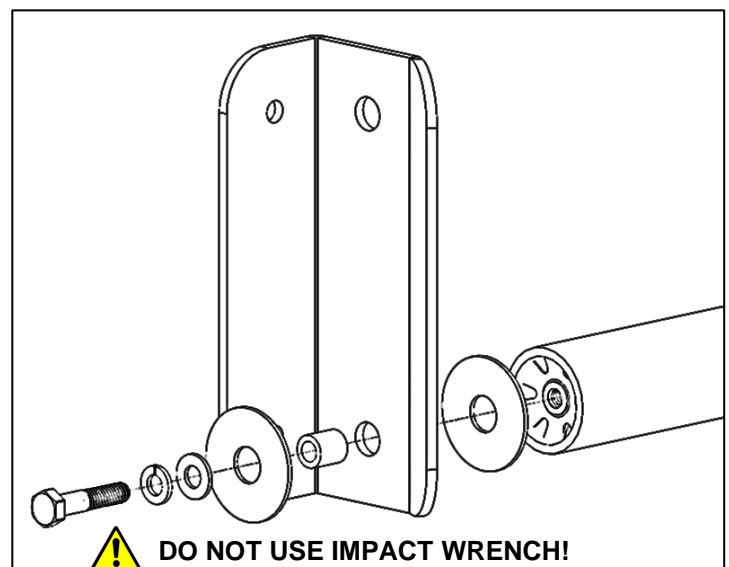
### Step 2 – Attach Roller Bar to Roller Bar Brackets

**Note: The lower roller bar mounting position is best for load bearing. Several positions are provided to accommodate different loading positions.**

- Using a 5/16" x 1-1/2" hex head bolt, bolt through the following and into the end of the roller bar.
  - a 5/16" lock washer,
  - a 5/16" flat washer,
  - two plastic washers (one on each side of roller bar bracket),
  - a roller bar bracket, and
  - a roller bearing.

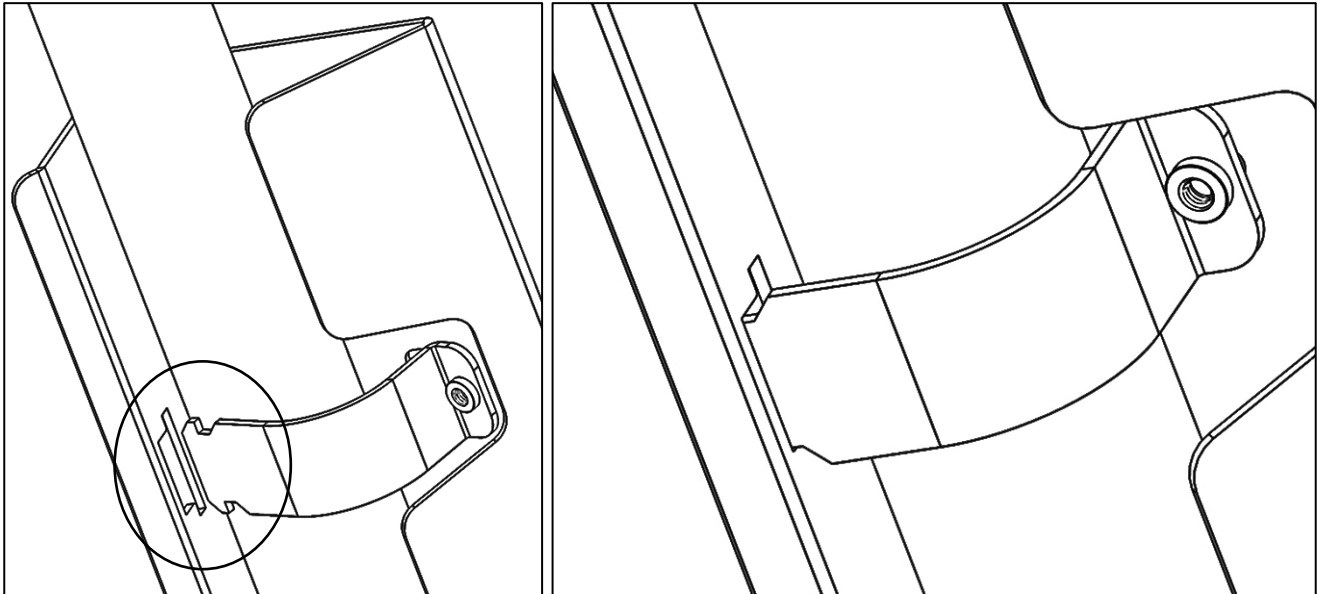
**Be sure flanges are facing away from each other and away from center of roller bar.**

- Repeat for opposite side.

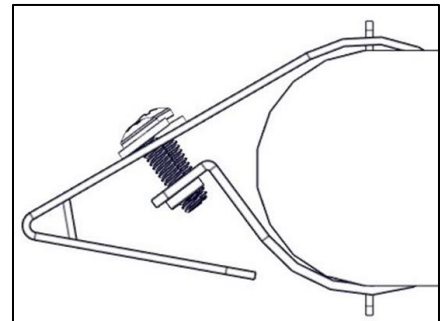


## Step 3 – Attach Wind Deflector to Front Crossbar

- Insert wind deflector clamp-retainer into cutout in wind deflector.



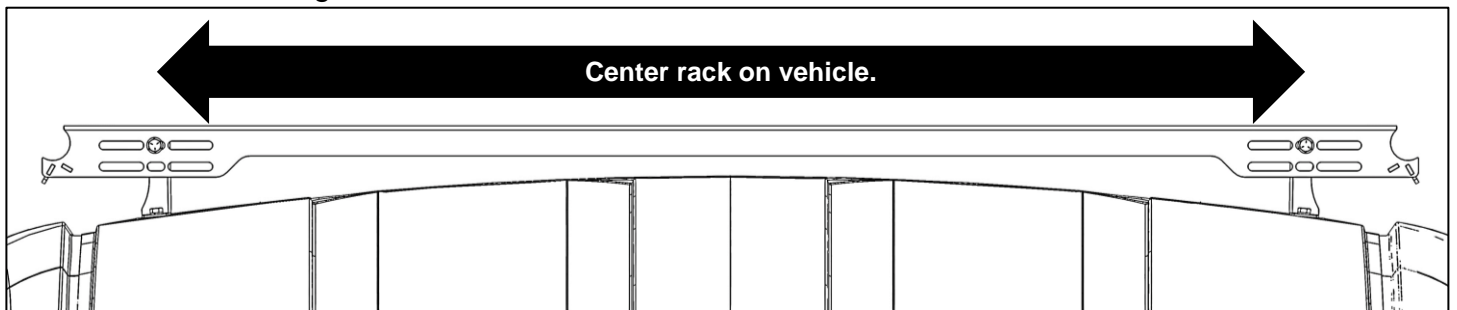
- Hold wind deflector in position with angled edge aimed towards front of vehicle.
- Use a #10 x 3/4" pan head screw and #10 washer to bolt through the wind deflector into the press nut in the clamp.
- Repeat for remaining two clamps.
- Tighten.



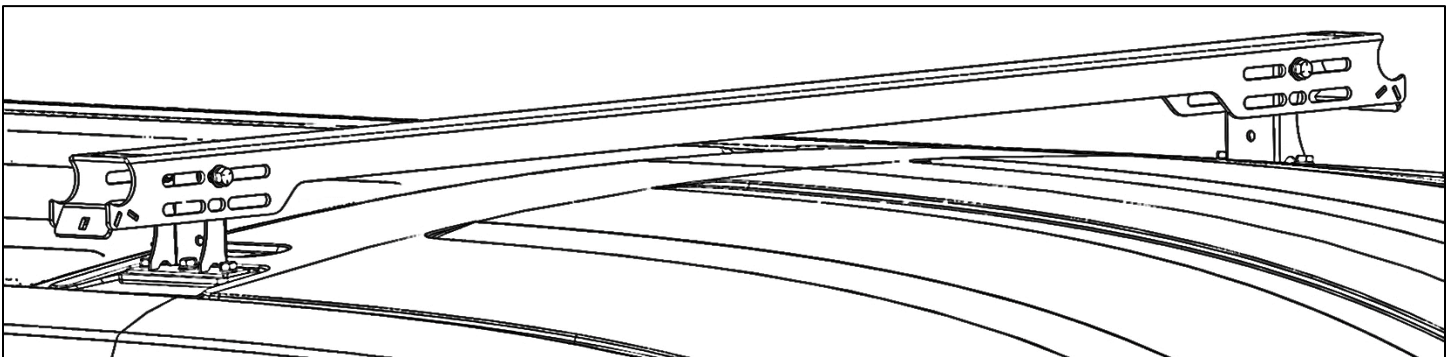
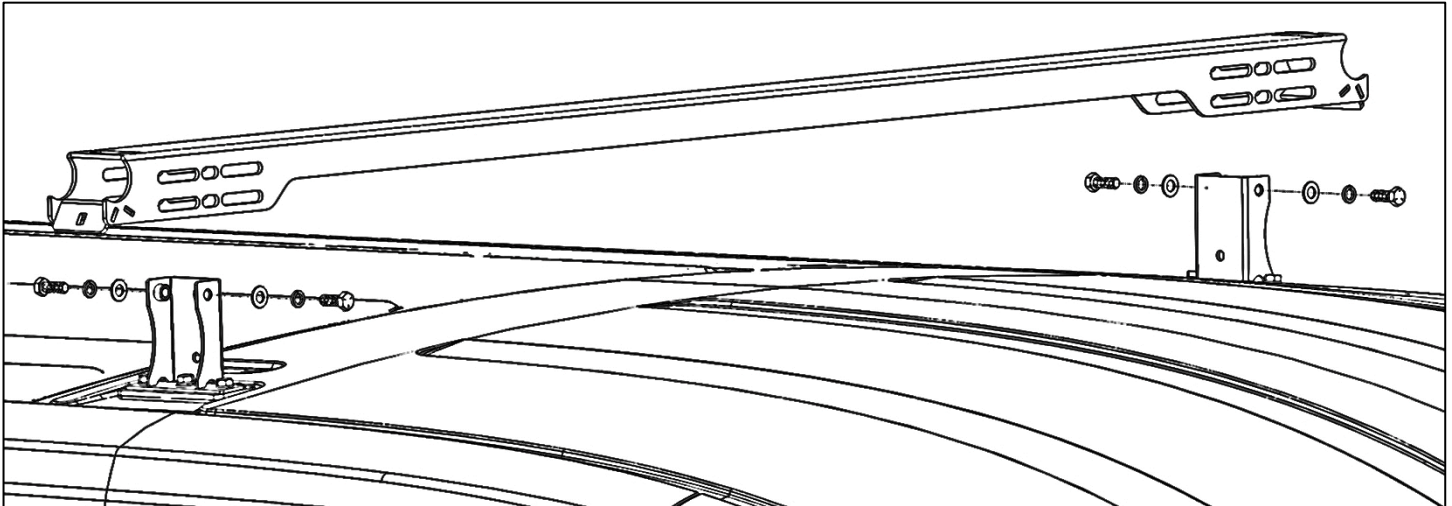
## Step 4 – Install Crossbars To Feet

**NOTE:** Hardware to attach crossbars to feet is included in mounting kit.

- Set crossbar onto feet. Mounting feet may be installed into either upper or lower slots, based upon clearance required for vehicle.
- Center crossbar right-to-left with feet and vehicle.

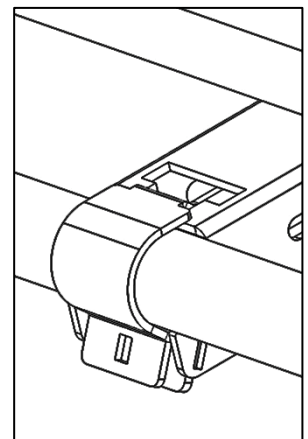
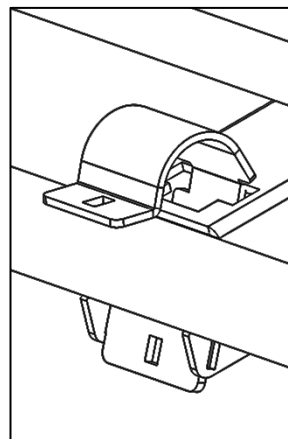
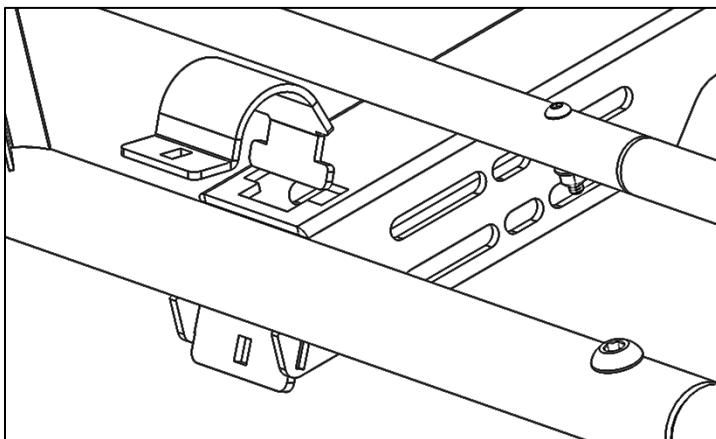


- Using 3/8" x 1" hex head bolts, 3/8" lock nuts, and 3/8" flat washers provided with mounting kit, bolt crossbar to feet.
- Tighten but allow movement.
- Repeat for all remaining crossbars.



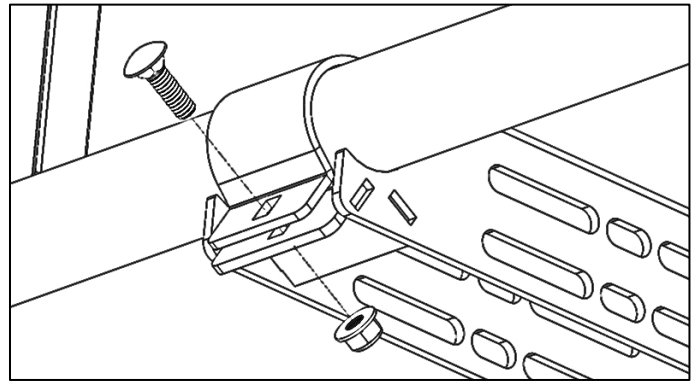
## **Step 5 – Attach Side Channels to Crossbars**

- Set side channel into round cutout in crossbars in desired position.
- Although rack position may be adjusted later, it is recommended to determine the front-to-back position of the rack at this point.
- Insert a side channel clamp into cutout in each crossbar with interior diameter facing upward.



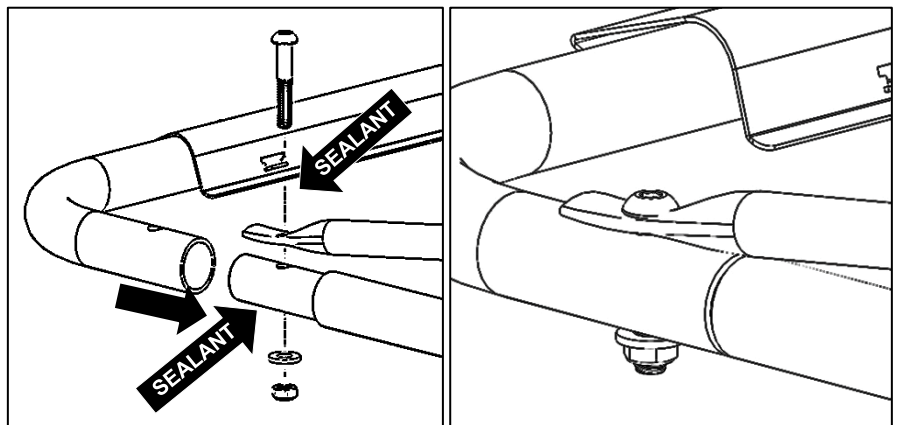


- For each side channel clamp, use a 5/16" x 1" carriage bolt and 5/16" flanged lock nut to bolt side channel clamp to crossbar.
- Snug tighten but allow for movement.



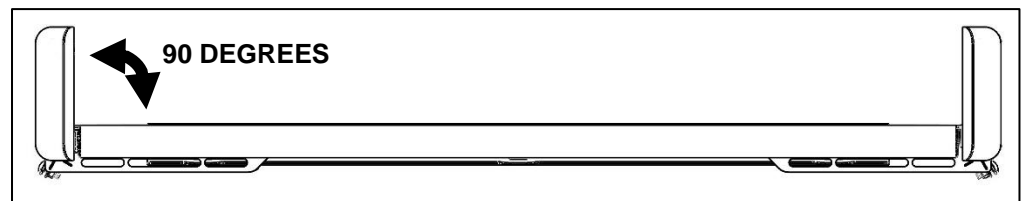
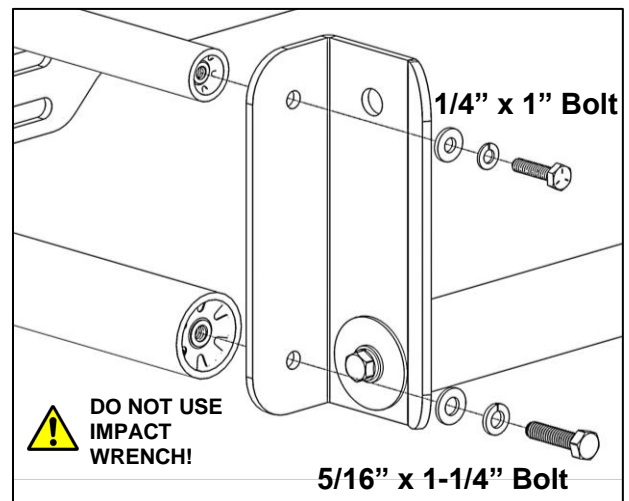
## Step 6 – Attach Front Crossbar

- Cover swage joints with sealant per Sealant Application guidelines. Push front crossbar onto swaged end of front side channel. **Be sure to align holes in both and be sure flat face of wind deflector is on top.**
- Using a 1/2" x 2-1/2" button head cap screw, 1/2" flat washer, and 1/2" locking jam nut, bolt through front side channel and front crossbar.
- Remove excess sealant.
- Tighten.
- Repeat for opposite side.

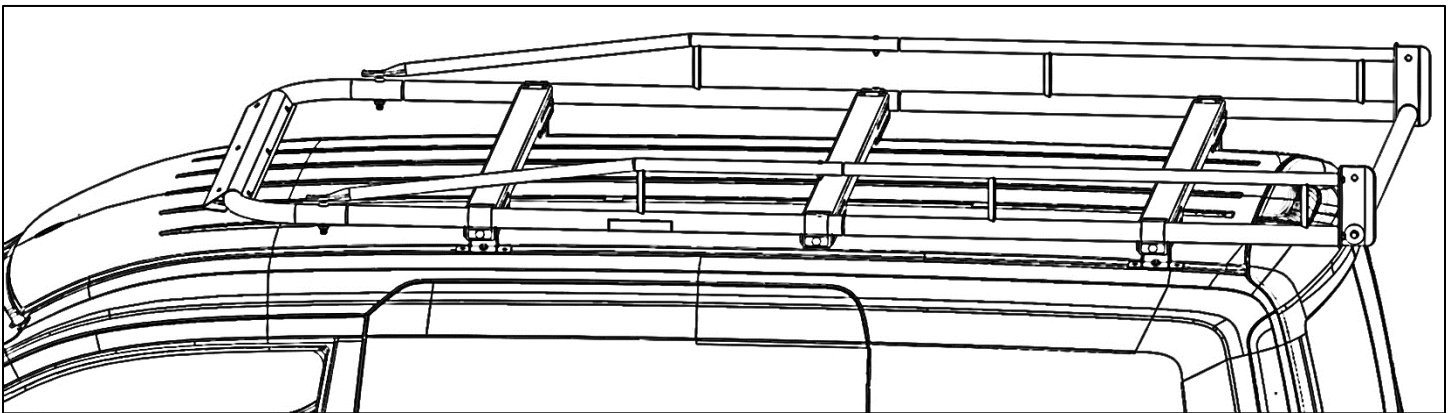
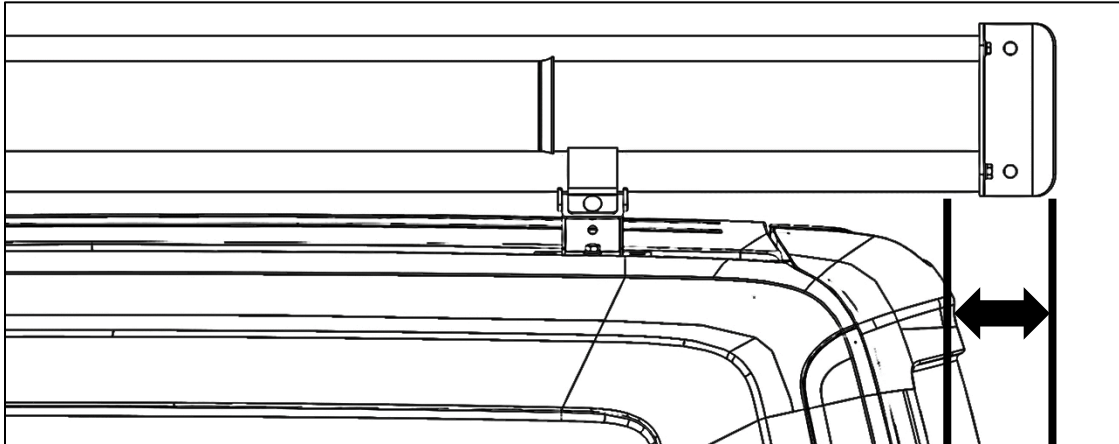


## Step 7 – Attach Roller Bar Assembly

- Using a 1/4" x 1" hex head bolt, 1/4" lock washer, and 1/4" flat washer, bolt through the TOP hole in the roller bar bracket into end of the TOP rear side channel.
- Using a 5/16" x 1-1/4" hex head bolt, 5/16" lock washer, and 5/16" flat washer, bolt through the BOTTOM hole in the roller bar bracket into end of the BOTTOM rear side channel.
- TIGHTEN hardware.
- Repeat for opposite side.
- **Check that the rack is square to the vehicle and mounts.**



- Be sure the rear roller bar is hanging off the rear of the vehicle enough so that when placing a ladder on the rack, it does not come into contact with the rear of the vehicle.



**GO BACK AND TIGHTEN ALL HARDWARE.**

**INSTALLATION AND ASSEMBLY ARE COMPLETE.**