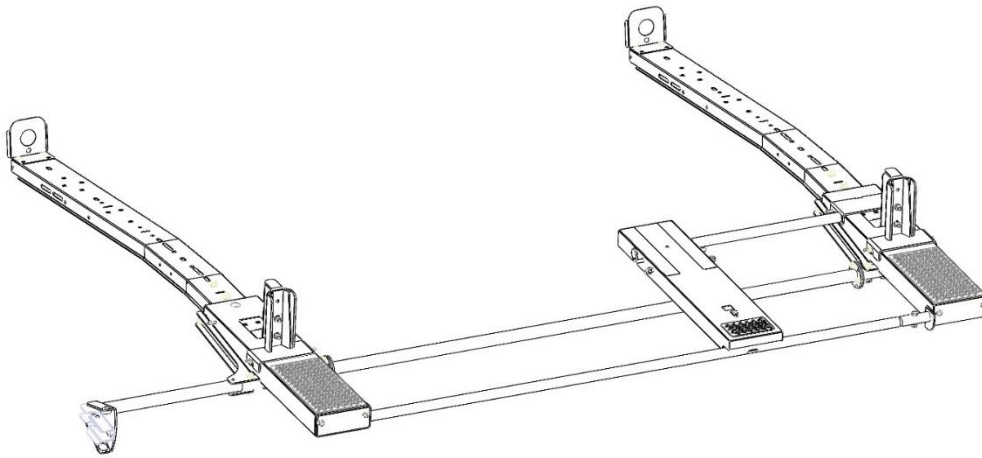


Holman

How to Adjust Holman Drop Down Rack with a Step Ladder Bracket



Before You Begin

- The 40816/4A816 is designed **ONLY** to be used with a step ladder that is shorter than 8ft.
 - If an extension ladder is being used, the ladder stop and ladder hook will need to be removed from the 40816/4A816 and installed on the forward pan as described below.
 - If an 8ft or longer step ladder is being used, the ladder stop and ladder hook will need to be removed from the 40816/4A816 and installed on the forward pan in the lower position, The rear ladder stop and ladder hook will need to be moved to the upper position on the rear pan.
 - In some situations it may be necessary to remove 40816/4A816 in order to place the ladder hooks and ladder stops in the correct configurations use an extension ladder or step ladder that is 8ft or longer.
- Be sure when using an 8ft or longer step ladder or an extension ladder, the ladder is touching on the front and rear bow of the ladder rack. 8ft or taller step ladders should **NOT** be hooked to the 40816 or 4A816 step ladder add-on.
- This document shows adjustment of 40816, adjustment of the 4A816 will be the same.

Holman

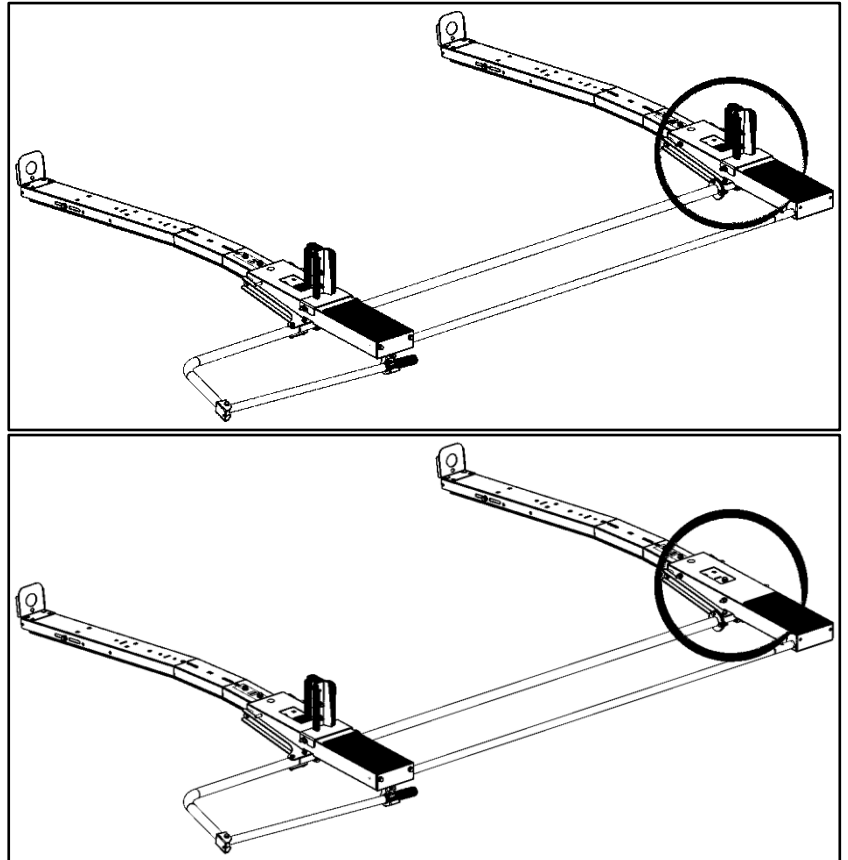
Rancho Cordova, CA 95742

800-343-7486

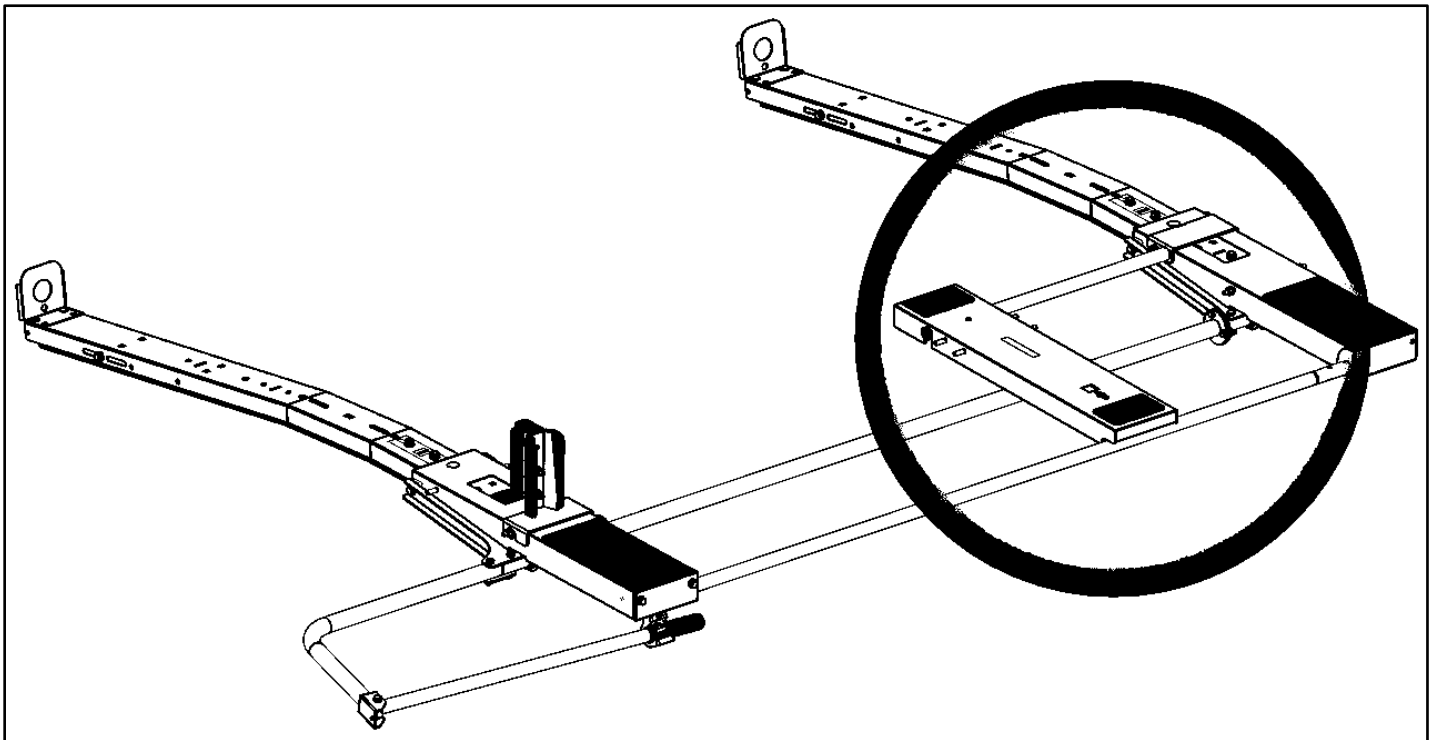
InstallationSupport@Holman.com

When using a Step Ladder that is shorter than 8ft.

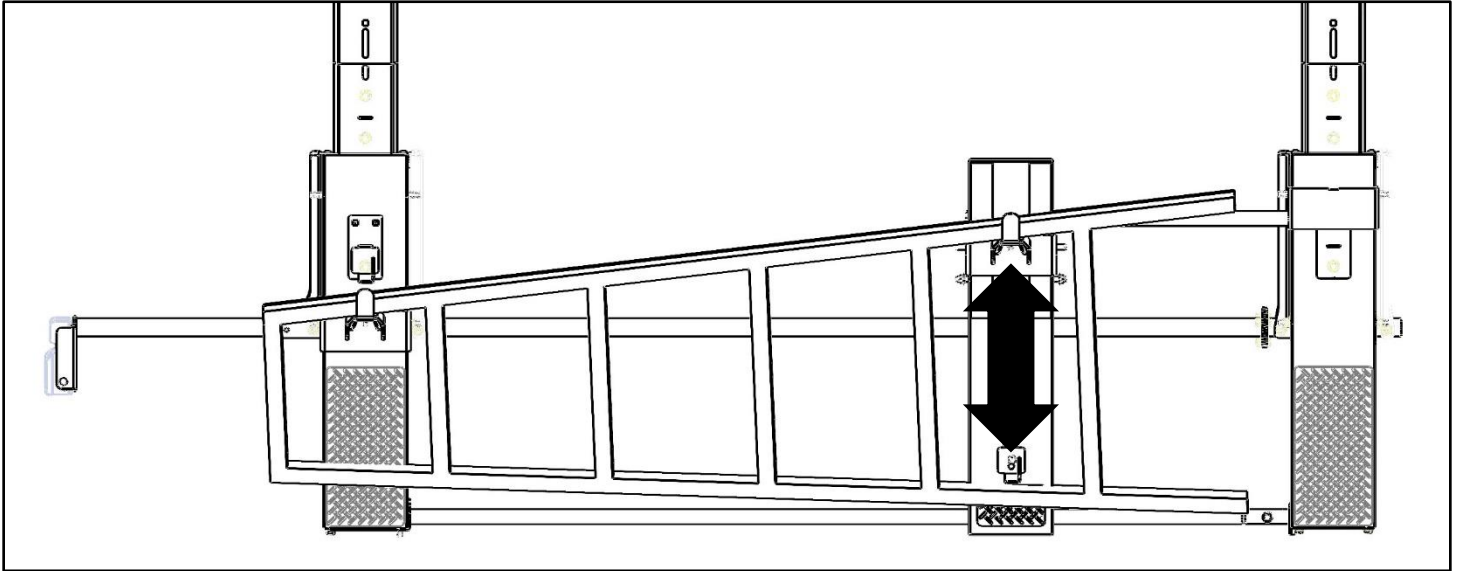
- Remove the ladder hook from the pan and the ladder stop from the front bow.



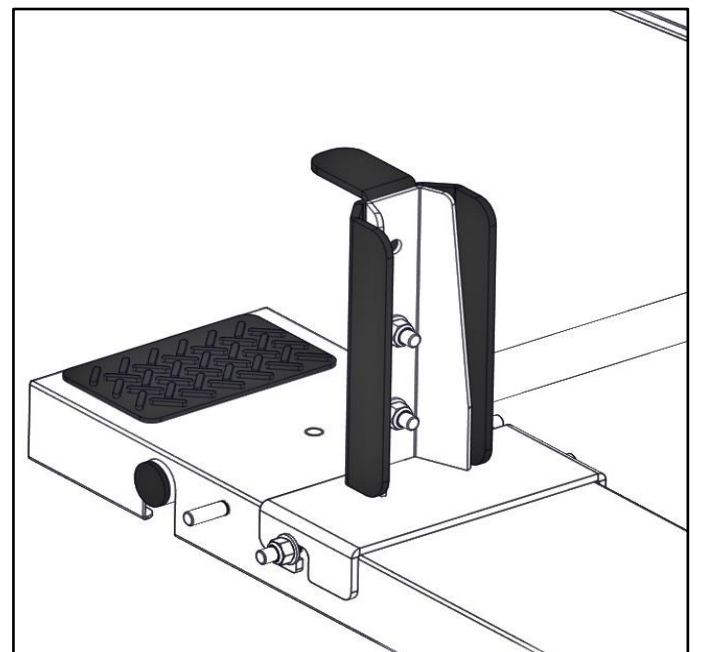
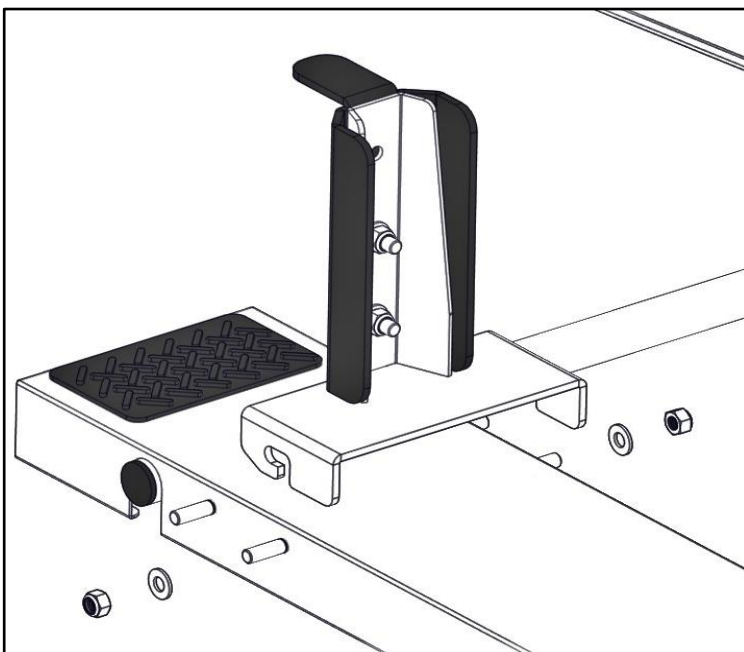
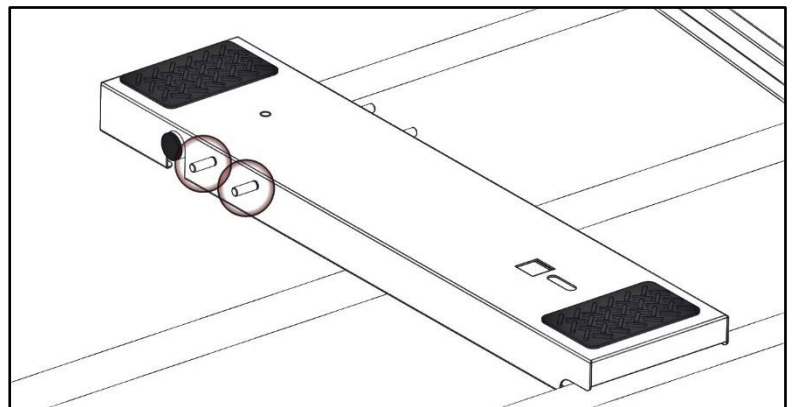
- Install 40816/4A816 step ladder add on per given instructions.



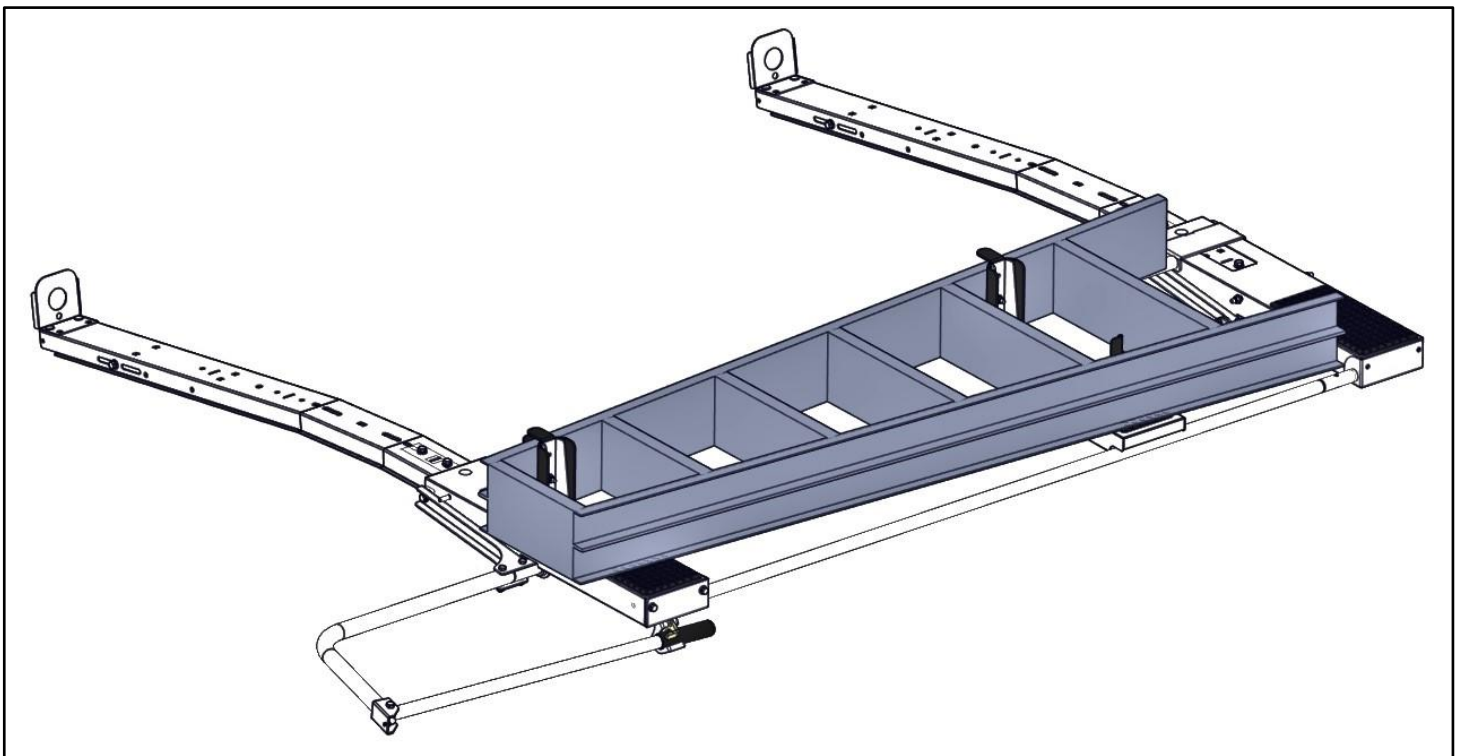
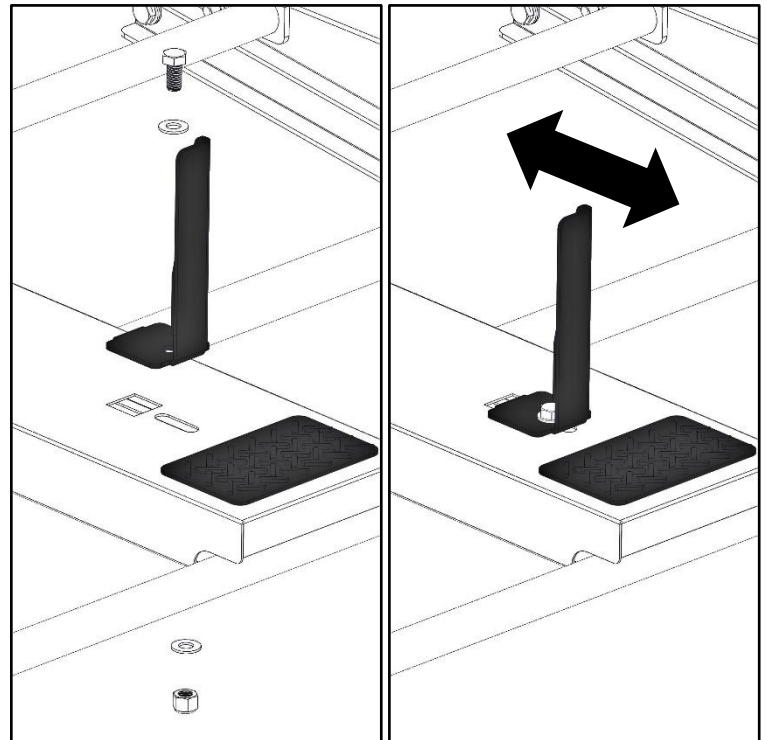
- Determine the location to install the previously removed ladder hook and ladder stop. Use the desired ladder to determine this location. Keep in mind, the ladder hook and ladder stop need to be spread far enough apart to keep the ladder secure while still allowing the ladder to be easily placed onto and removed from the rack.



- Install ladder hook using existing hardware in desired location.



- Install ladder stop using existing hardware.
- Ladder stop can slide in the given slot. **Be sure to adjust appropriately for the ladder that will be used.**

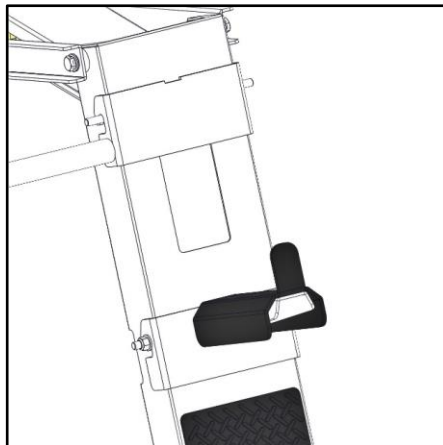
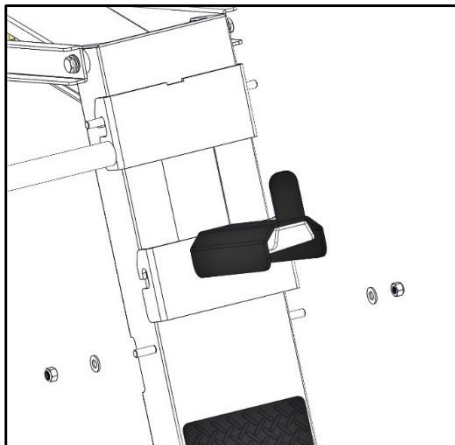
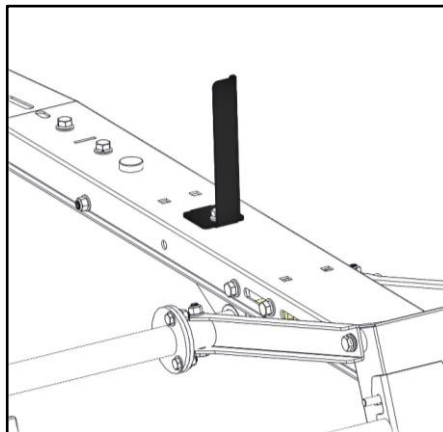
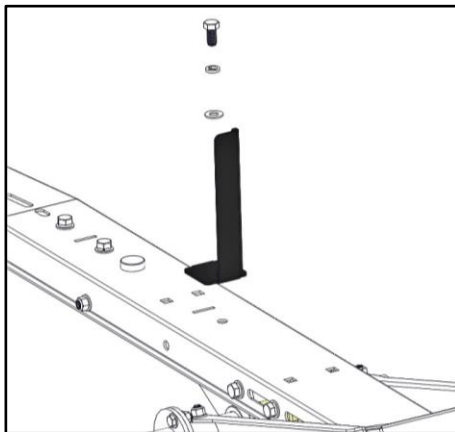
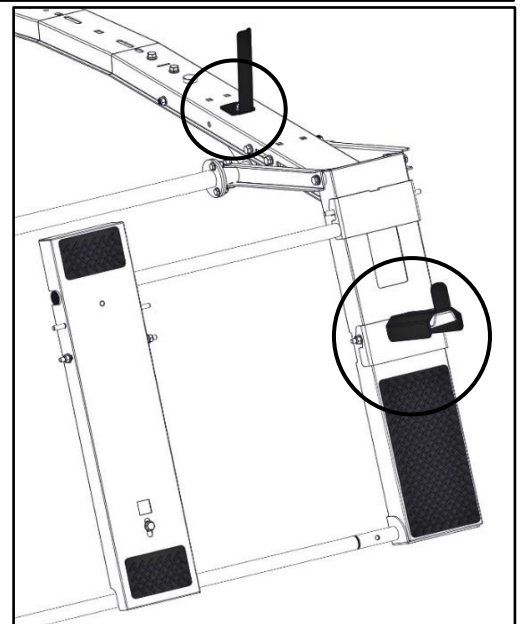
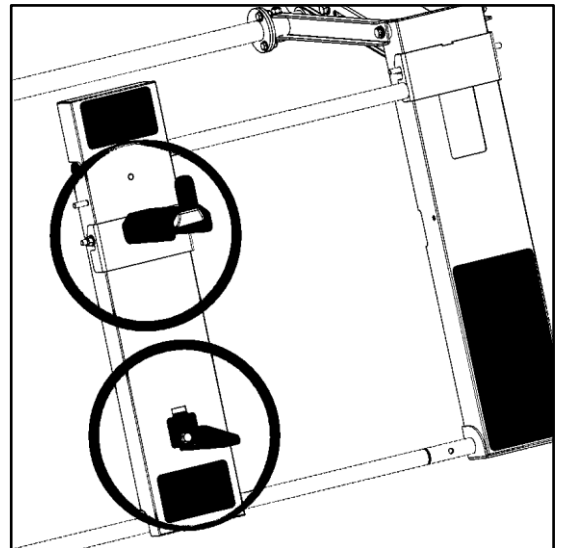


NOTE: The 40816/4A816 is designed **ONLY** to be used with step ladders that are less than 8ft long. If an 8ft or longer ladder or extension ladder application is needed, the ladder stop and ladder hook need to be removed from the 40816/4A816 and installed onto the pan per the following “When using an extension ladder” instructions located below.

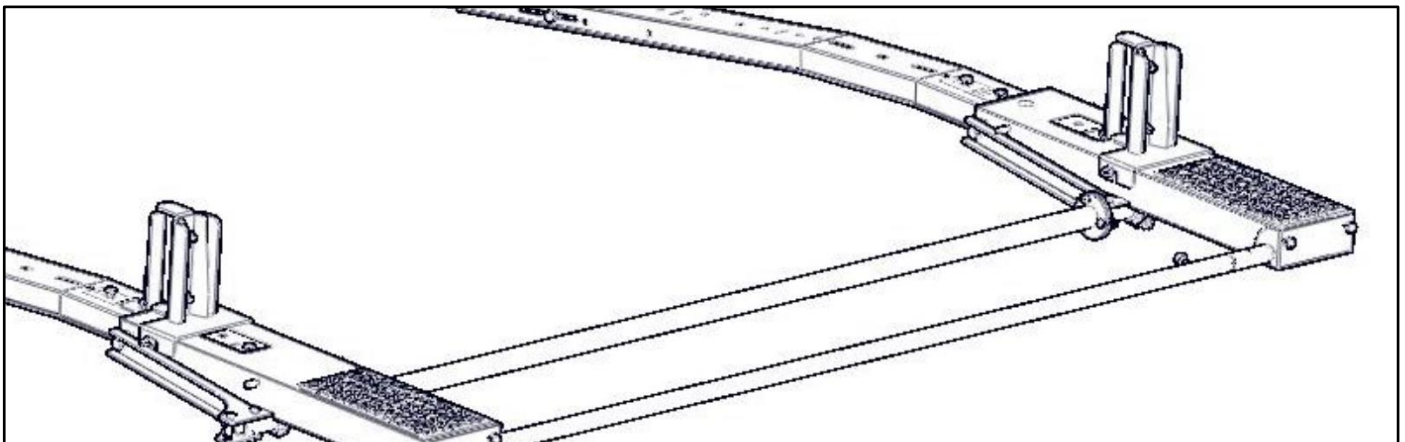
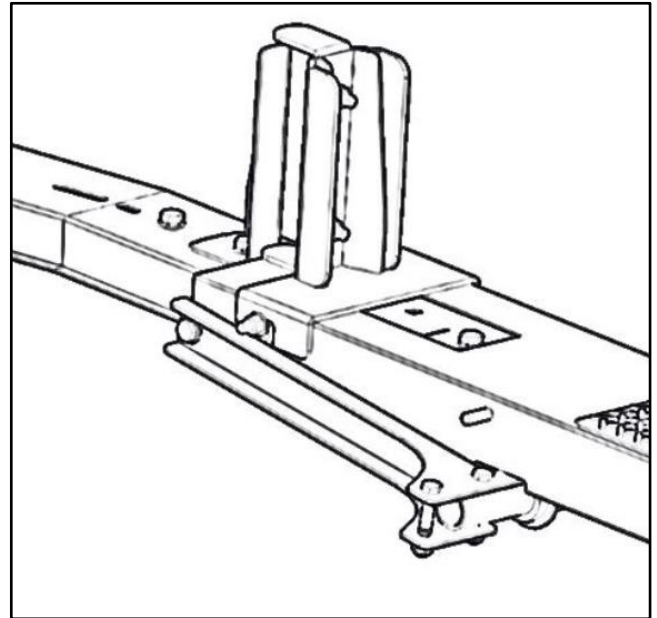
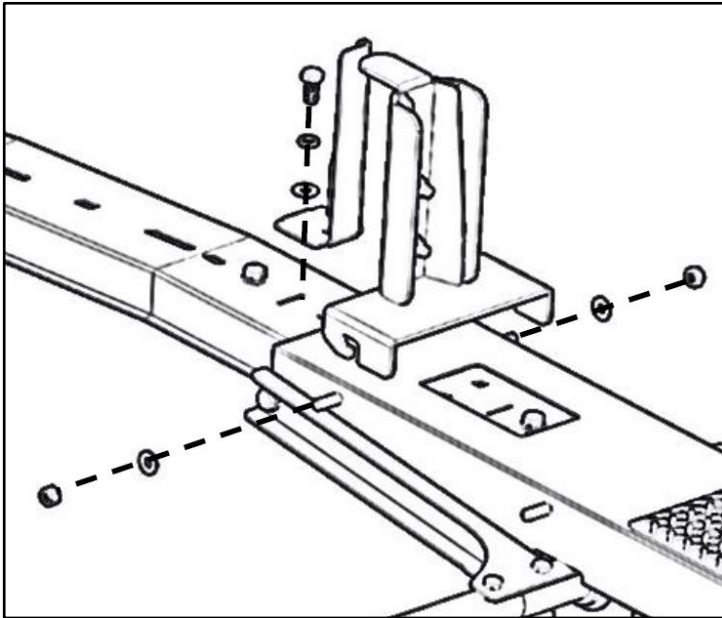
When using an extension ladder or Step Ladder that is 8ft or longer.

NOTE: In some situations it may be necessary to remove 40816/4A816 in order to use an extension ladder or step ladder that is 8ft or longer. Be sure that any extension ladder or step ladder that is 8ft or longer is secure and rests fully on the front and rear pans.

- Remove the ladder hook and the ladder stop from the 40816/4A816.
- Mount ladder hook to the front pan and ladder stop to the front bow in desired location as shown.



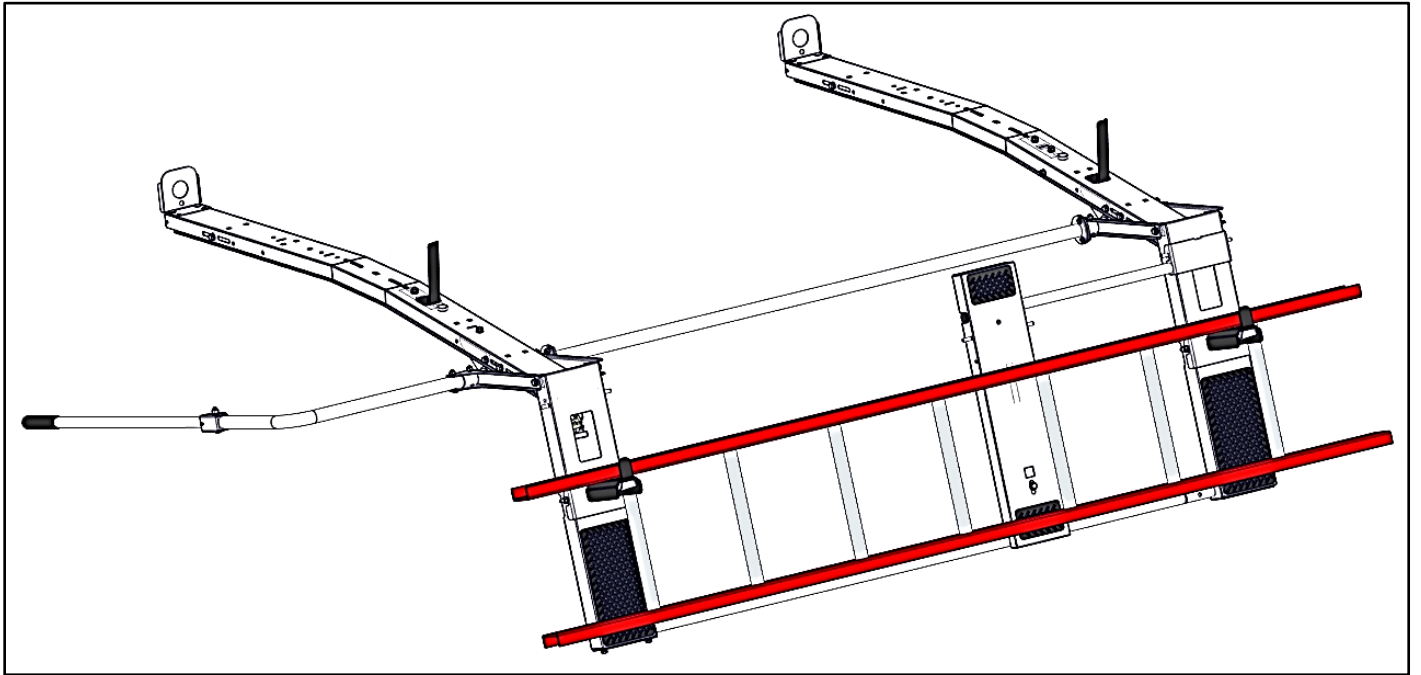
NOTE: For a step ladder that is 8ft or longer you must also move the rear ladder hook and stop to the upper position **ON THE REAR BOW ONLY** as shown below. This will require removing 4A816 on aluminum drop downs.



- Be sure to put the ladder stop and ladder hook back on the 40816/4A816 if step ladder application is needed. Follow the “When using a Step Ladder that is shorter than 8ft.” instructions.
- Be sure to return the rear ladder stop and ladder hook back to the lower position if shorter step ladder application is needed.



The following is a correct use of extension ladder with 40816/4A816.



The following is the incorrect use of extension ladder with 40816/4A816.

