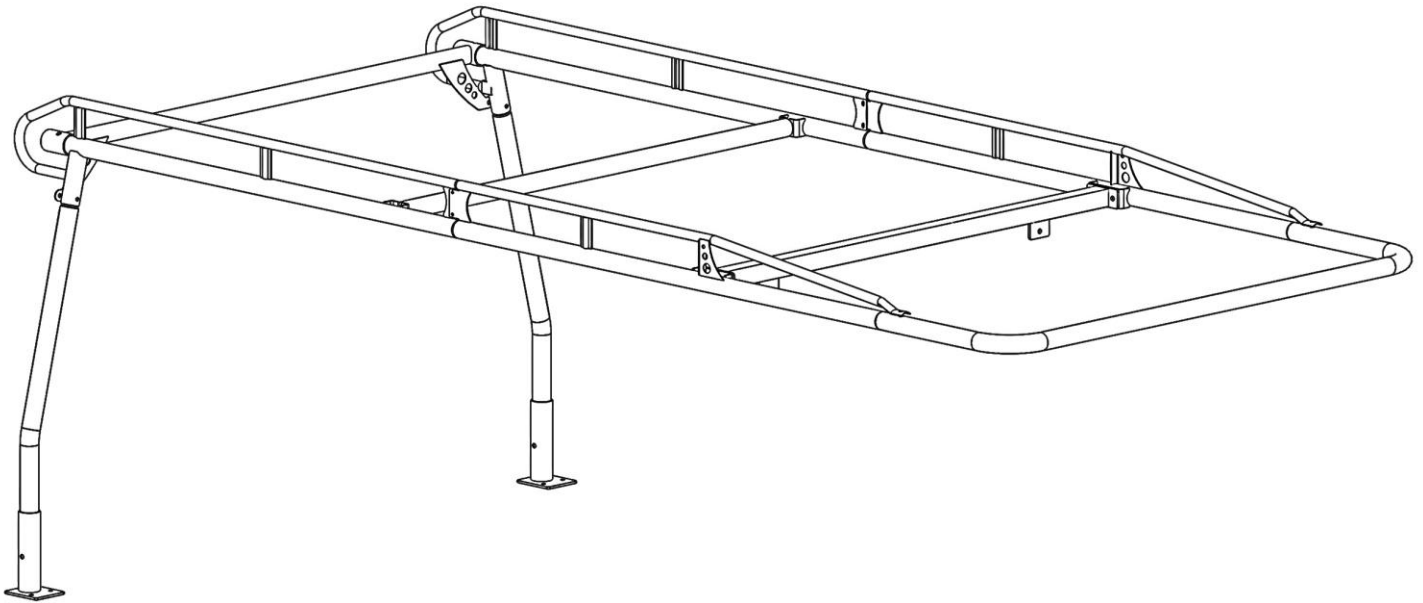


Holman

Installation Guide Pro II Platform Body Rack



Holman
Rancho Cordova, CA 95742
800-343-7486
InstallationSupport@Holman.com

*** PLEASE READ ALL INSTRUCTIONS AND WARNINGS PRIOR TO ASSEMBLING, INSTALLING, AND USING THIS PRODUCT. ***

Warning



Always check for wires, fuel tanks and lines, brake lines and other important vehicle functionality items prior to drilling and installing all products.



ALWAYS DISCONNECT BATTERY FROM VEHICLE PRIOR TO PERFORMING ANY WELDING TO FRAME OR BODY.



Too much weight will greatly reduce the stability of your vehicle. Holman makes no representation or warranty as to the amount of weight your vehicle can safely carry. For guidance, we recommend that you consult the vehicle manufacturer. **AT NO TIME SHOULD THE WEIGHT OF THE VEHICLE, RACK, DRIVER, PASSENGERS AND CARGO LOADED ON A HOLMAN RACK EXCEED EITHER THE GROSS VEHICLE WEIGHT RATIO (GVWR) OR THE GROSS AXLE WEIGHT RATIO (GAWR) AS SPECIFIED BY THE VEHICLE MANUFACTURER.**



Do not use your rack with the rear cross bar removed. Removal of rear crossbar will affect structural integrity of the rack.



Secure all payloads properly for safe transportation.



A large area is required to assemble rack. Be sure to keep area clear of trip and fall hazards.

Tools Needed

9/16", 3/4" Box Wrenches	9/16", 1/2", 3/4" Socket Wrench
5/16" Allen Wrench*	5/8" Deep Socket Wrench
3/8" Drill Bit	Drill
Center Punch	Hammer
Locking C-clamp	Torque Wrench

*Included.

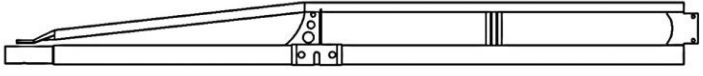

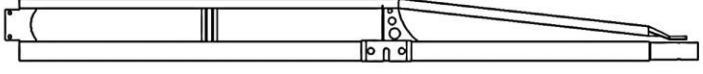
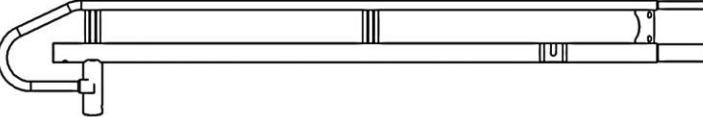


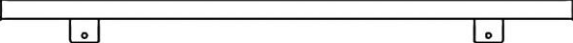
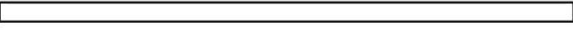

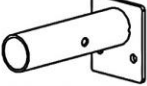
Table of Contents

Before You Begin	2
Parts List	3
Assembly Hardware Kit	4
Sealant Application	7
Step 1 – Join Side Channels	7
Step 2 – Attach Front Tube	8
Step 3 – Attach Center Crossbar	8
Step 4 – Attach Front Legs and Front Crossbar.....	8
Step 5 – Attach Rear Legs.....	9
Step 6 – Attach Rear Crossbar.....	10
Step 7 – Installation Preparation	10
Step 8 – Mount to Headache Rack.....	11
Step 9 – Foot Installation	12
Step 10 – Attach Rack to Vehicle	12

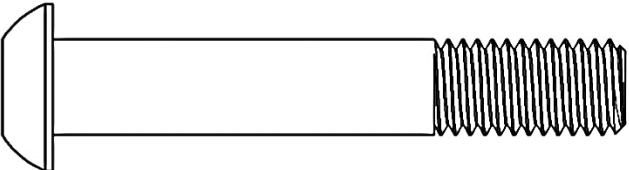
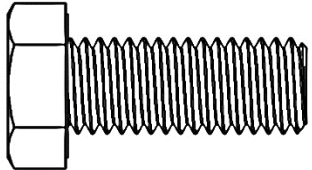
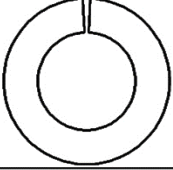
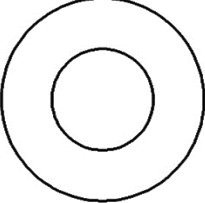
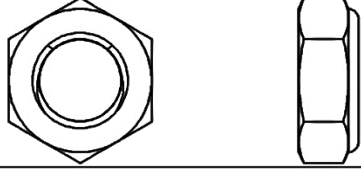

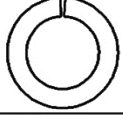

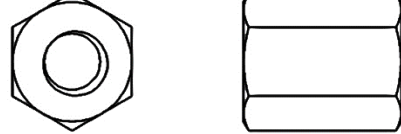
Before You Begin

- Read all instructions prior to assembling or installing any Holman product.
- Follow each step in proper sequence, for ease and speed in assembling your Holman rack.
- **Be sure the side channel kit is correct.**
 - a. Side Channel kit 78000 fits an 8ft body mounted on a standard cab chassis.
 - b. Side Channel kit 78010 fits an 8ft body mounted on an extended cab chassis.
 - c. Side Channel kit 79000 fits a 9ft body mounted on a standard cab chassis.
 - d. Side Channel kit 79010 fits a 9ft body on an extended cab chassis and 11ft body mounted on a standard cab chassis.

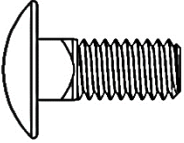
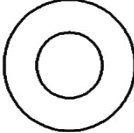



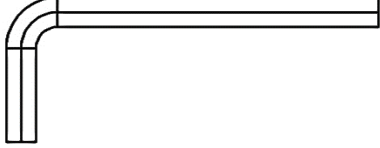
Parts List

NO.	ITEM	PART NUMBER	DESCRIPTION	QTY.
1		78000 / 100636 78010 / 100635 79000 / 100687 79010 / 13-00822	SIDE CHANNEL, FRONT PS RH	1
2		78000 / 100638 78010 / 100630 79000 / 100630 79010 / 13-00819	SIDE CHANNEL, REAR PS RH	1
3		78000 / 100637 78010 / 100634 79000 / 100688 79010 / 13-00821	SIDE CHANNEL, FRONT DS LH	1
4		78000 / 100639 78010 / 100631 79000 / 100631 79010 / 13-00820	SIDE CHANNEL REAR DS LH	1
5		11-00004	FRONT TUBE FS	1
6		13-00826	REAR CROSS BAR FS	1
7		13-00825	PLATFORM BODY FRONT CROSSBAR	1
8		13-00028	CENTER CROSSBAR	1
9		100915	PLATFORM BODY REAR LEG	2
10		13-00827	PLATFORM BODY REAR FOOT	2
11		18-00280	HARDWARE KIT	

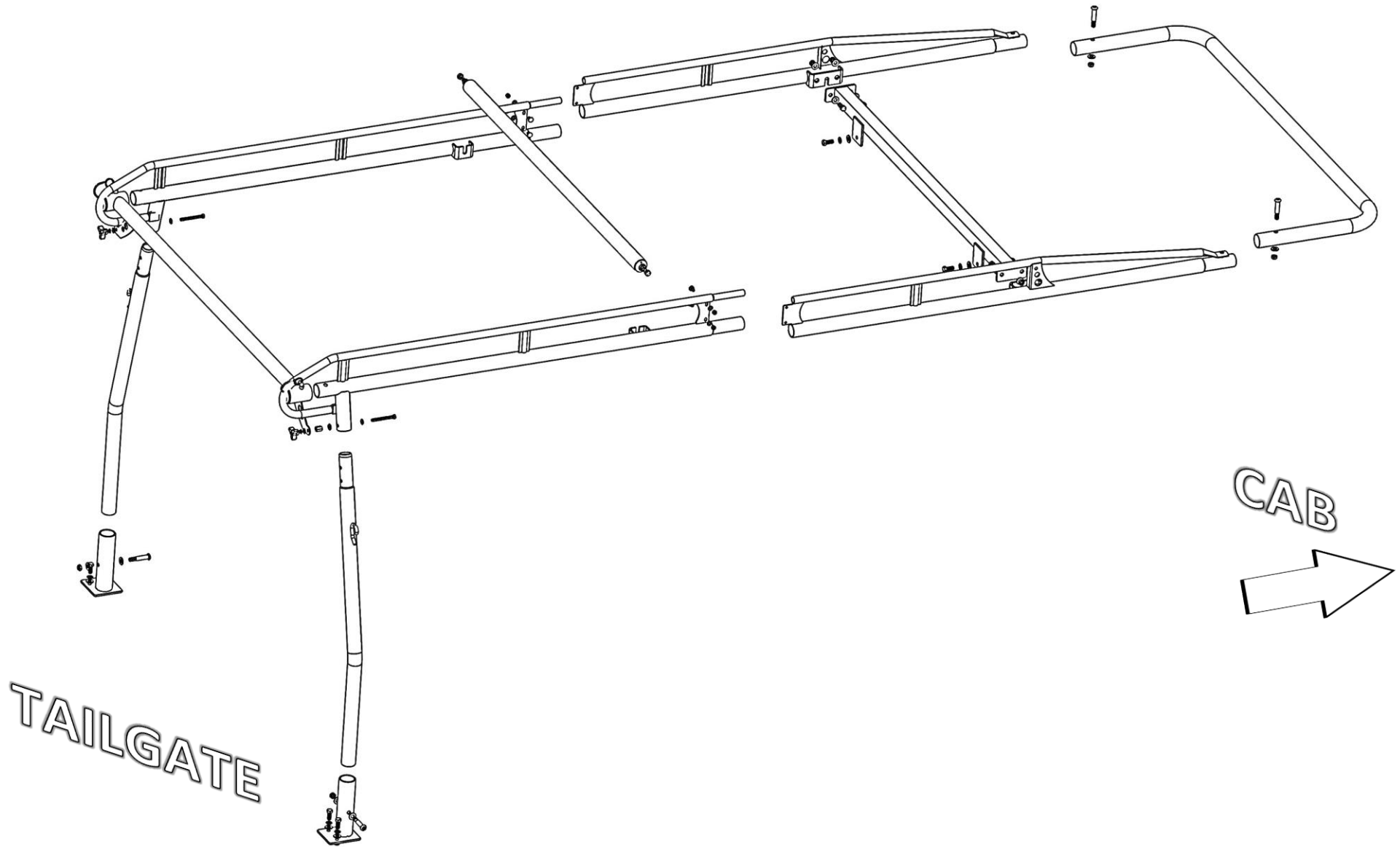
Assembly Hardware Kit

ITEM	HARDWARE TO SCALE	PART NUMBER	DESCRIPTION	QTY.
1		42KD91	1/2"-13 X 3" BUTTON HEAD CAP SCREW	4
2		11241379	1/2-13 X 1-1/4" HEX HEAD BOLT	12
3		0171934	1/2" LOCKING WASHER	8
4		11541086	1/2" WASHER	28
5		37695	1/2"-13 THIN LOCKING JAM NUT	14
6		13819	3/8"-16 X 3-1/2" HEX HEAD BOLT, FULL THREAD	2
7		0123496	3/8" SPLIT LOCK WASHER	2
8		11541089	3/8" WASHER	6
9		-	3/8"-16 X .827" COUPLING NUT	2

Assembly Hardware Kit (Cont.)

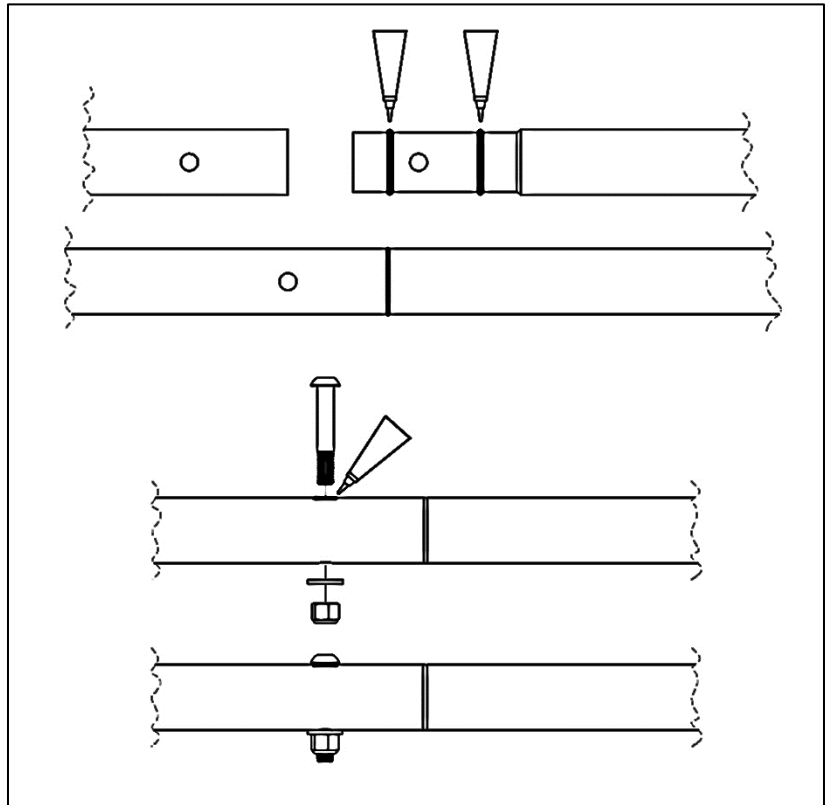
ITEM	HARDWARE TO SCALE	PART NUMBER	DESCRIPTION	QTY.
10		21810	5/16"-18 X 3/4" CARRIAGE BOLT	4
11		33080	5/16" WASHER	4
12		0169777	5/16"-18 LOCK NUT	4
13		11101570	3/8"-16 3-ARM KNOB (1:2 SCALE)	2
14		13-00003	CAP AND LOCK PIN	2
15		26528	5/16" HEX KEY WRENCH	1
16		-	SELF-LEVELING ADHESIVE SEALANT	2

PRO II TRUCK RACK EXPLODED VIEW



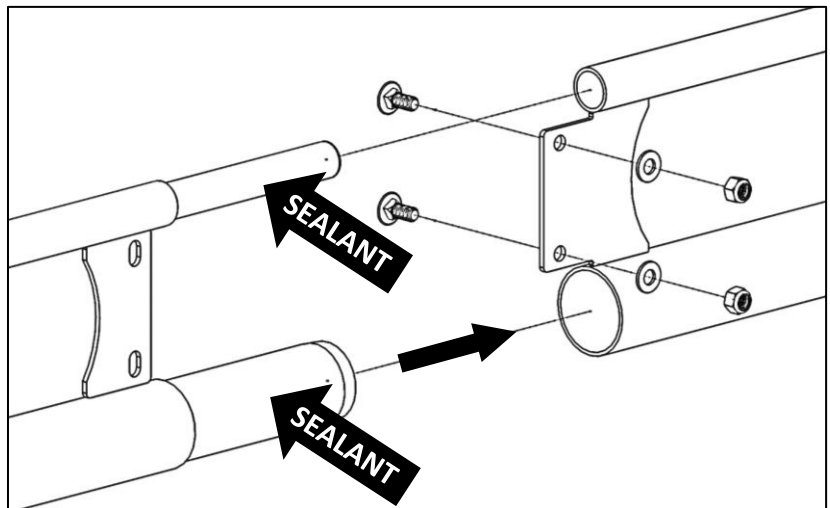
Sealant Application

- Proper sealant application is critical to preventing water penetration inside the rack.
- Apply a healthy bead of sealant around every swaged joint as shown. Improper sealing can lead to water penetration and rust on inside surfaces.
- Wipe any excess sealant off immediately with a plastic scraper or paper towel. Any smeared sealant can be rubbed off as soon as sealant dries.
- Maintain this seal throughout the life of your rack.



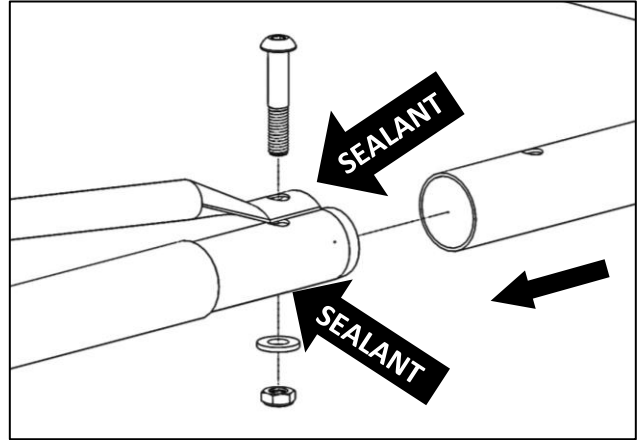
Step 1 – Join Side Channels

- Unpack side channels from box. Lay flattened box on ground and use for scratch protection while building rack.
- Be sure you have correct front and rear side channels paired.
- Apply sealant to both top and bottom swage joints.
- Insert rear side-channel swaged joints into front side-channel tubes until bolt holes in splice plates align.
- Using 5/16" x 3/4" carriage bolts, 5/16" washers, and 5/16" lock nuts, securely fasten channels together.
- Remove excess sealant.
- Repeat process for opposite side.



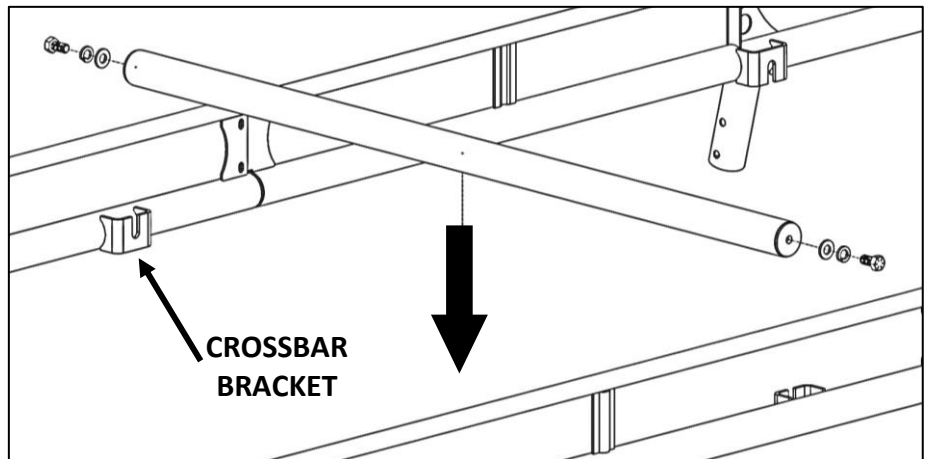
Step 2 – Attach Front Tube

- Apply sealant to front side-channel swaged joint.
- Insert front side-channel swaged joint into front tube until bolt holes in tube and side-channel align.
- Loosely fasten front tube to side channel using 1/2" x 3" partially threaded button head screw, 1/2" washer, and 1/2" lock nut.
- Remove excess sealant.
- Repeat process on opposite side.



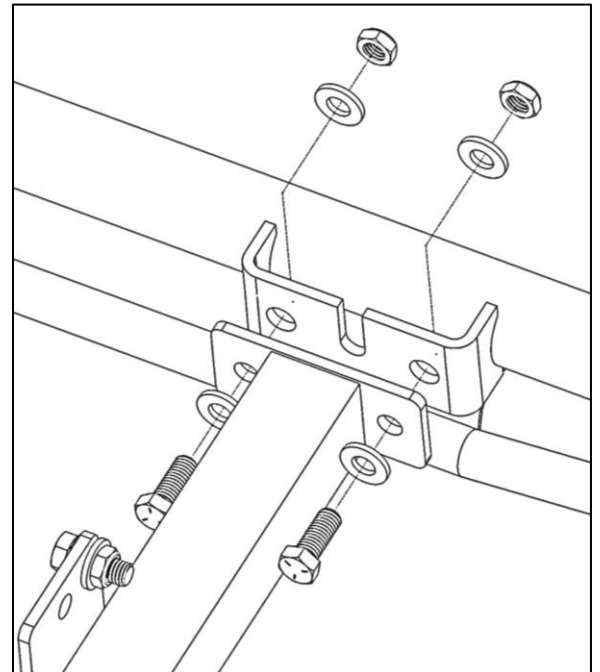
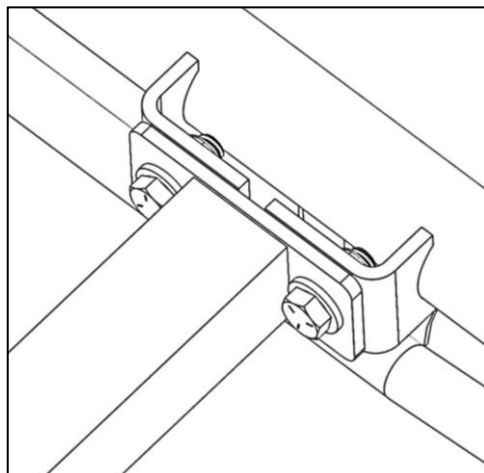
Step 3 – Attach Center Crossbar

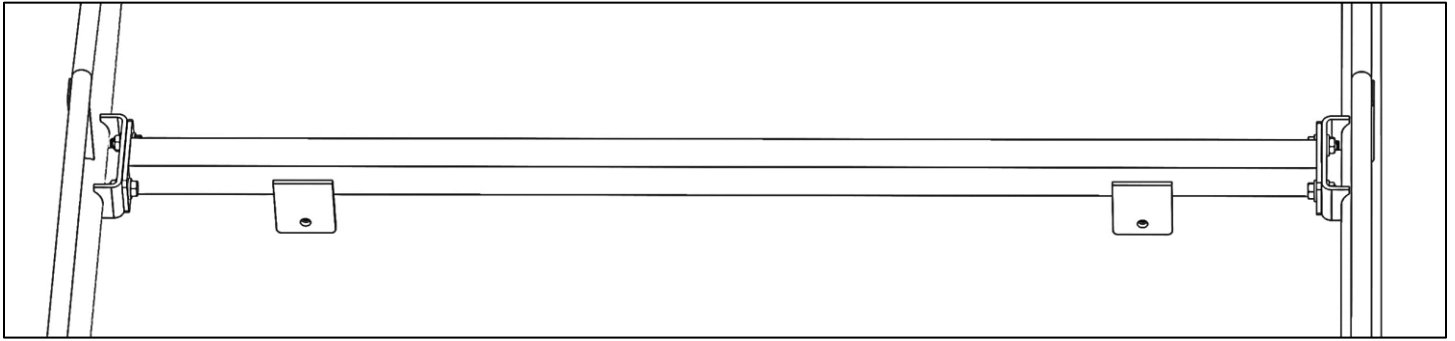
- Thread one 1/2" x 1-1/4" hex bolt, one 1/2" lock washer, and one 1/2" washer about 1/4" most of the way into each end of center crossbar.
- Insert center crossbar into center crossbar bracket. Be sure 1/2" washers are NOT between crossbar and crossbar bracket.
- Lightly tighten 1/2" bolts on both sides.



Step 4 – Attach Front Legs and Front Crossbar

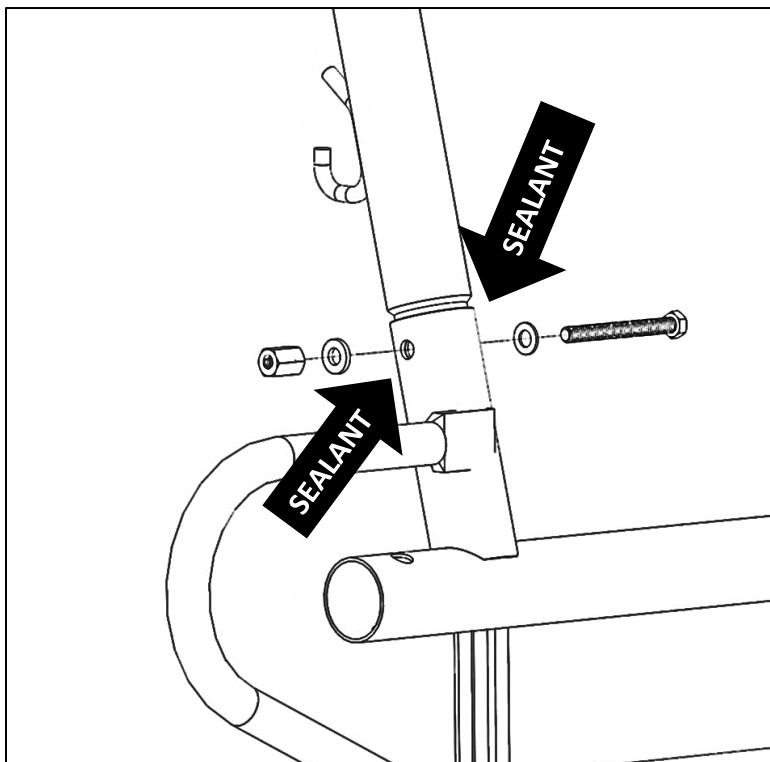
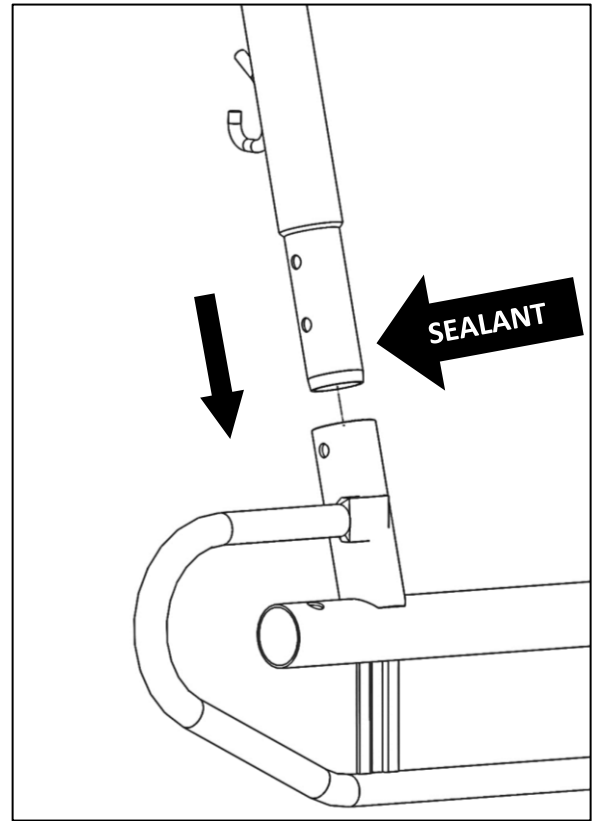
- Flip rack upside down.
- Bolt two 1/2" x 1-1/4" hex bolts, four 1/2" lock washers, and two 1/2" flat washers through the front crossbar and side channel bracket. Be sure flanges on front crossbar are towards the bottom of the rack.
- Snug tighten but allow for movement.
- Repeat for opposite side.





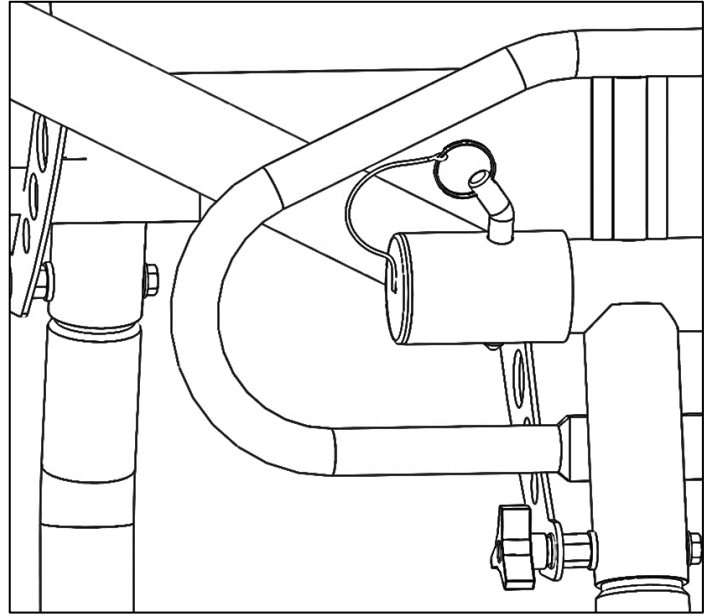
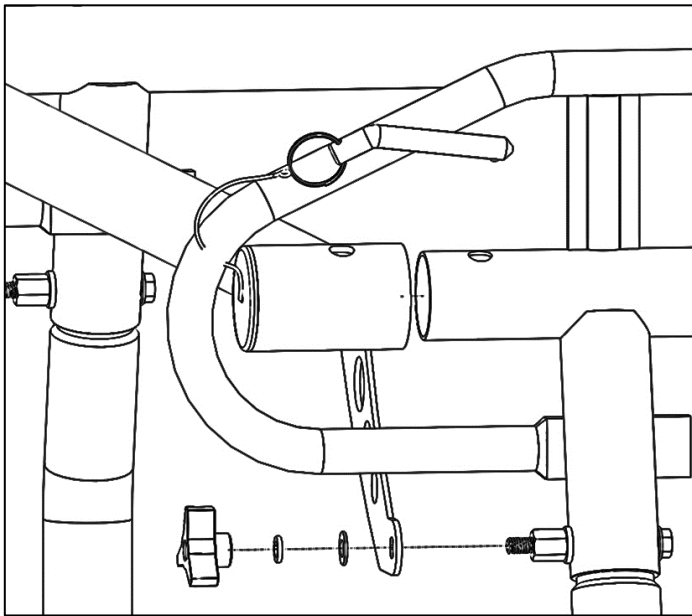
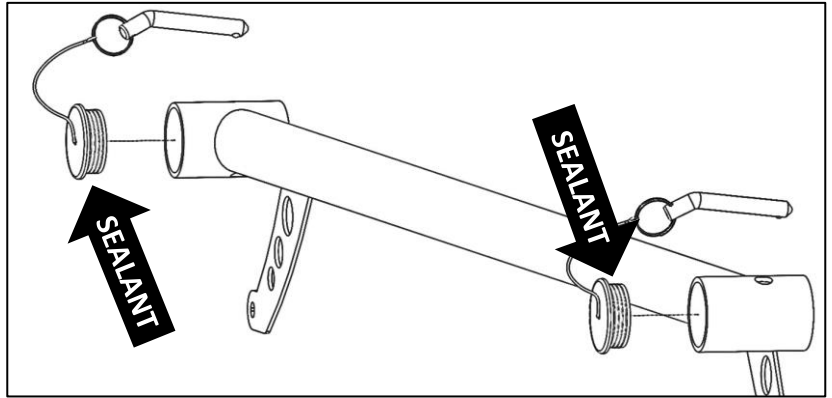
Step 5 – Attach Rear Legs

- Apply sealant to swaged joint on one leg and around holes in leg cup.
- Orient leg correctly with side channel, with rope hook away from center of rack, and then insert leg into leg cup until holes through leg and leg cup align.
- Be sure to apply sealant around bolt between each washer and leg cup as you assemble.
- Lightly fasten leg to leg cup using , one 3/8" x 3-1/2" fully-threaded hex head bolt, two 3/8" washers, and one 3/8" coupling nut. Make sure a washer and the coupling nut are towards rear of rack.
- Remove excess sealant.
- Repeat process on opposite side.



Step 6 – Attach Rear Crossbar

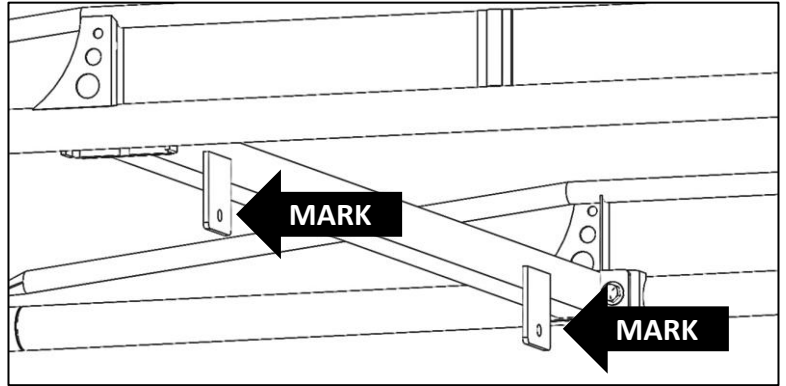
- Apply sealant to around black cap fastening flanges.
- Using a rubber mallet or dead blow hammer, tap black cap into rear crossbar tubing on the side opposite the gusset welded to the rear crossbar.
- Remove excess sealant.
- Flip rack right side up.
- Slide rear crossbar ends onto rear side-channel tubes.
- Insert lock pin through holes in rear crossbar end and rear side-channel tube.
- Lightly fasten rear crossbar using one 3/8" washer, 3/8" lock washer, and 3/8" knob.
- Repeat on opposite side.



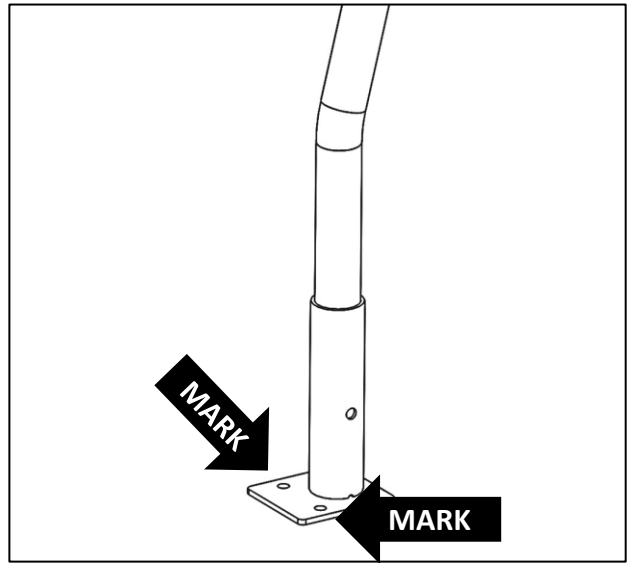
Step 7 – Installation Preparation

- Set the rack on the flatbed with the legs inserted into the feet, level the side channels, and then place the front crossbar against the forward mounting surface or headache rack.
- If a gap exists between the front crossbar mounting holes and the intended mounting location:
 - Measure the height difference between the two.
 - Cut the amount measured from the bottom of the rear legs. Be sure to cut the legs the same and that the cut is square to the leg.
 - Set the rack back on the flatbed with the legs inserted into the feet.

- Mark the location of the front crossbar holes onto the mounting surface.

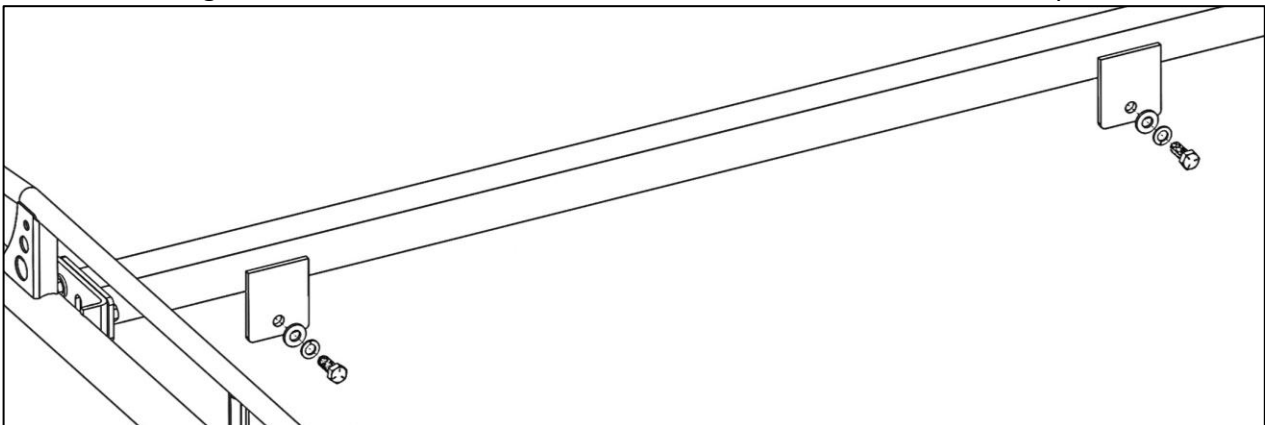


- Rotate the rear foot so the holes in the mount plate are optimally sitting on the steel channel frame of the platform body.
- Mark the location of the foot mounting holes. **Be sure the rear takeout crossbar is sitting loosely before marking.**
- Set the rack aside.



Step 8 – Mount to Headache Rack

- Drill a 7/16" hole through at each of locations marked on the forward mounting surface or headache rack.
- Tap each hole to a 1/2"-13 thread.
- Bolt the front crossbar to the vehicle using 1/2" x 1-1/4" bolts, 1/2" lock washers, and 1/2" flat washers.
- NOTE: If mounting to a flat surface, additional 1/2" washers and 1/2" lock nuts are provided.



Step 9 – Foot Installation

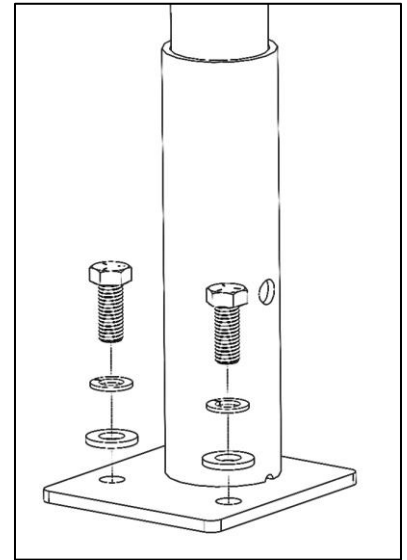


If mounting feet using hardware, it is recommended the feet are secured to the truck bed using all four foot mounting holes.

- Attach the rear foot to the platform body frame by one of the two following methods.
 - Weld the foot to the platform body frame.

OR

- Drill a 7/16" hole through the flatbed frame at each of the four holes in the feet.
- Tap each hole to a 1/2"-13 thread.
- Bolt the feet to the frame using 1/2" x 1-1/4" bolts, 1/2" lock washers, and 1/2" flat washers.

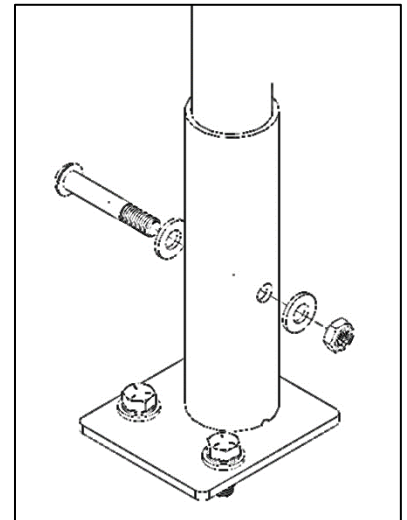


Step 10 – Attach Rack to Vehicle

- Secure the rear legs to the mounting cups by one of the two following methods.
 - Weld the leg to the foot.

OR

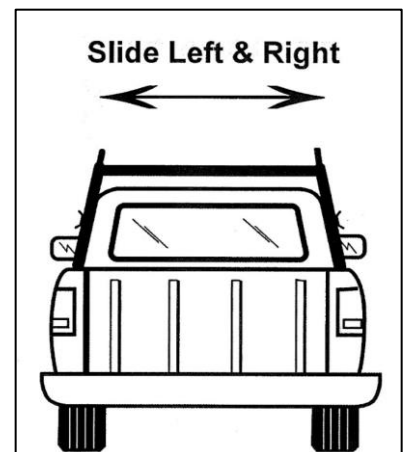
- Drill a 1/2" hole all the way through the leg corresponding to the horizontal hole in foot.
- Using 1/2" x 3" bolts, 1/2" lock washers, and 1/2" flat washers, bolt the leg to the foot.



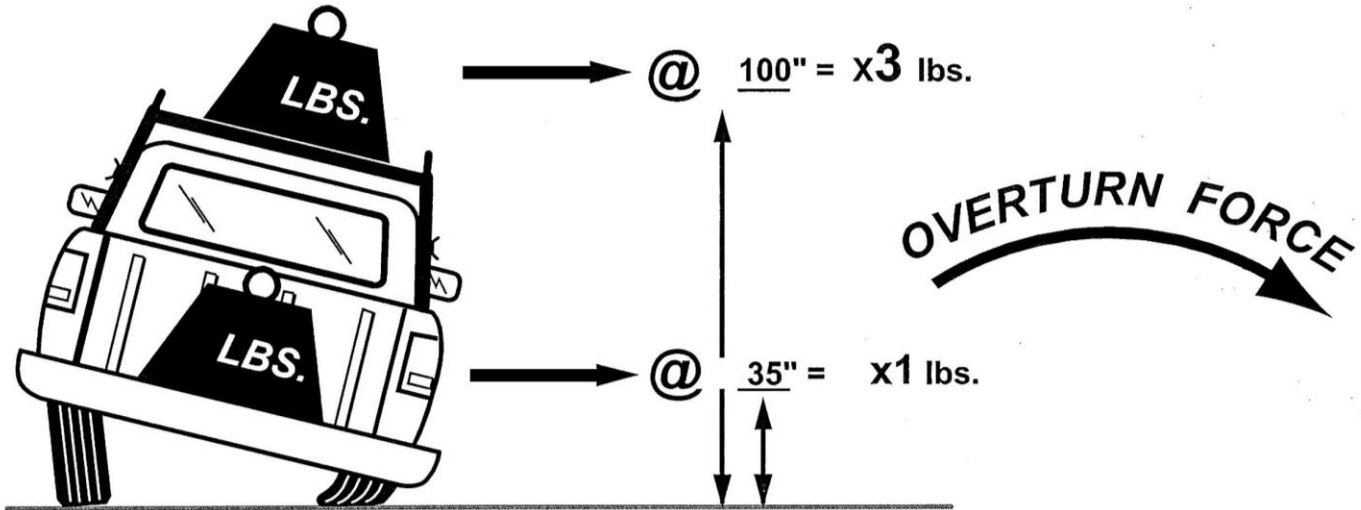
- Verify rear crossbar lock-pin pulls in and out easily. If necessary, loosen rear crossbar knobs and center crossbar, and then slide rear crossbar hard left then right about 10 times to get lock-pins to seat properly.

GO BACK AND TIGHTEN ALL HARDWARE.

INSTALLATION AND ASSEMBLY ARE COMPLETE.



DON'T OVERLOAD YOUR VEHICLE!



WEIGHT CARRIED ABOVE THE FLOOR OF THE TRUCK BED (E.G. ON AN OVERHEAD TRUCK RACK) WILL SIGNIFICANTLY INCREASE THE VEHICLE'S TENDENCY TO OVERTURN. ALWAYS KEEP HEAVY LOADS EVENLY DISTRIBUTED AND AS LOW AS POSSIBLE. IT IS IMPORTANT TO NOTE THAT THE HOLMAN RACK LOAD BEARING CAPACITY OF 1700 LBS. MAY BE GREATER THAN YOUR TRUCK'S GAWR OR GVWR CAPACITY, AND IS PROBABLY GREATER THAN THE WEIGHT THAT CAN BE SAFELY CARRIED OVERHEAD. RETIGHTEN ALL BOLTS AFTER FIRST USE, PERIODICALLY CHECK BOLTS FOR TIGHTNESS.

For *TECHNICAL SUPPORT* Call:

1.800.343.7486

or email: InstallationSupport@Holman.com