

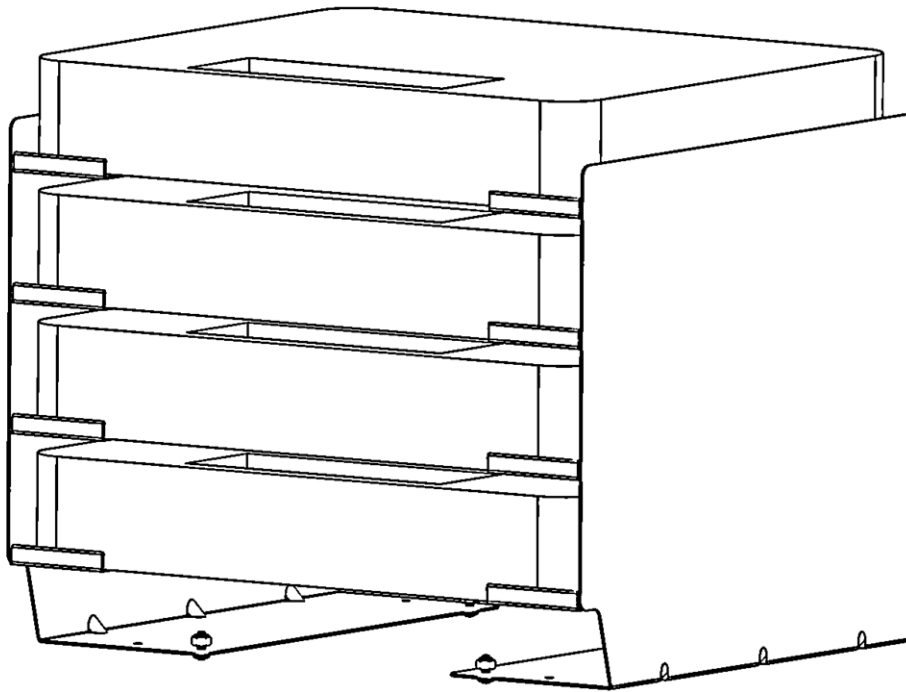
# Holman

---

## Installation Guide

### 40380

---



---

Holman  
Rancho Cordova, CA 95742  
800-343-7486

[InstallationSupport@Holman.com](mailto:InstallationSupport@Holman.com)

---

**PLEASE READ ALL INSTRUCTIONS AND WARNINGS PRIOR TO ASSEMBLING, INSTALLING, AND USING THIS PRODUCT.**

---

**Warning**



Always check for wires, fuel tanks and lines, brake lines and other important vehicle functionality items prior to drilling and installing all products.

---

**Tools Needed**

Phillips Driver	1/4" Drill Bit (optional)
Drill (optional)	

---

**Table of Contents**

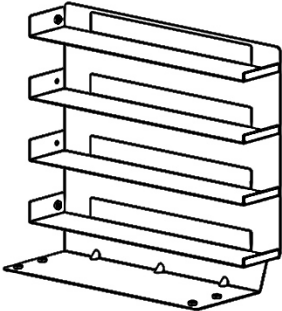
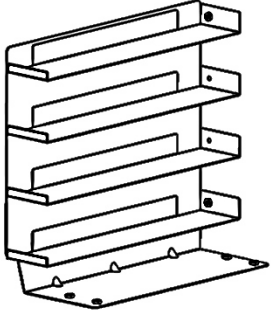
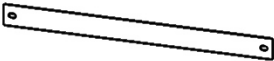
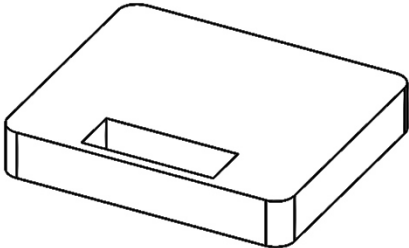
Parts List .....2  
Hardware List .....2  
Step 1 Assemble .....3  
Step 2 Find Location .....3  
Step 3 Attach .....4

---

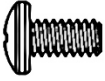
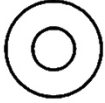

**Before You Begin**

- Read all instructions.
- **ENSURE SAFETY PRIOR TO DRILLING.**

## Parts

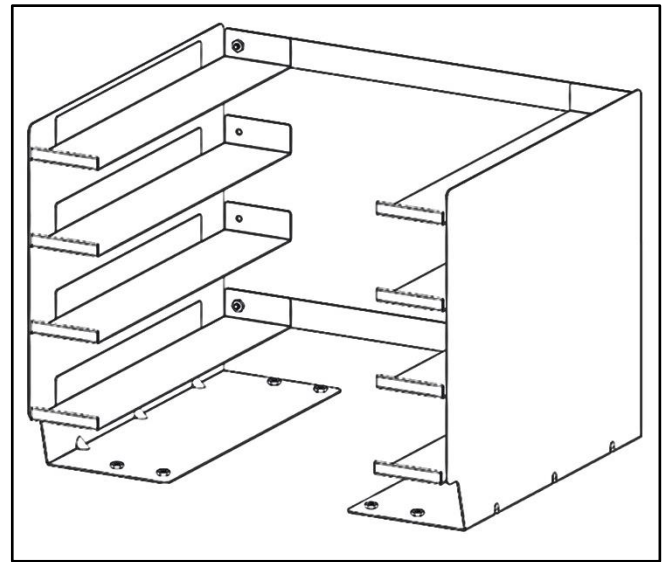
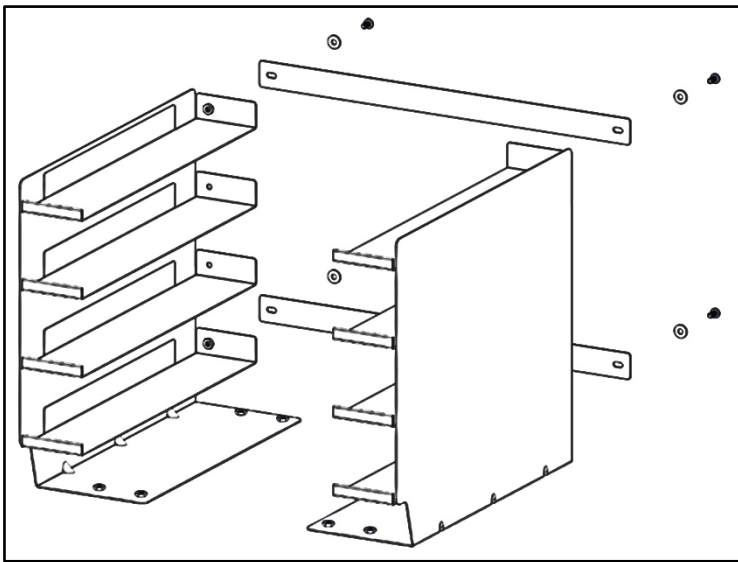
ITEM NO.		PART NUMBER	DESCRIPTION	QTY.
A		40380-10	Side Shelf ASM	1
B		Mirror40380-10	Mirror	1
C		40380-00-003	Back Support	2
D		KM40350	Bin Case	4
		18-40380	4-Tote Holder Hardware	1

## Hardware

ITEM NO.	TO SCALE	PART NUMBER	BOM	QTY.
1		90272A829	#10-32 x 1/2" Pan Head Screw	8
2		90126A514	#10 Flat Washer	8
3		90631A411	No10-32 Nyloc	8

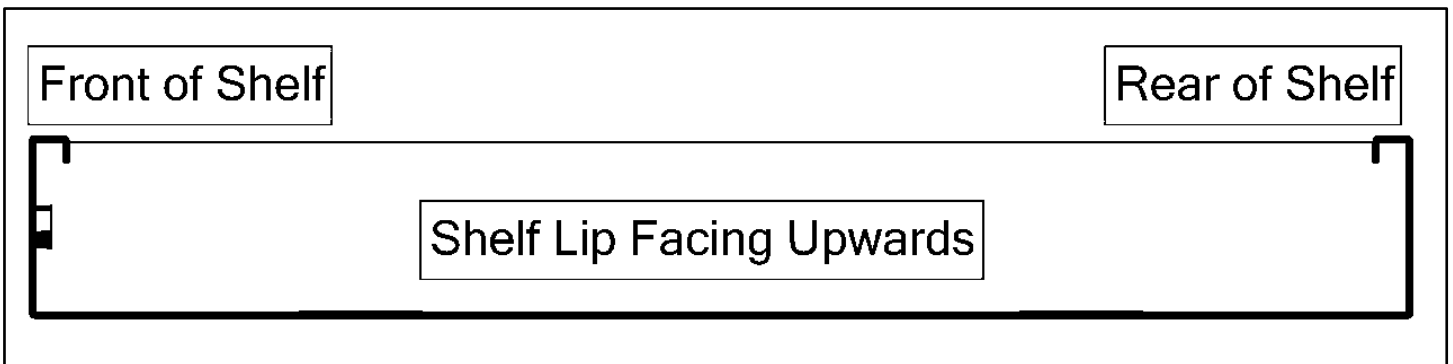
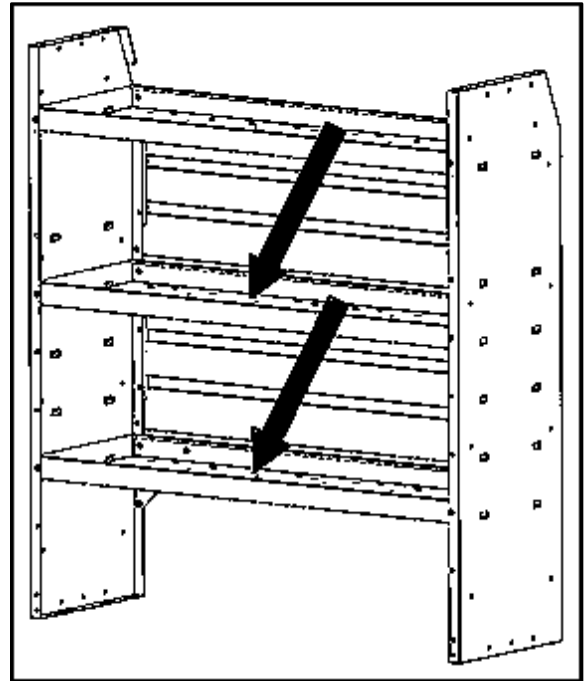
## Step 1 – Assemble Tote Holder

- Bolt both side assemblies to the back support in the orientation shown using #10 x 1/2" pan heads, #10 flat washers and #10 lock nuts.



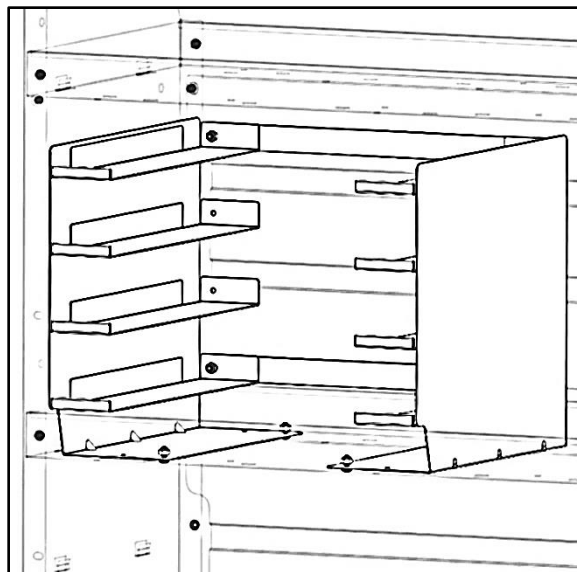
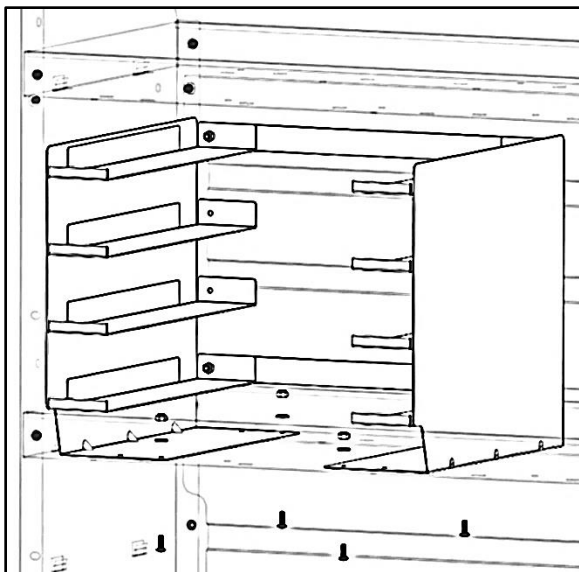
## Step 2 – Find Location

- Find desired location for tote holder to be installed.
- Slots and holes can be found along the shelf of most Holman shelf units. One can make use of these.
- If desired, place tote unit in any desired location, mark holes and drill with 1/4" drill bit.
- Be sure the shelves are in the position shown. The shelf lip should facing upwards.

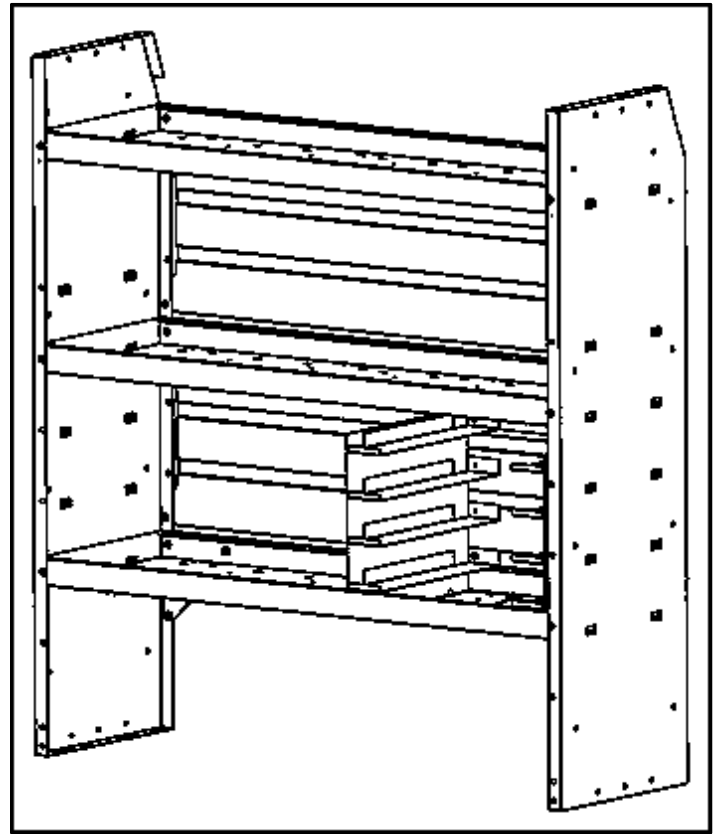
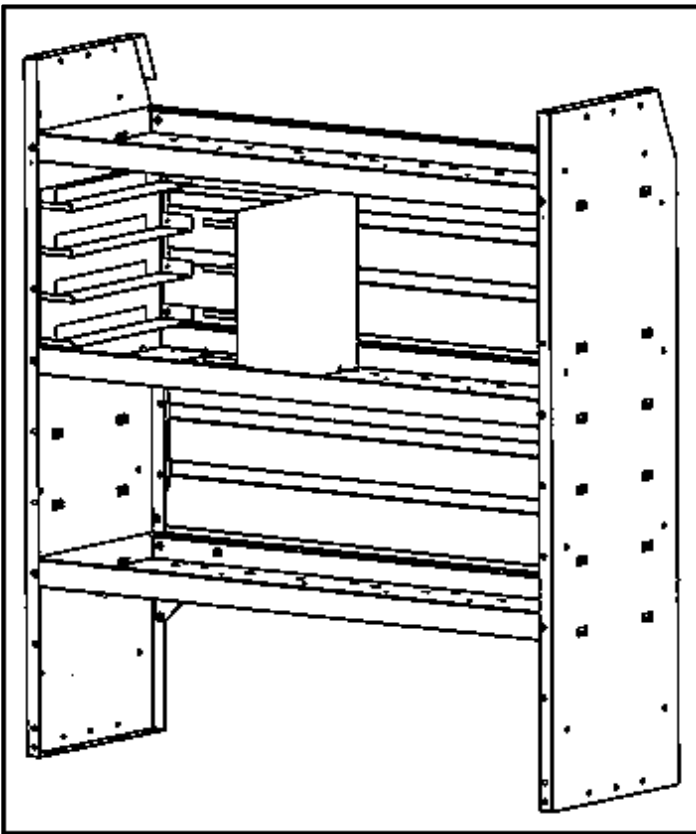


## Step 3 – Attach

- Bolt tote holder to shelf using a #10 x 1/2" pan heads, #10 flat washers and #10 lock nuts.



**Tote holders may be installed in a variety of different locations.**  
**Some examples are shown below.**



**Ensure all bolts are tight.**

**Your Installation is now complete.**