



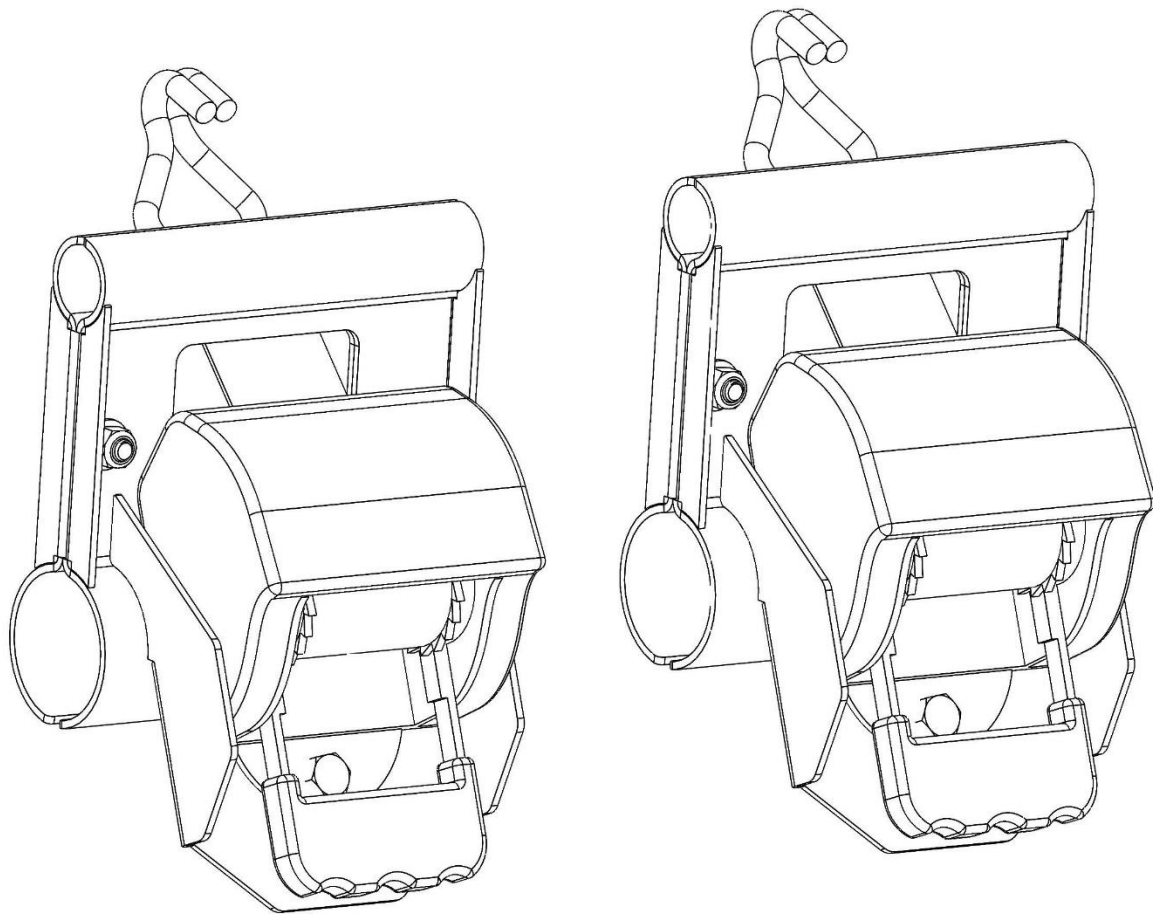
**WE PUT EVERYTHING WITHIN REACH.**

---

# Installation Guide

## 31490

---



---

Kargo Master  
Rancho Cordova, CA 95742  
800-343-7486  
CustomerService@KargoMaster.com

---

---

**\*PLEASE READ ALL INSTRUCTIONS AND WARNINGS PRIOR TO ASSEMBLING,  
INSTALLING, AND USING THIS PRODUCT\***

---

**Warning**



Always check for wires, fuel tanks and lines, brake lines and other important vehicle functionality items prior to drilling and installing all products.

---

**Tools Needed**

3/16" Allen Head Drive	1/2" Wrench and Socket
9/16" Wrench and Socket	

---

**Table of Contents**

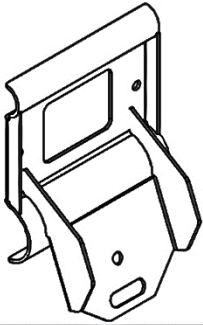
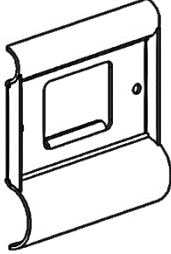
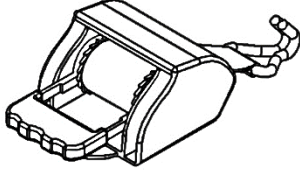
Parts List ..... 2  
Hardware List ..... 2  
Installation ..... 3

---

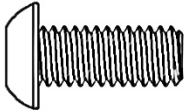
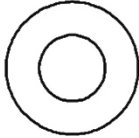


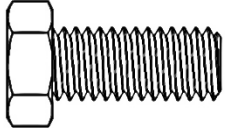
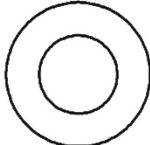


**Before You Begin**

- Read all instructions prior to installing any Kargo Master product.

**Parts**

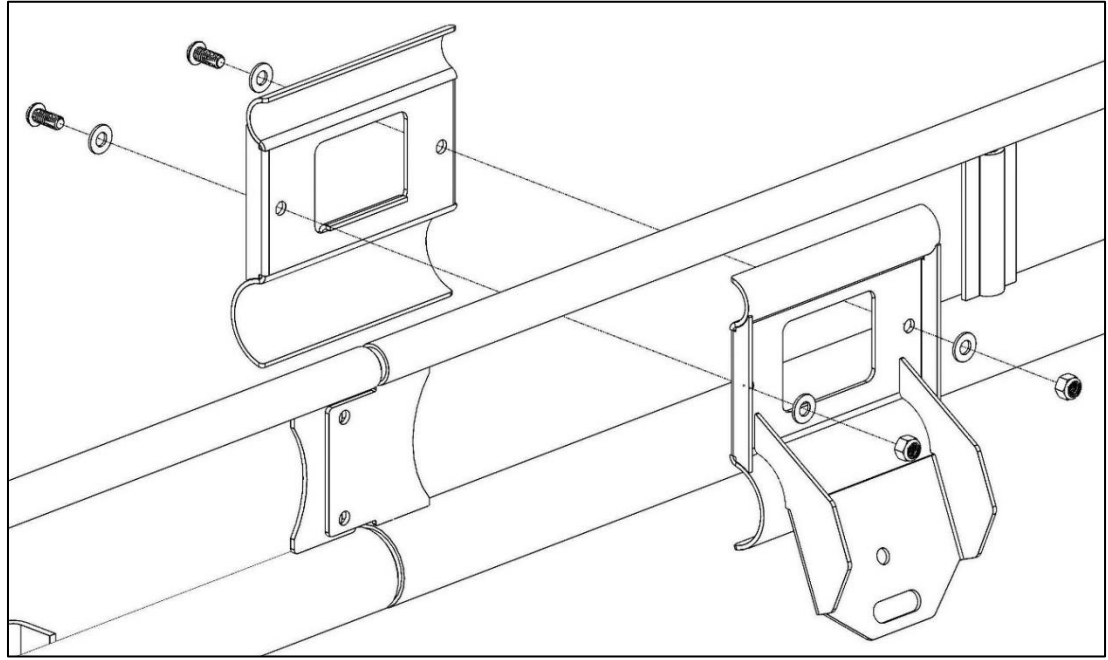
NO.	ITEM	PART NUMBER	DESCRIPTION	QTY.
1		13-00106	RATCHET SIDE CLAMP	2
2		11-00140	BACK SIDE CLAMP	2
3		-	LARGE RATCHET STRAP	2
4		18-31490	HARDWARE KIT	1

**Hardware**

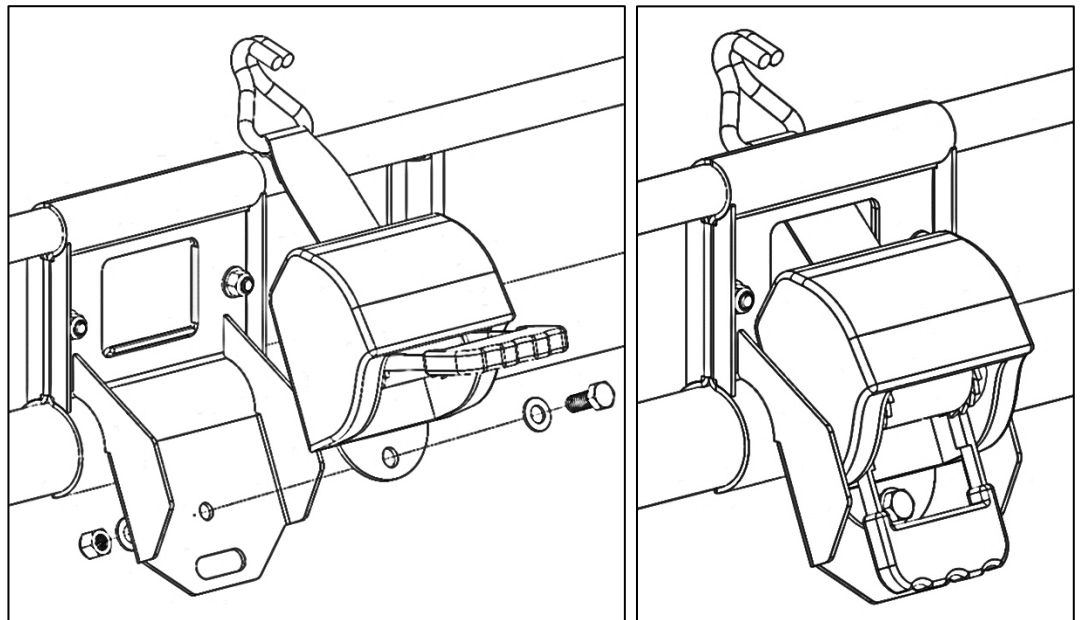
ITEM	HARDWARE TO SCALE	PART NUMBER	DESCRIPTION	QTY.
1		0153308	5/16"-18 X 3/4" BUTTON HEAD SCREW	4
2		33080	5/16" WASHER	8
3	 	0169777	5/16"-18 LOCK NUT	4
4		70054	3/8-16 X 7/8" HEX HEAD BOLT	2
5		0159723	3/8" WASHER	4
6	 	0169791	3/8"-16 LOCK NUT	2

## Installation

- Find desired location to attach ratchet strap mounts.
- Place ratchet side clamp on outside of ladder rack.
- Place back side clamp in position to pinch ladder rack between the two clamps as shown.
- Bolt together using two 5/16" x 3/4" button head screws, 5/16" flat washers, and 5/16" lock nuts.



- Using a 3/8" x 7/8" hex head screw, 3/8" washers, and 3/8" lock nut, bolt the ratchet strap to the ratchet strap mount as shown.
- Repeat for other set of clamps and brackets.



**TIGHTEN ALL HARDWARE.**

**YOUR INSTALLATION IS NOW COMPLETE.**