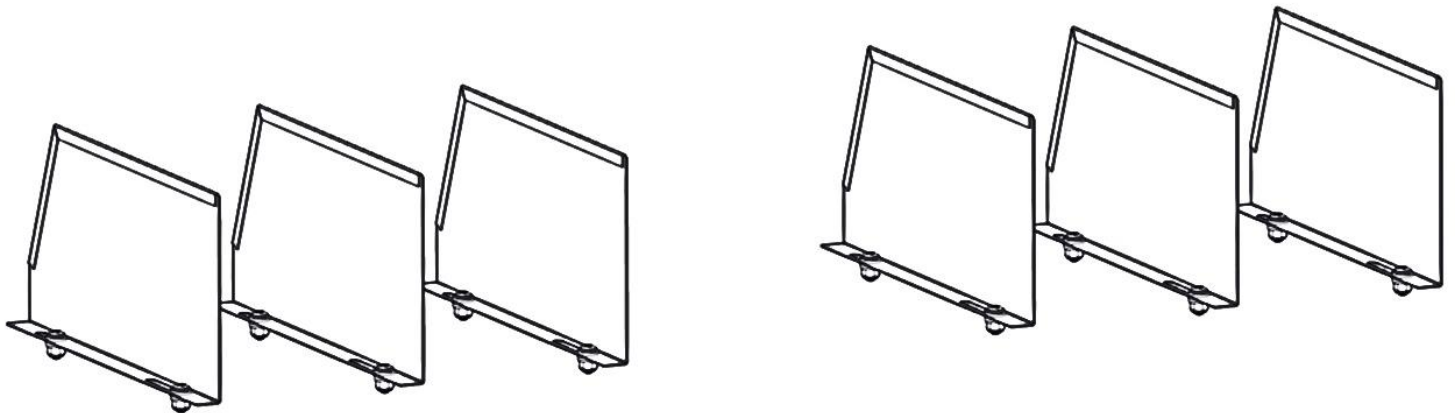


Holman

Installation Guide

40030



Holman
Rancho Cordova, CA 95742
800-343-7486
InstallationSupport@Holman.com

*** PLEASE READ ALL INSTRUCTIONS AND WARNINGS PRIOR TO ASSEMBLING, INSTALLING, AND USING THIS PRODUCT. ***

Warning



Always check for wires, fuel tanks and lines, brake lines and other important vehicle functionality items prior to drilling and installing all products.

Tools Needed

Phillips Driver	7/16" Wrench and Socket
1/4" Drill	

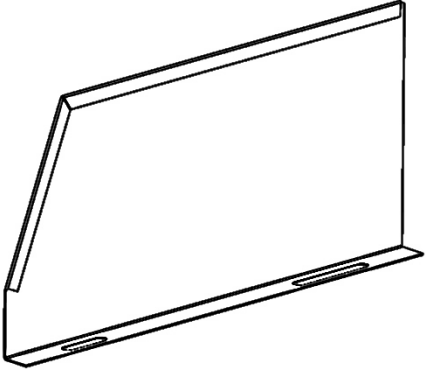
Table of Contents

Parts List	2
Hardware List	2
Step 1 - Find Location	3
Step 2 - Attach Dividers	3


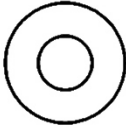

Before You Begin

- Read all instructions.
 - ENSURE SAFETY PRIOR TO DRILLING.
-

Parts

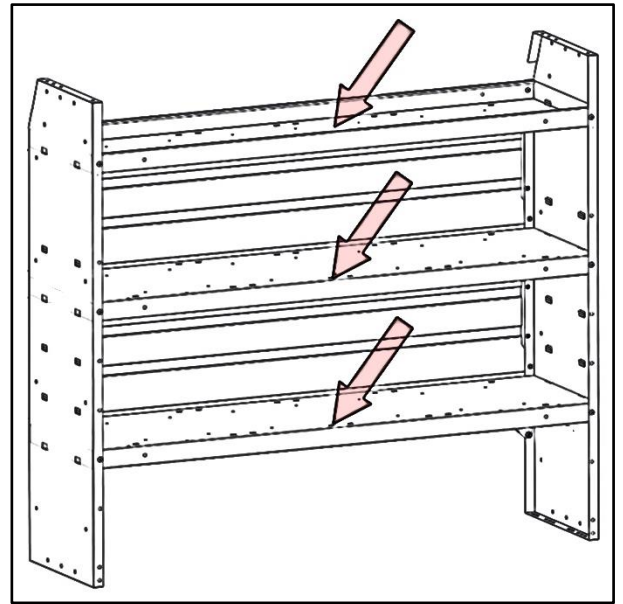
ITEM NO.		PART NUMBER	DESCRIPTION	QTY.
A		40030-00-001	Shelf Divider	6
		18-40030	Shelf Divider-Hardware	1

Hardware

ITEM NO.	TO SCALE	PART NUMBER	DESCRIPTION	QTY.
1		90272A539	1/4"-20 x 5/8" Phillips Pan Head	12
2		90126A029	1/4" Flat Washer	24
3		95615A120	1/4"-20 Nyloc	12

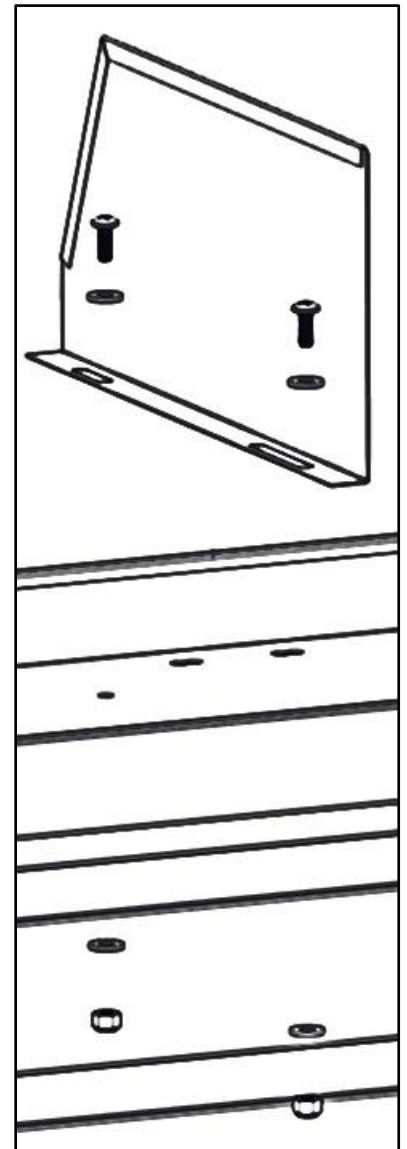
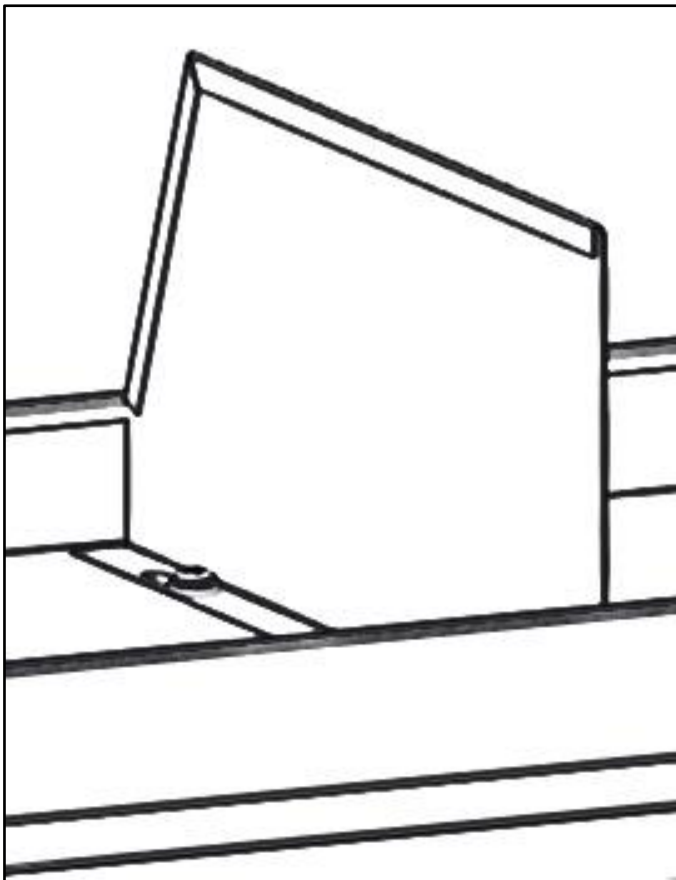
Step 1 – Find Location

- Find desired location for shelf divider to be installed.
- Holes can be found along the shelf of most KargoMaster shelf units. One can make use of these.
- Two holes may be drilled in any desired location.
- If desired, place shelf divider (A) in any desired location, mark hole locations and drill with 1/4" drill.

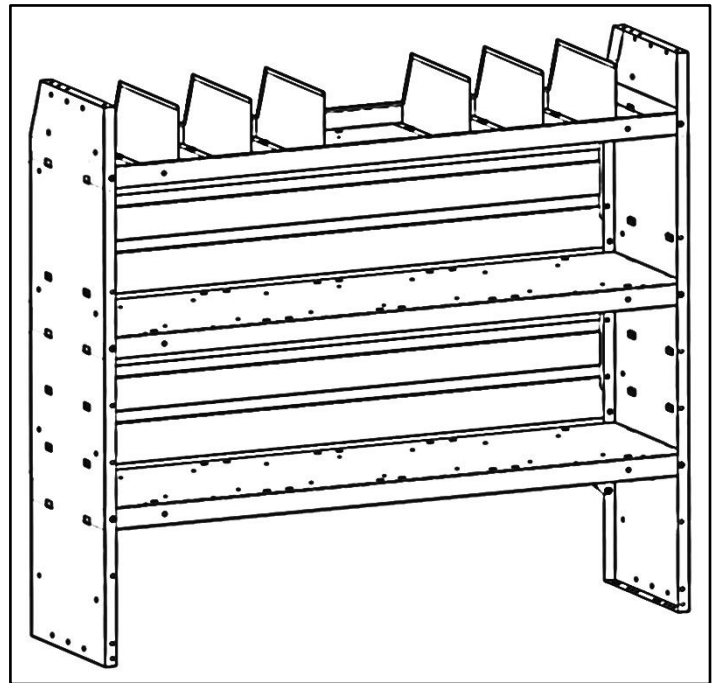
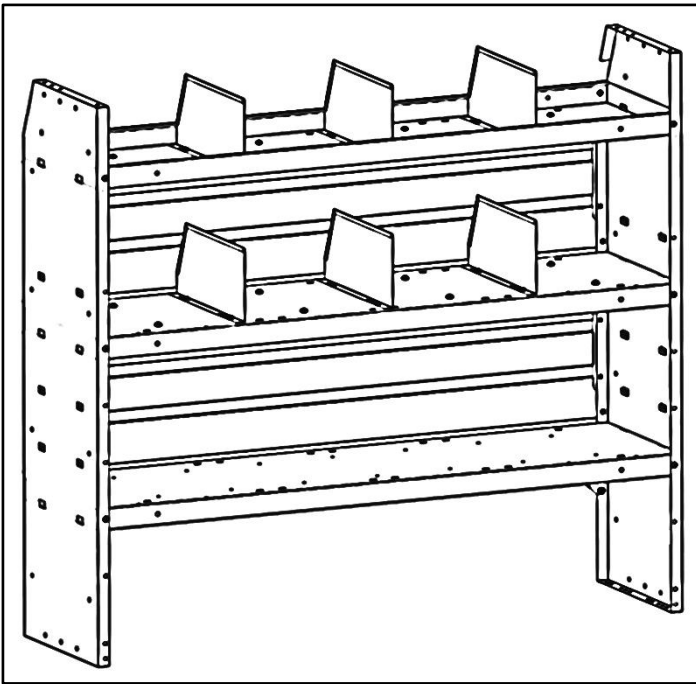


Step 2 – Attach Dividers

- Bolt divider to shelf using a 1/4" x 5/8" round head (1), two 5/16" flat washers (2) and a 1/4 nyloc (3). **Be sure to have the angle cut towards the rear of the shelf as shown.**



Shelf dividers may be positioned in any orientation as desired. Some examples are shown below.



Ensure all bolts are tight. Your Installation is now complete.