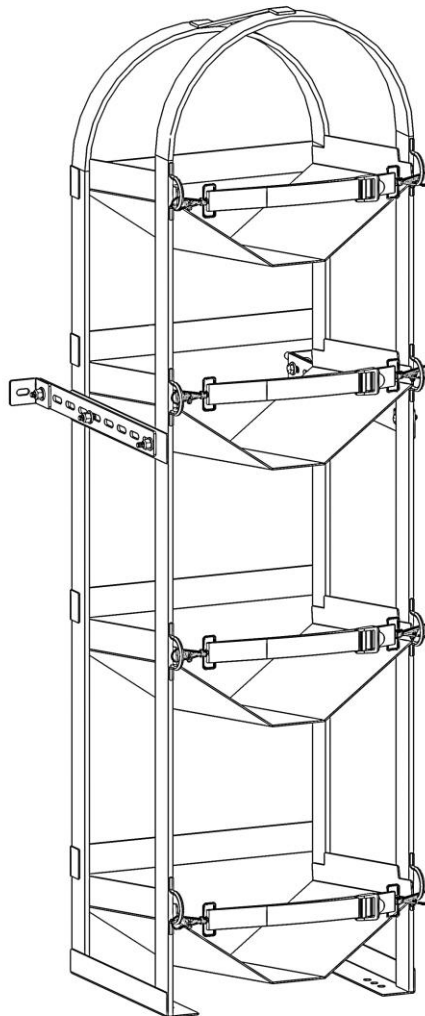


Holman

Instruction Guide 40101



Holman
Rancho Cordova, CA 95742
800-343-7486
InstallationSupport@Holman.com

*** PLEASE READ ALL INSTRUCTIONS AND WARNINGS PRIOR TO ASSEMBLING, INSTALLING, AND USING THIS PRODUCT. ***

Warning



Always check for wires, fuel tanks and lines, brake lines and other important vehicle functionality items prior to drilling and installing all products.



ALWAYS ENSURE TANK STRAPS ARE TIGHT AND TANKS ARE SECURE BEFORE TRANSPORTING.

Tools Needed

7/16" Socket and Wrench	9/16" Box Wrench
1/4", 25/64" Drill Bits	Drill
Drill Stop Collar	Plus Nut Installation Tool (P9902)*

* Not included. Sold separately.

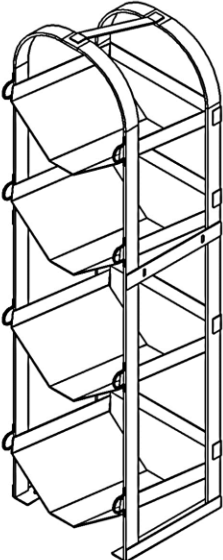
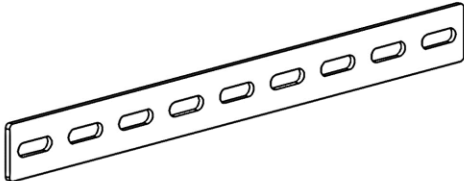
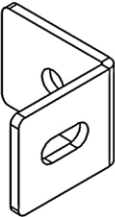
Table of Contents

Before You Begin	1
Parts	2
Hardware	3
Step 1 – Find Mount Location	4
Step 2 – Assemble Mounting Brackets	4
Step 3 – Attach Strap Bracket	5
Step 4 – Prepare vehicle	5
Step 5 – Install Plus Nuts.....	6
Step 6 – Install Tank Rack.....	6

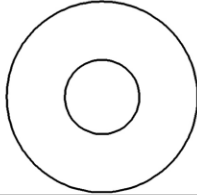
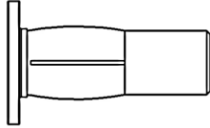
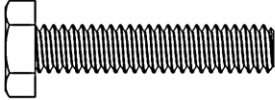
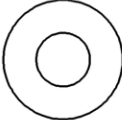

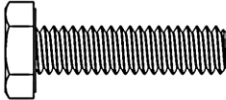
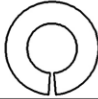
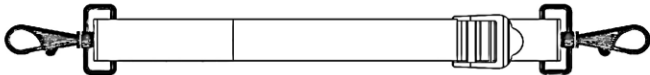
Before You Begin

- Read all instructions prior to assembling or installing any Holman product.
- **Always locate your installation locations prior to performing any work.**
- **ENSURE SAFETY WHILE INSTALLING OR DRILLING INTO VEHICLE.**
- **In some situations, not all mounting locations are necessary. Use your best judgment to ensure the tank rack is secured properly.**
- **Plus Nut Installation Tool Kit P9902 is not included and must be purchased separately.**

Parts

NO.	ITEM	PART NUMBER	DESCRIPTION	QTY.
1		100857	TANK HOLDER WELDMENT	1
2		40200-00-001	STRAP	2
3		40200-00-002	ANGLE	2
4		18-40101	HARDWARE KIT	1

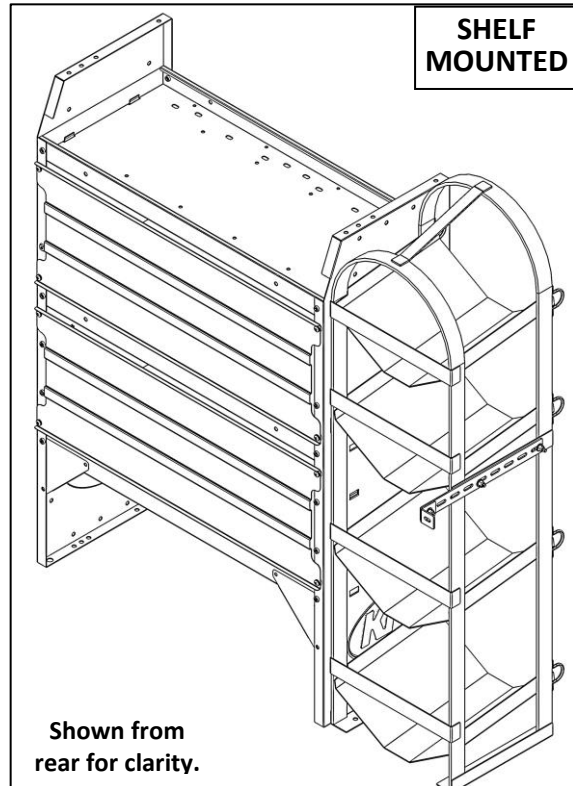
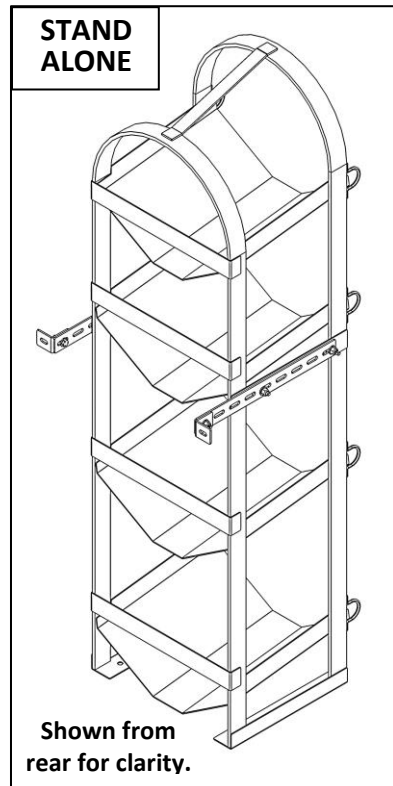
Hardware

ITEM	HARDWARE TO SCALE	PART NUMBER	DESCRIPTION	QTY.
1		11517442	3/8" ID 1" OD NYLON Spacer	4
2		920313726	1/4"-20 Plus Nut	6
3		13800	1/4"-20 x 1-1/4" HEX HEAD BOLT	4
4		33078	1/4" FLAT WASHER	18
5		37018	1/4"-20 NYLON INSERT LOCK NUT	6
6		13005	1/4"-20 X 1" HEX HEAD BOLT	8
7		33618	1/4" LOCK WASHER	6
8		100680	1IN NYLON STRAP W/ SWIVEL HOOKS	4

ALWAYS ENSURE TANKS ARE SECURE PRIOR TO TRANSPORTATION.

Step 1 – Find Mount Location

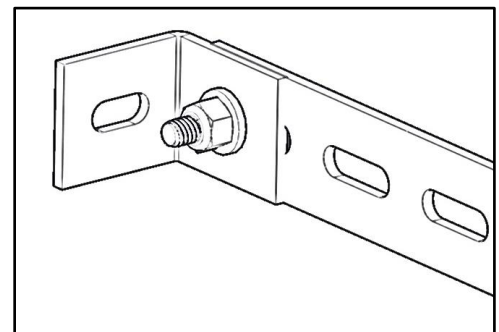
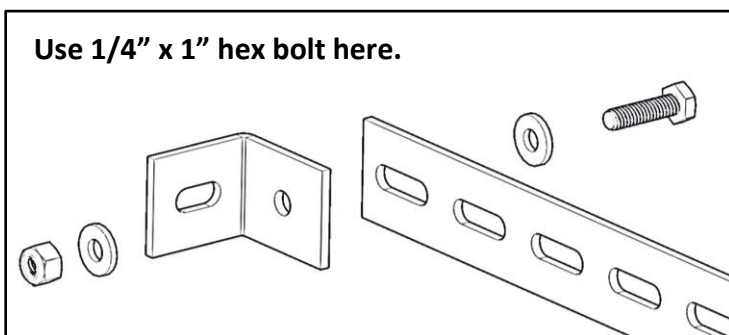
- Determine location of where the 4-tier tank rack will be placed.
- Tank rack may be installed stand-alone to the vehicle wall and floor, or installed to a shelf side in addition to vehicle wall and floor. No matter which installation method is used, it is recommended the tank rack be installed to the floor and securely fastened on both sides.



Step 2 – Assemble Mounting Brackets

If mounting to shelf side, only one side requires installation of brackets.

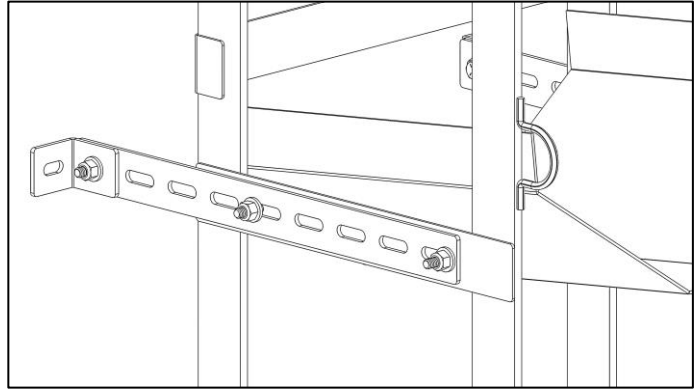
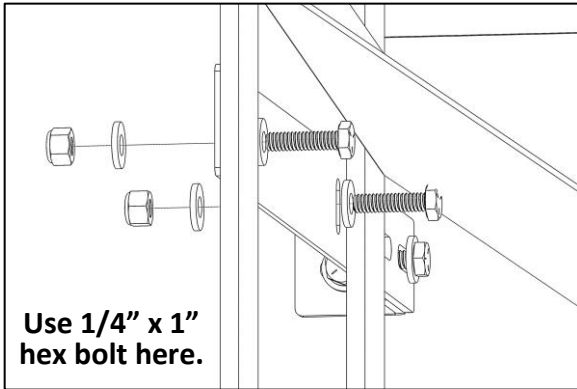
- Configure mount brackets so the tank rack can be fastened to the van.
- Mount angle bracket to strap bracket using a 1/4" x 1" hex head bolt, two 1/4" flat washers and a 1/4" lock nut.
- Snug tighten, but allow movement between brackets.



Step 3 – Attach Strap Bracket

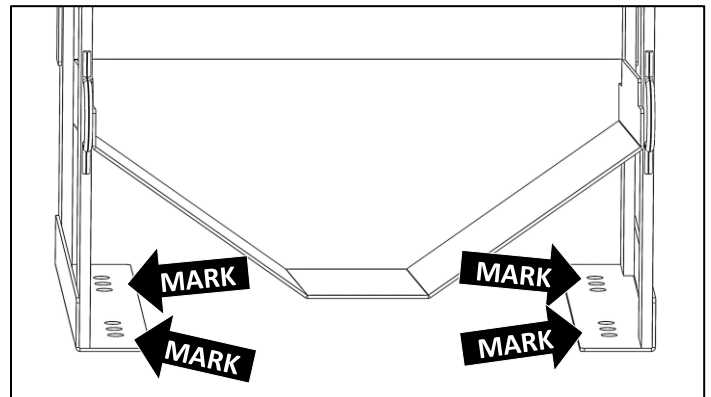
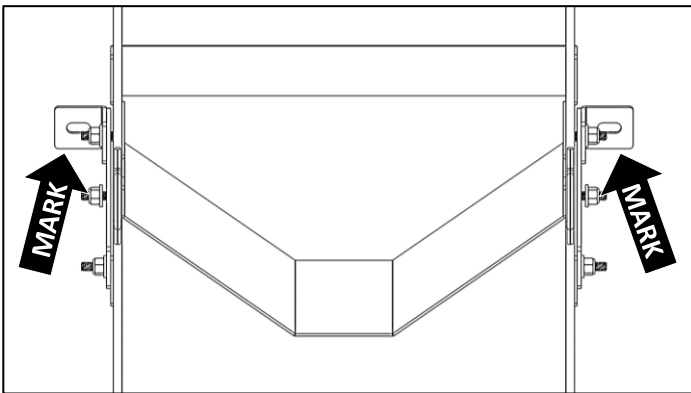
In some circumstances, the mounting strap will only attach to the tank rack in one location.

- Using a 1/4" x 1" hex head bolt, two 1/4" flat washers, and a 1/4" lock nut, bolt the mounting strap to the side of the rack. Repeat for second bolt, washers, and nut if second connection is possible.
- Snug tighten but allow for movement.
- Repeat for opposite side if necessary.

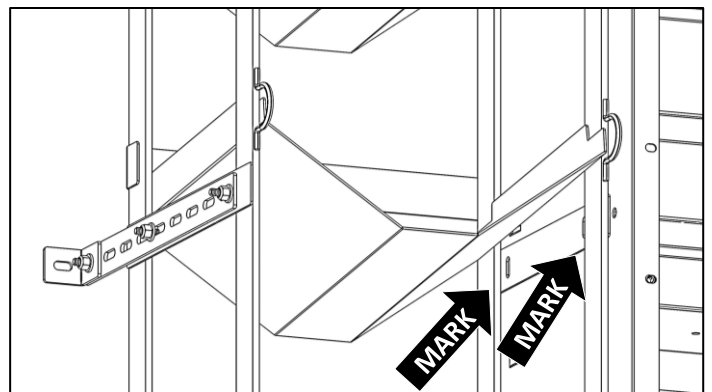


Step 4 – Prepare vehicle

- Mark location where angle bracket comes into contact with the support on the van wall.
- Mark location of holes in bottom of tank rack onto floor.



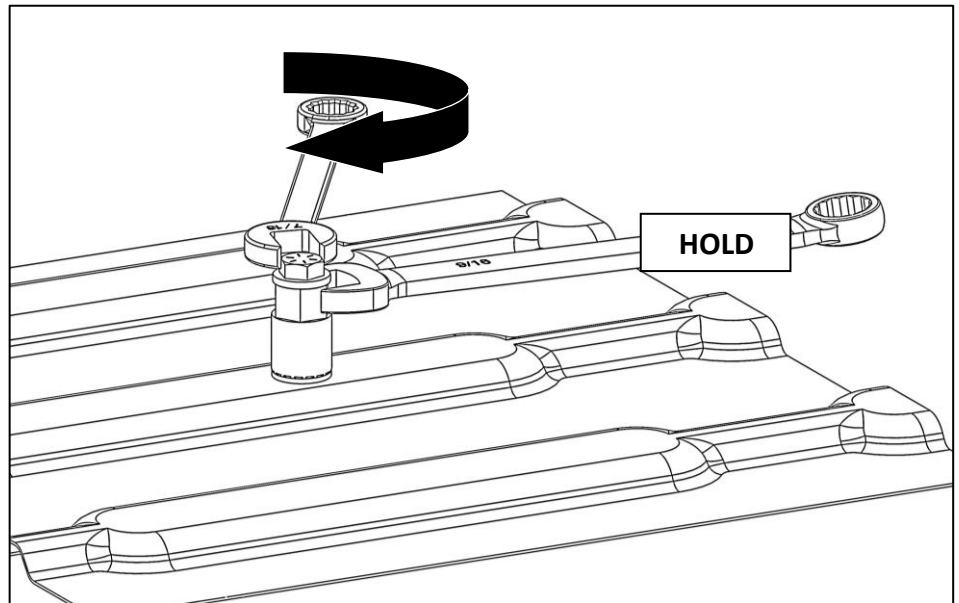
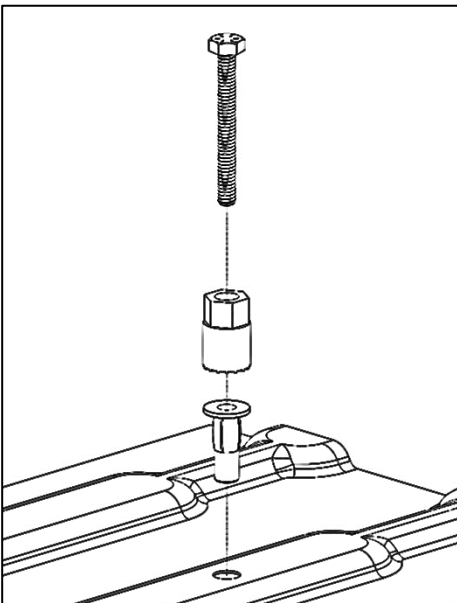
- If installing onto shelf, mark locations of slots onto shelf side.



Step 5 – Install Plus Nuts

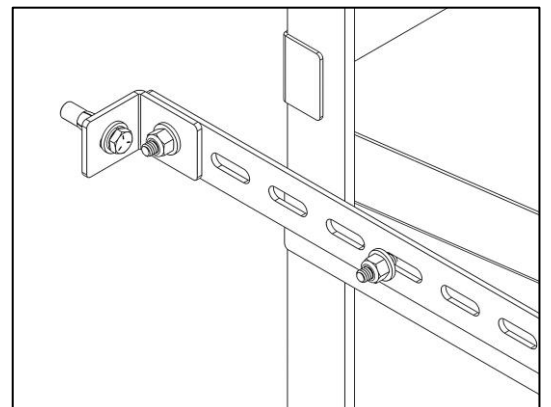
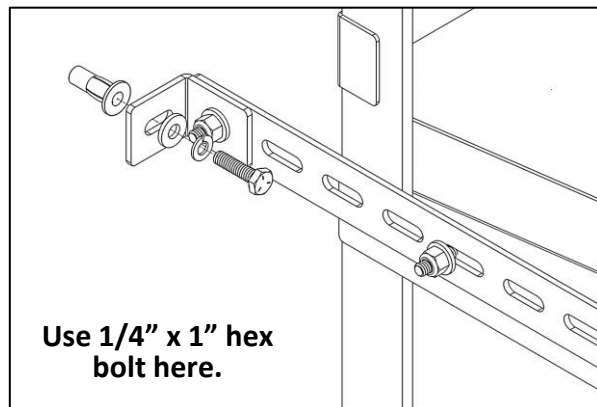
Plus nuts are installed into wall and floor only. Plus nuts are not to be used for mounting to shelf side.

- Drill hole using 25/64" drill bit and appropriate size drill stop. If 25/64" drill bit is not available, a 3/8" drill bit can be used, although it may be necessary to tap in the plus nuts.
- Screw 1/4" x 2-1/4" hex head bolt through plus nut installation tool, and then into plus nut. Knurled end of plus nut tool must be directed away from bolt head and contacting plus nut.
- Insert plus nut into hole.
- Using the 9/16" box wrench, hold the plus nut tool stationary and then tighten hex head bolt until plus nut is tightly gripping and does not spin when hex bolt is loosened.
- DO NOT overtighten plus nut.
- Using the 9/16" box wrench, hold the plus nut tool stationary to remove the 1/4" hex head bolt.

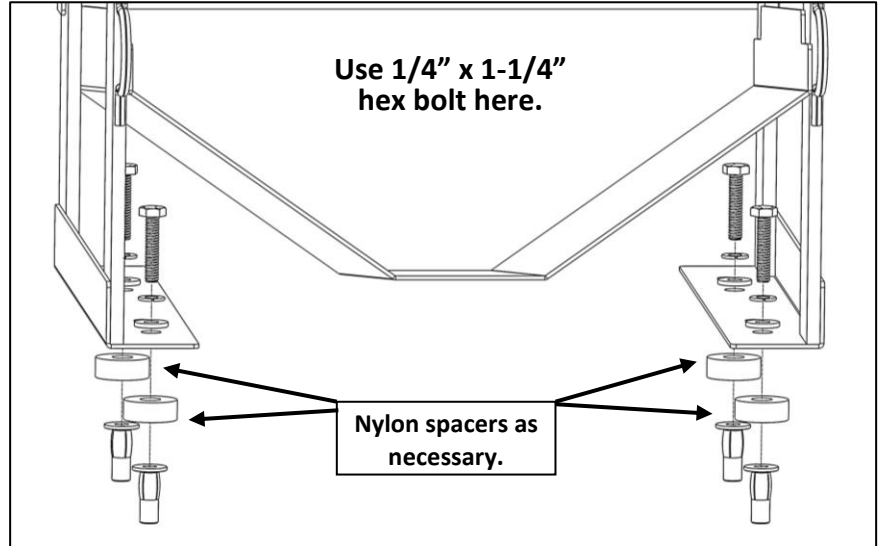


Step 6 – Install Tank Rack

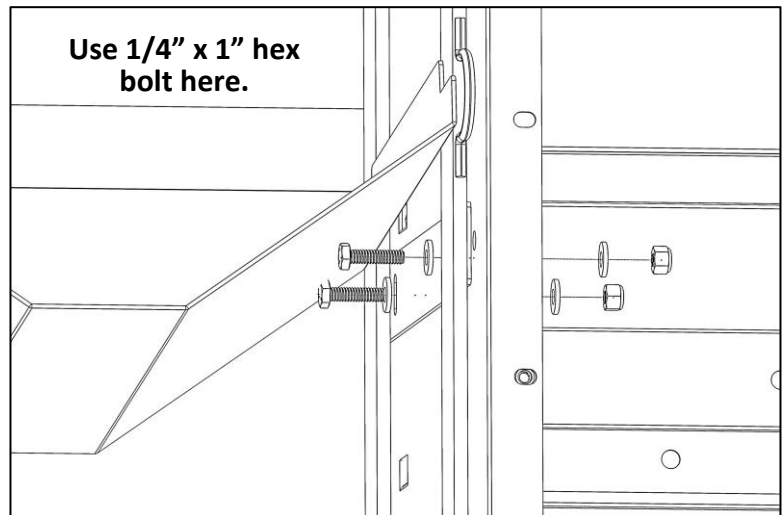
- Bolt angle mount bracket (C) to previously installed plus nut using a 1/4" x 1" hex bolt, a 1/4" lock washer and a 1/4" flat washer.
- Snug tighten but allow for movement.
- If applicable, repeat for other side of rack.



- If a gap exists between the bottom of tank rack and the floor, insert a nylon spacer between rack and floor, centered on installed plus nut.
- Using 1/4" x 1-1/4" hex head bolts, 1/4" lock washers, and 1/4" flat washers, bolt through rack, and nylon spacer if necessary, into plus nut.
- Snug tighten but allow for movement.



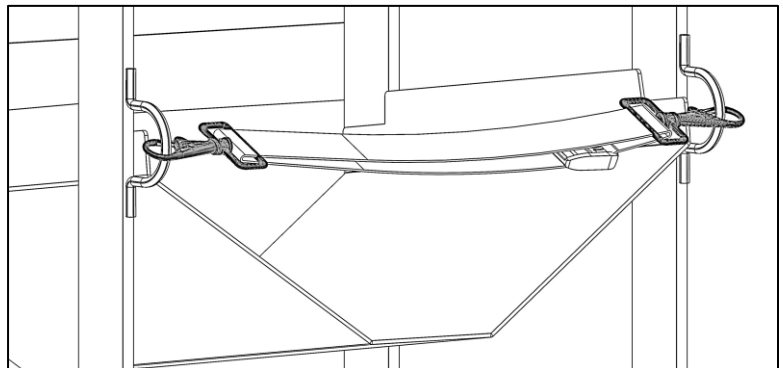
- If mounting next to a shelf, place assembly firmly against shelf side.
- Bolt the tank rack to the shelf side using a 1/4" x 1" hex bolt, two 1/4" flat washers and a 1/4" lock nut.



- For each tank tier, attach straps to loops on front of rack.



Be sure straps are tight and tanks are secure before transporting.



GO BACK AND TIGHTEN ALL HARDWARE.

INSTALLATION AND ASSEMBLY ARE COMPLETE.