

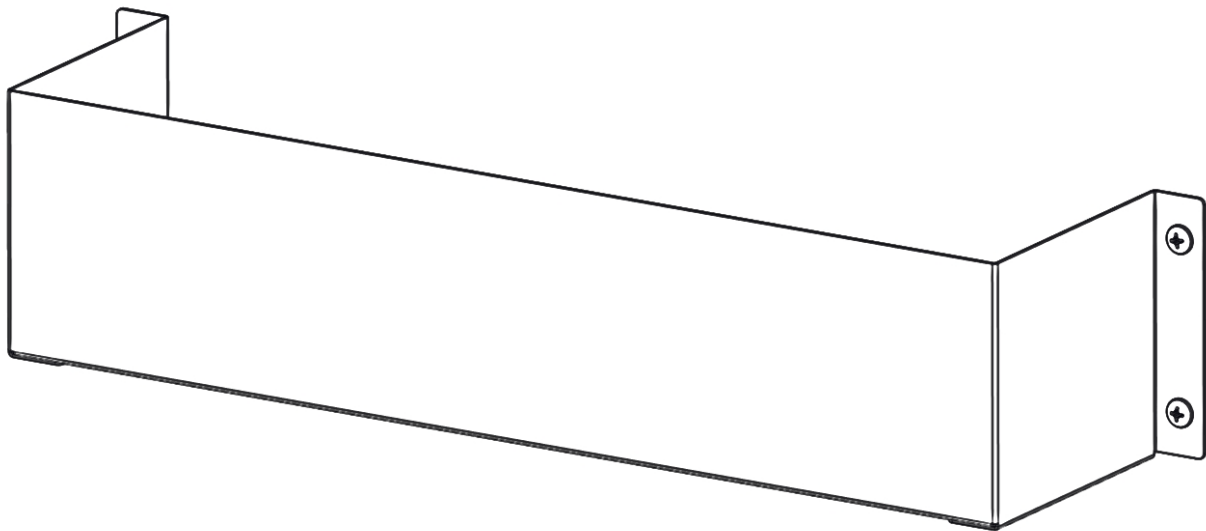
# Holman

---

## Installation Guide

### 40160

---



---

Holman  
Rancho Cordova, CA 95742  
800-343-7486  
InstallationSupport@Holman.com

---

**\*PLEASE READ ALL INSTRUCTIONS AND WARNINGS PRIOR TO ASSEMBLING, INSTALLING, AND USING THIS PRODUCT. \***

## Warning



Always check for wires, fuel tanks and lines, brake lines and other important vehicle functionality items prior to drilling and installing all products.

## Tools Needed

Phillips Driver	3/8" Wrench and Socket
1/4" Drill Bit	

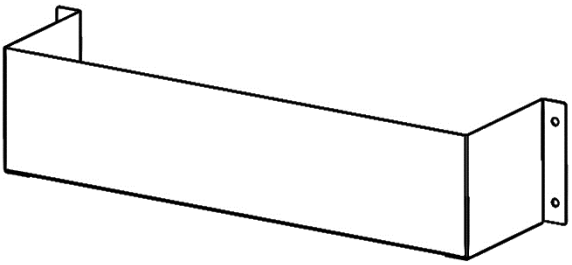
## Table of Contents

Parts .....	1
Hardware .....	2
Step 1 – Find Location, Drill Holes .....	2
Step 2 – Install Reflector Holder .....	2

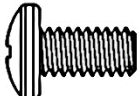



## Before You Begin

- Read all instructions.
- Have partition installed and ready for reflector holder.
- ENSURE SAFETY BEFORE DRILLING OR CUTTING.

## Parts

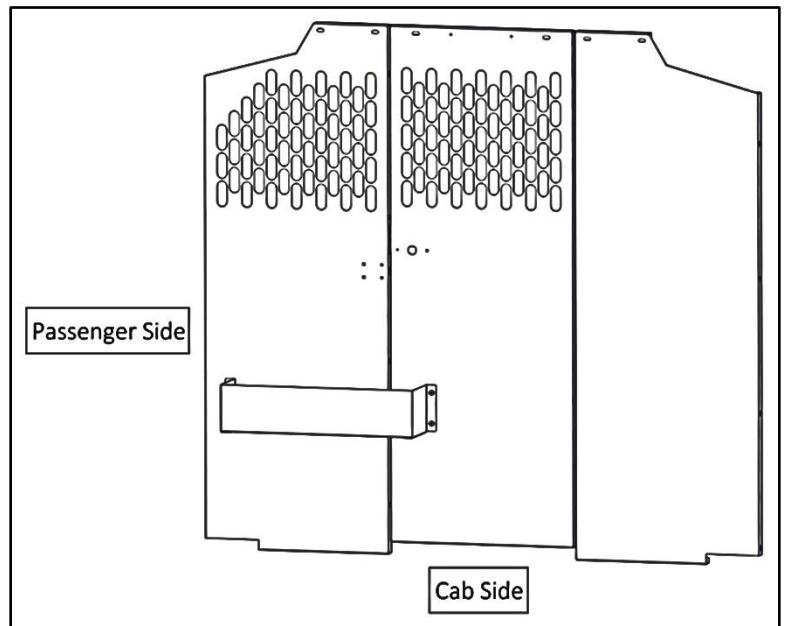
ITEM NO.		PART NUMBER	DESCRIPTION	QTY.
A		40160-00-001	Reflector Holder-Horizontal	1
		18-40160	Reflector Holder-Hardware	1

## Hardware

ITEM NO.	TO SCALE	PART NUMBER	DESCRIPTION	QTY.
1	 	90272A537	1/4"-20 x 1/2" Phillips Pan Head Screw	4
2	 	93298A110	1/4"-20 Flanged Nyloc	4

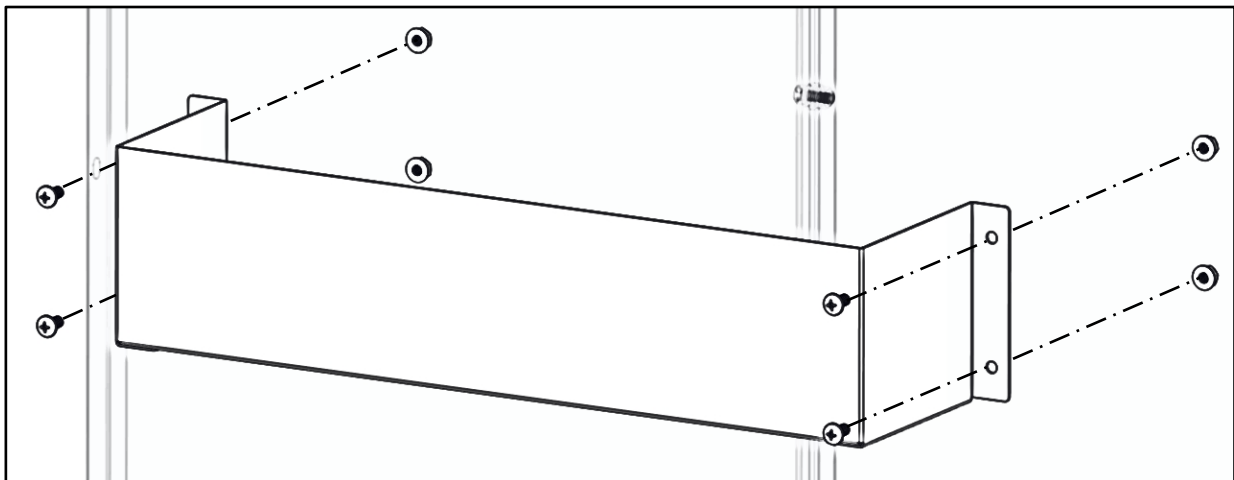
### Step 1 – Find Location, Drill Holes

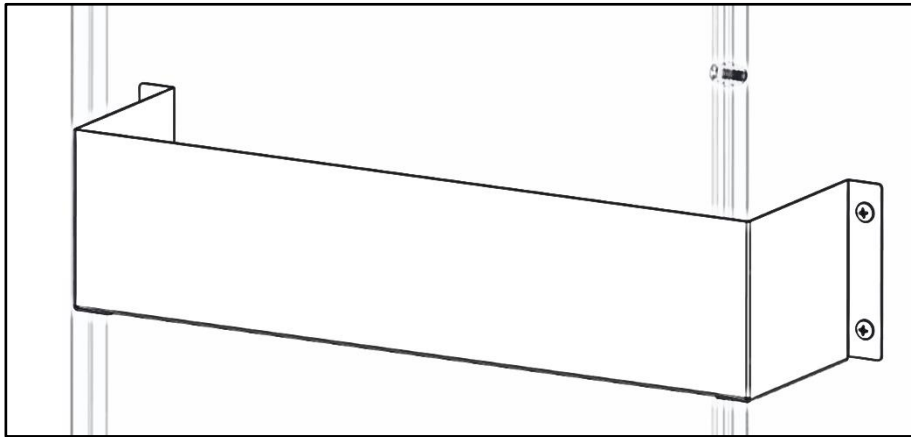
- Position reflector holder (A) in desired location for mounting.
- Press firmly against partition unit. The holder must go on inside of the cab area.
- A sample location is shown. Find most convenient location for your needs.
- Mark hole in each corner for a total of 4 times.
- Remove reflector holder (A).
- Measure from a reference point to ensure the holes are marked in a square orientation.
- Drill using a 1/4" bit.



### Step 2 – Install Reflector Holder

- Place reflector holder over previously drilled holes.
- Bolt using a 1/4" x 1/2" pan head (1) and a 1/4" flanged nyloc (2)
- TIGHTEN.





Square and align to your liking.

Tighten all bolts from previous steps.  
Your installation is now complete.

