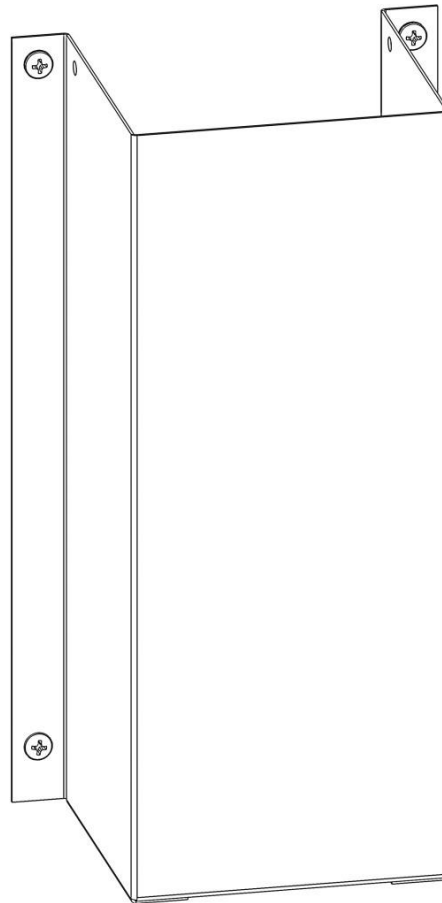


Holman

Installation Guide

40162



Holman
Rancho Cordova, CA 95742
800-343-7486

InstallationSupport@Holman.com

PLEASE READ ALL INSTRUCTIONS AND WARNINGS PRIOR TO ASSEMBLING, INSTALLING, AND USING THIS PRODUCT.

Warning



Always check for wires, fuel tanks and lines, brake lines and other important vehicle functionality items prior to drilling and installing all products.



If installing reflector kit holder to a partition, be sure screw head is on cab side.

Tools Needed

| | |
|---------------------------|------------------------|
| Phillips Head Screwdriver | 3/8" Wrench and Socket |
| 9/32" Drill Bit | Drill |

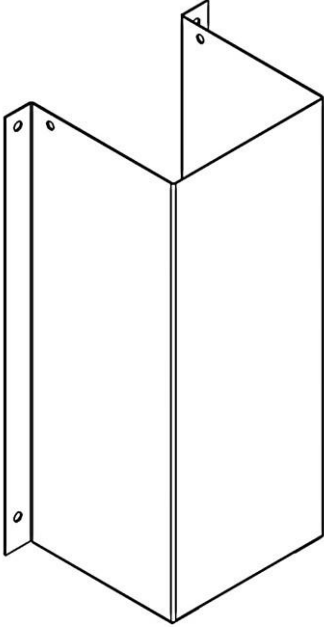
Table of Contents

| | |
|--|---|
| Before You Begin | 1 |
| Parts List | 2 |
| Hardware | 2 |
| Step 1 – Determine Mount Location | 3 |
| Step 2 – Attach Reflector Kit Holder | 3 |

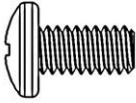

Before You Begin

- Read all instructions prior to assembling or installing any Holman product.
- **Always locate your installation locations prior to performing any work.**
- **ENSURE SAFETY WHILE INSTALLING OR DRILLING INTO VEHICLE.**

Parts List

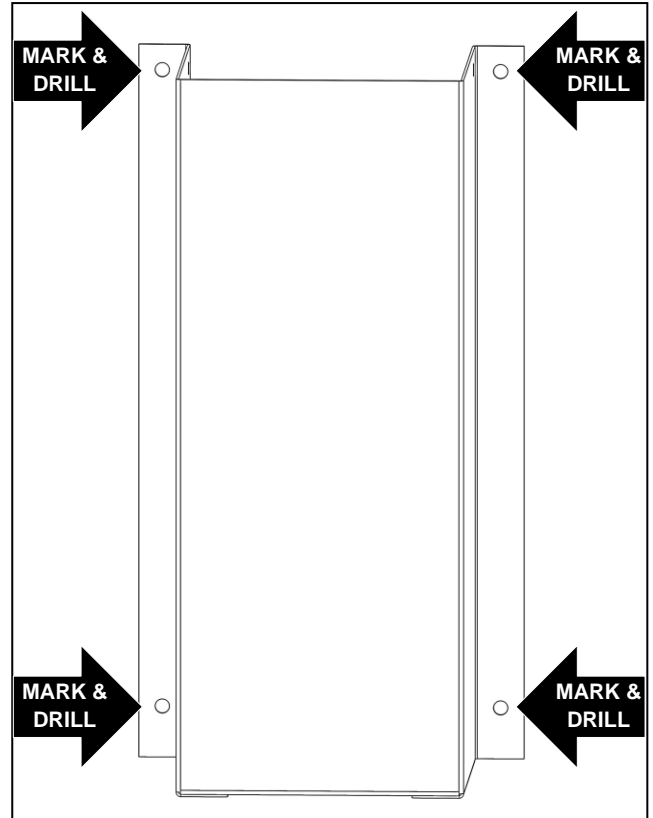
| ITEM NO. | ITEM | PART NUMBER | DESCRIPTION | QTY. |
|----------|---|--------------|-----------------------------|------|
| 1 |  | 40162-01-001 | REFLECTOR HOLDER - VERTICAL | 1 |
| 2 | | 18-40160 | REFLECTOR HOLDER-HARDWARE | 1 |

Hardware

| ITEM | HARDWARE TO SCALE | PART NUMBER | DESCRIPTION | QTY. |
|------|---|-------------|--|------|
| 1 |  | 72586 | 1/4"-20 X 1/2" PHILLIPS PAN HEAD SCREW | 4 |
| 2 |  | 0167030 | 1/4"-20 FLANGED LOCK NUT | 4 |

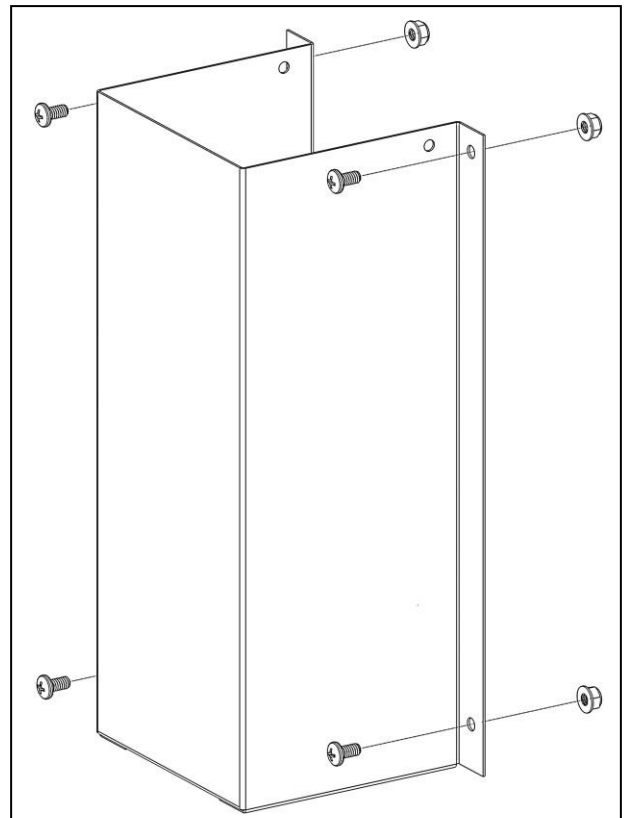
Step 1 – Determine Mount Location

- Place reflector kit holder in desired mounting location.
- Mark onto the installation surface the location of each of the four holes in the reflector kit holder.
- Set aside the reflector kit holder.
- Using a 9/32" drill bit, drill a hole at each of the locations marked.



Step 2 – Attach Reflector Kit Holder

- Using a 1/4" x 1/2" pan head screw and 1/4" flanged lock nut, attach reflector kit holder to installation surface.
- Tighten hardware.
- **NOTE: If installing reflector kit holder to a partition, be sure screw head is on cab side.**



**GO BACK AND TIGHTEN ALL
HARDWARE.
INSTALLATION IS COMPLETE.**