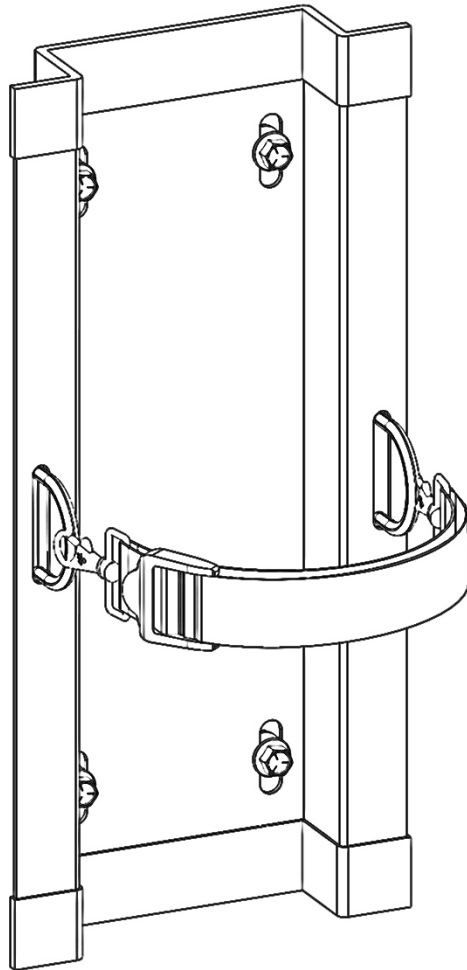


Holman

Installation Guide 40202



Holman
Rancho Cordova, CA 95742
800-343-7486
InstallationSupport@Holman.com

PLEASE READ ALL INSTRUCTIONS AND WARNINGS PRIOR TO ASSEMBLING, INSTALLING, AND USING THIS PRODUCT.

Warning



Always check for wires, fuel tanks and lines, brake lines and other important vehicle functionality items prior to drilling and installing all products.

Tools Needed

3/8" Socket and Wrench	7/16" Socket and Wrench
17/64" or H Drill Bit	Drill

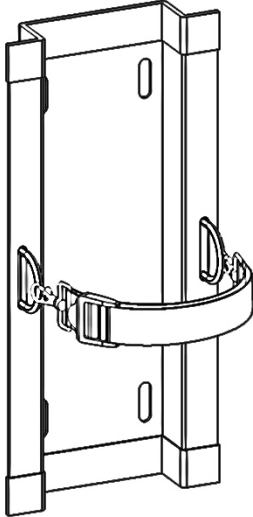
Table of Contents

Parts List.....	2
Hardware	2
Step 1 – Assemble Adjustable Tank Strap	2
Strap Adjustment	3

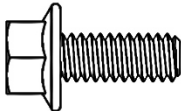

Before You Begin

- Read all instructions prior to assembling or installing any Holman product.
- Be sure to put sealant around all threads entering cargo area to prevent water leaking into cargo area.
- Verify clearance around installation area for tank before installation.

Parts List

ITEM NO.	ITEM	PART NUMBER	DESCRIPTION	QTY
1		100589	ADJUSTABLE TANK STRAP	1
2		18-40202	HARDWARE KIT	1

Hardware

ITEM	HARDWARE TO SCALE	PART NUMBER	DESCRIPTION	QTY.
1		11126953	1/4"-20 X 5/8" FLANGED HEX HEAD	4
2		0167030	1/4"-20 FLANGED LOCK NUT	4

Step 1 – Assemble Adjustable Tank Strap

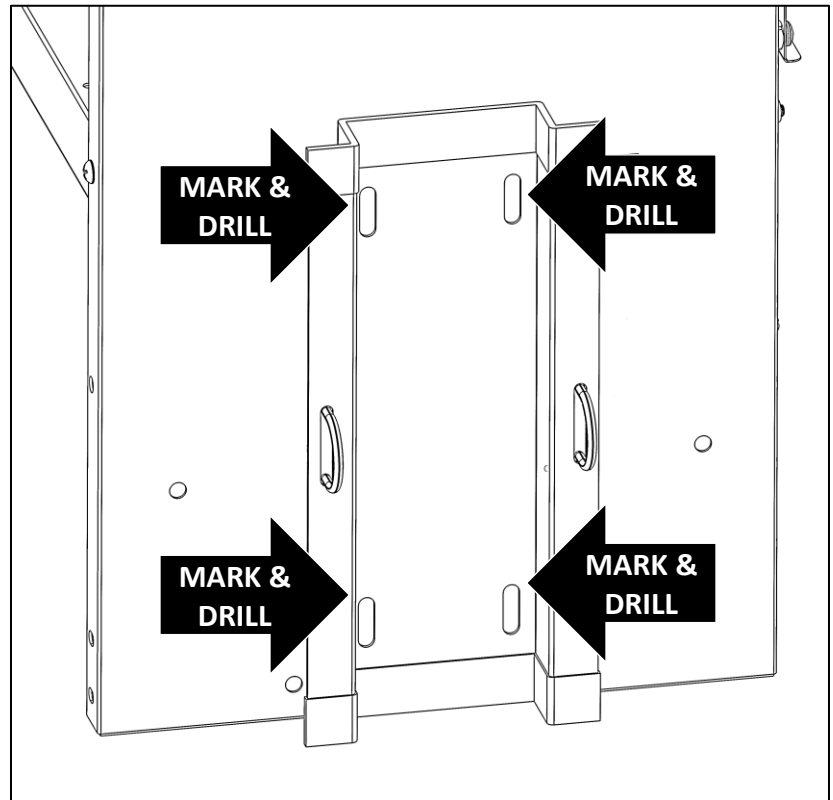
- Determine proper installation location.
- Verify clearance around installation area for tank before installation.



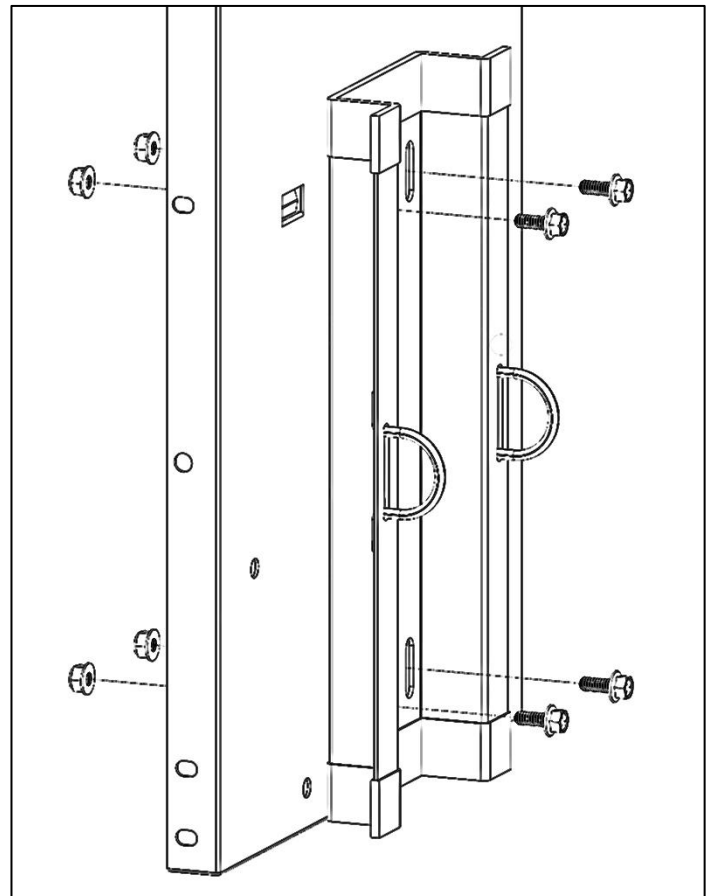
Installing the adjustable tank strap requires holes be drilled through installation surface, so make sure the following clearances and warnings are met.

- Be sure there is proper clearance behind installation surface for bolts and nuts to be installed.
- Be sure there is there is no electrical wiring or fuel lines behind locations marked.

- Remove strap.
- Set tank strap bracket in place.
- Mark the location of the four slots onto the installation surface.
- Set aside tank strap bracket.
- Using a 17/64" (or H) drill bit, drill a hole through the installation surface at each location marked.



- Using four 1/4" x 5/8" flanged hex head screws and four 1/4" flanged lock nuts, install tank strap bracket onto installation surface.
- TIGHTEN all hardware.
- Attach strap.



Strap Adjustment

- To tighten strap, pull on strap.
- To loosen strap, pull outward on strap adjuster flange.

GO BACK AND ENSURE ALL HARDWARE IS TIGHTENED.

ASSEMBLY IS COMPLETE.