

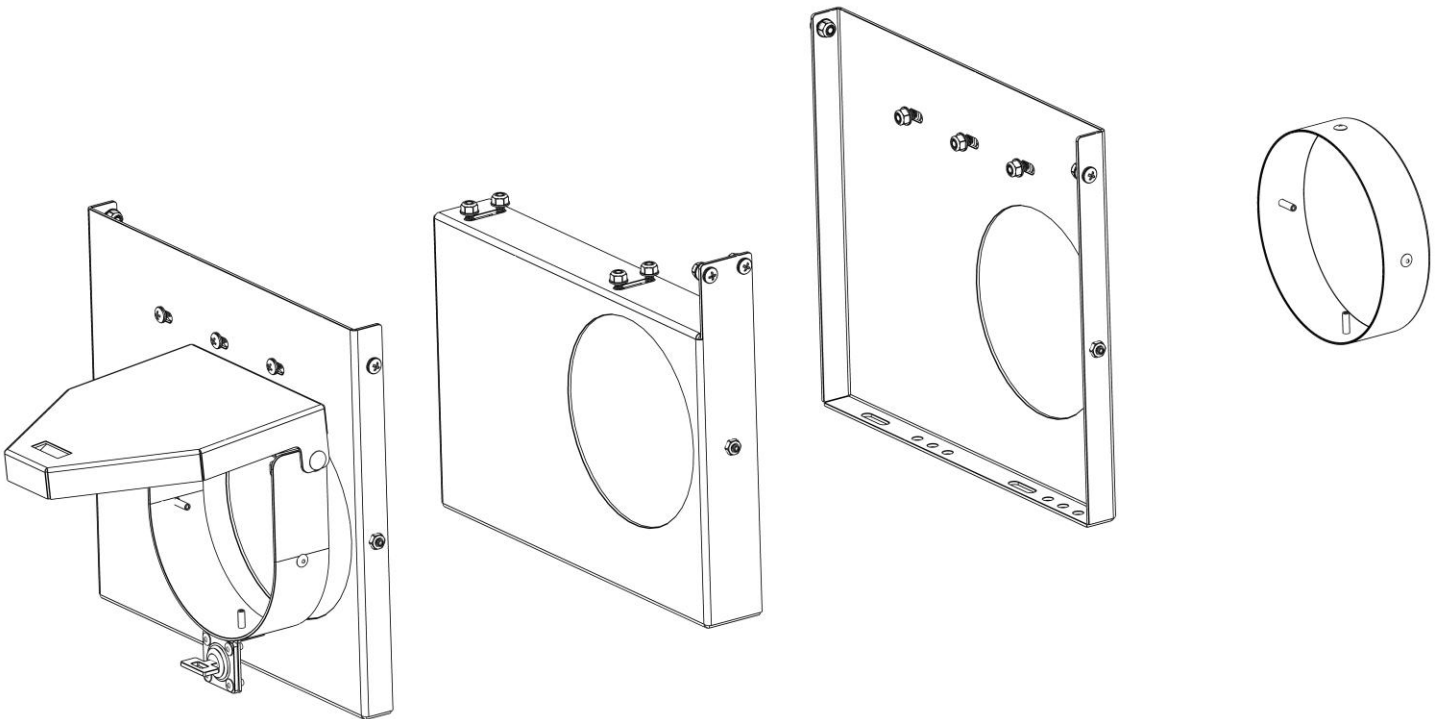
# Holman

---

## Instruction Guide

### 40236

---



---

Holman  
Rancho Cordova, CA 95742  
800-343-7486  
[InstallationSupport@Holman.com](mailto:InstallationSupport@Holman.com)

**PLEASE READ ALL INSTRUCTIONS AND WARNINGS PRIOR TO ASSEMBLING, INSTALLING, AND USING THIS PRODUCT.**

**Warning**



Always check for wires, fuel tanks and lines, brake lines and other important vehicle functionality items prior to drilling and installing all products.

**Tools Needed**

3/8" & 7/16" Box Wrench	5/32" Allen Hex Wrench
#2 Phillips Screwdriver	3/16" Drill Bit
Drill	Rivet Gun

**Table of Contents**

Before You Begin ..... 1

Parts List..... 2

Hardware ..... 3

Step 1 – Ensure Appropriate PVC Length ..... 3

Step 2 – Install Front Conduit Carrier Mount ..... 3

Step 3 – Install Center Conduit Carrier Mount ..... 4

Step 4 – Install Rear Conduit Carrier Mount ..... 4

Step 5 – Install Shelves ..... 5

Step 7 – Install Door Cap..... 6

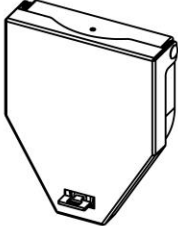
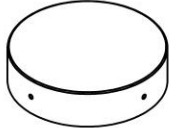
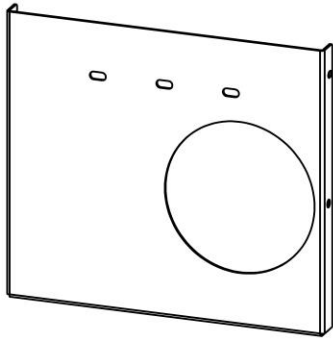
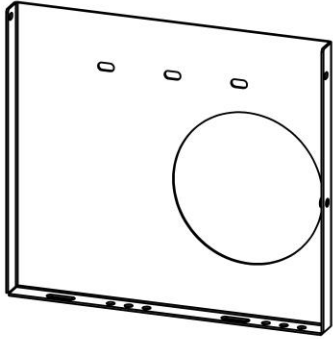
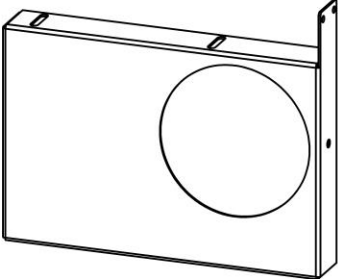
Step 8 – Install End Cap ..... 7

Step 9 – Tighten PVC Pipe..... 7

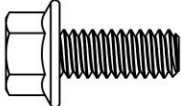
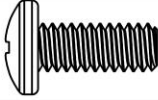



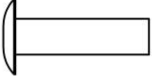
**Before You Begin**

- Read all instructions prior to installing any Holman product.
- **Always locate your installation locations prior to performing any work.**
- **ENSURE SAFETY WHILE INSTALLING OR DRILLING INTO VEHICLE.**
- Have PVC tubing ready for installation. It is best to smooth edges on PVC before assembly.
- If installing in applications with more than two shelves, additional SKU 40235 will need to be purchased for each additional shelf.
- Follow shelf assembly instructions to assemble shelves prior to installing undershelf conduit carrier.
- Undershelf conduit carrier will raise shelf height 9-5/8". This may require using a shorter shelf for clearance.

## Parts List

NO.	ITEM	PART NUMBER	DESCRIPTION	QTY.
1		102030	CAP ASSEMBLY	1
2		102034	ROUND CAP	1
3		101813	REAR CONDUIT CARRIER MOUNT	1
4		MIRROR 101813	FRONT CONDUIT CARRIER MOUNT	1
5		101815	CENTER CONDUIT CARRIER MOUNT	1
6		18-40236	HARDWARE KIT	1

## Hardware

ITEM	HARDWARE TO SCALE	PART NUMBER	DESCRIPTION	QTY.
1		11126953	1/4"-20 X 5/8" FLANGED HEX HEAD	4
2		29168	1/4"-20 X 5/8" PHILLIPS PAN HEAD SCREW	12
3		91375A869	1/4"-20 X 3/4" SET SCREW	3
4		0167030	1/4"-20 FLANGED LOCK NUT	16
5		94846A201	1/4"-20 Jam Nut	3
6		97525A520	3/16" X 0.7" BLIND RIVET	8

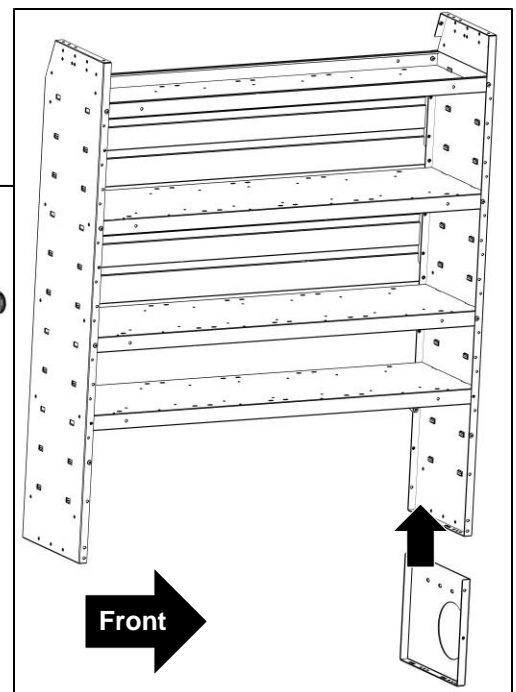
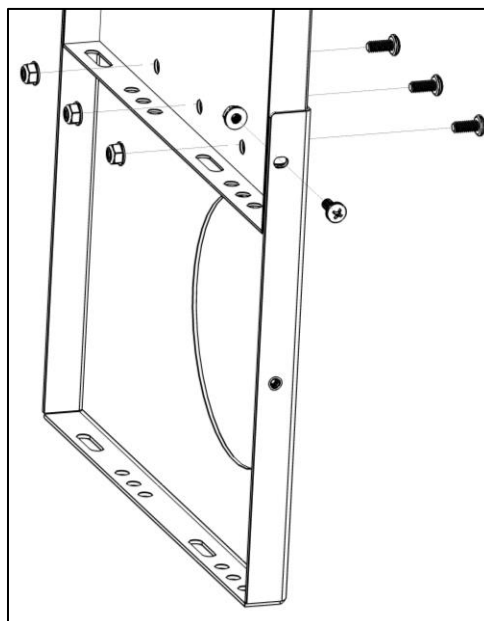
### Step 1 – Ensure Appropriate PVC Length

- Measure the length of materials to be stored in conduit carrier. **Be sure length of PVC plus 1 inch for the end cap and door cap will fit in the desired location.** Purchase or cut PVC with enough room at each end to properly store materials and assemble conduit carrier. PVC will need to be at least 3-7/8" longer than the length of assembled shelves to allow fitment of end caps.

### Step 2 – Install Front Conduit Carrier Mount

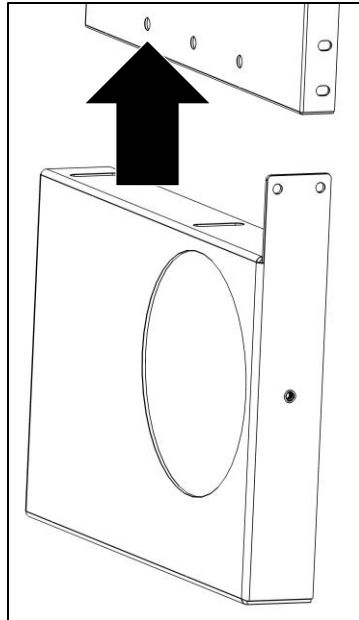
**Note: For most applications conduit carrier needs to be installed with PVC towards the front of the shelf to allow clearance for the wheel well.**

- Using five 1/4" Phillips pan head screws and five 1/4" flanged lock nuts, bolt front conduit carrier mount to furthest forward shelf end panel.

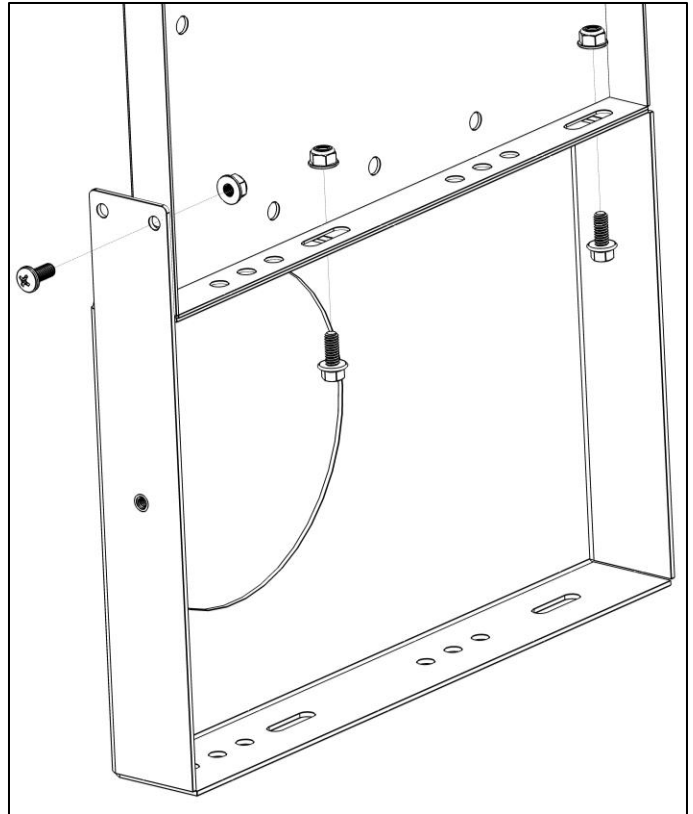


## **Step 3 – Install Center Conduit Carrier Mount**

- Using one 1/4" Phillips pan head screw, two 1/4" flanged hex head screws and three 1/4" flanged lock nuts, bolt center conduit carrier mount to the shelf end panel opposite the previously installed conduit carrier mount.

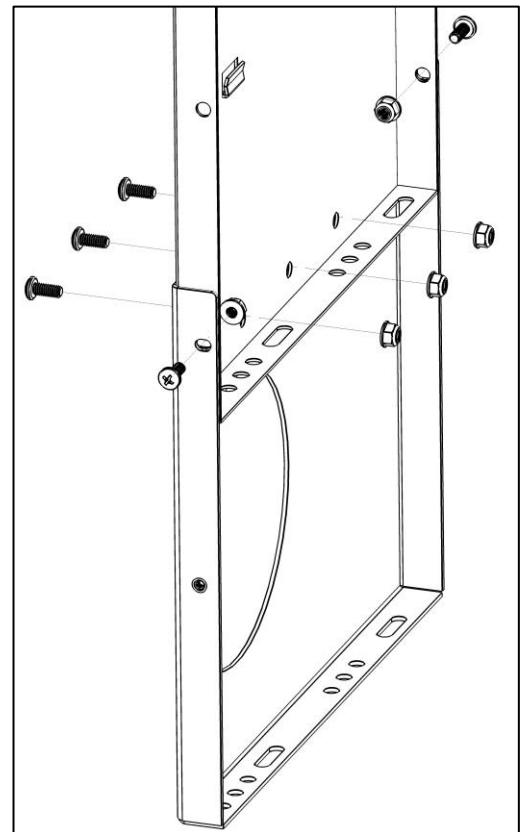
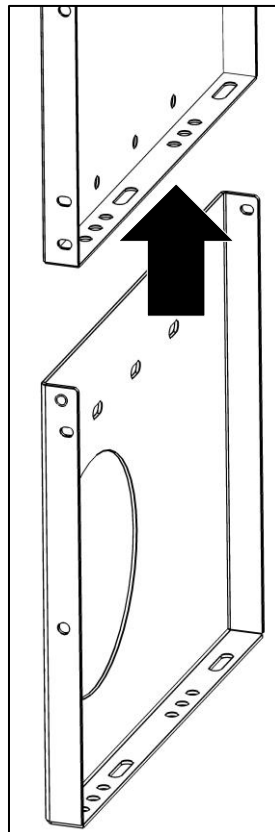


- Snug tighten but allow movement.
- Repeat above steps as needed for additional shelves using 40235.



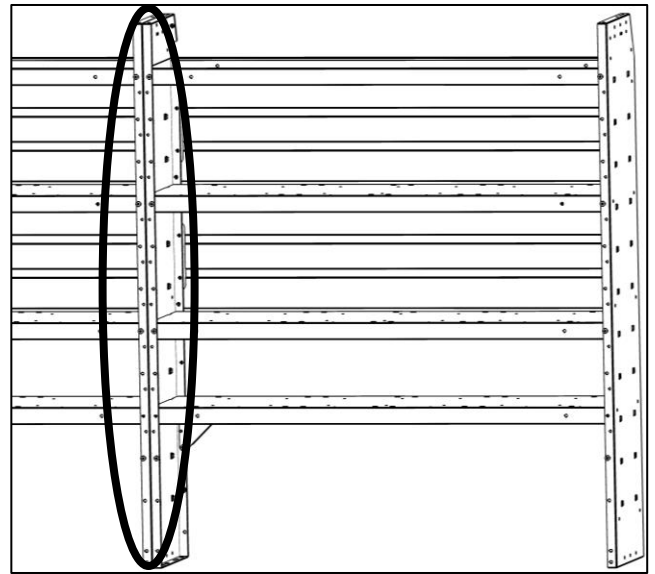
## **Step 4 – Install Rear Conduit Carrier Mount**

- Using five 1/4" Phillips pan head screws and five 1/4" flanged lock nuts, bolt rear conduit carrier mount to furthest rearward shelf end panel.

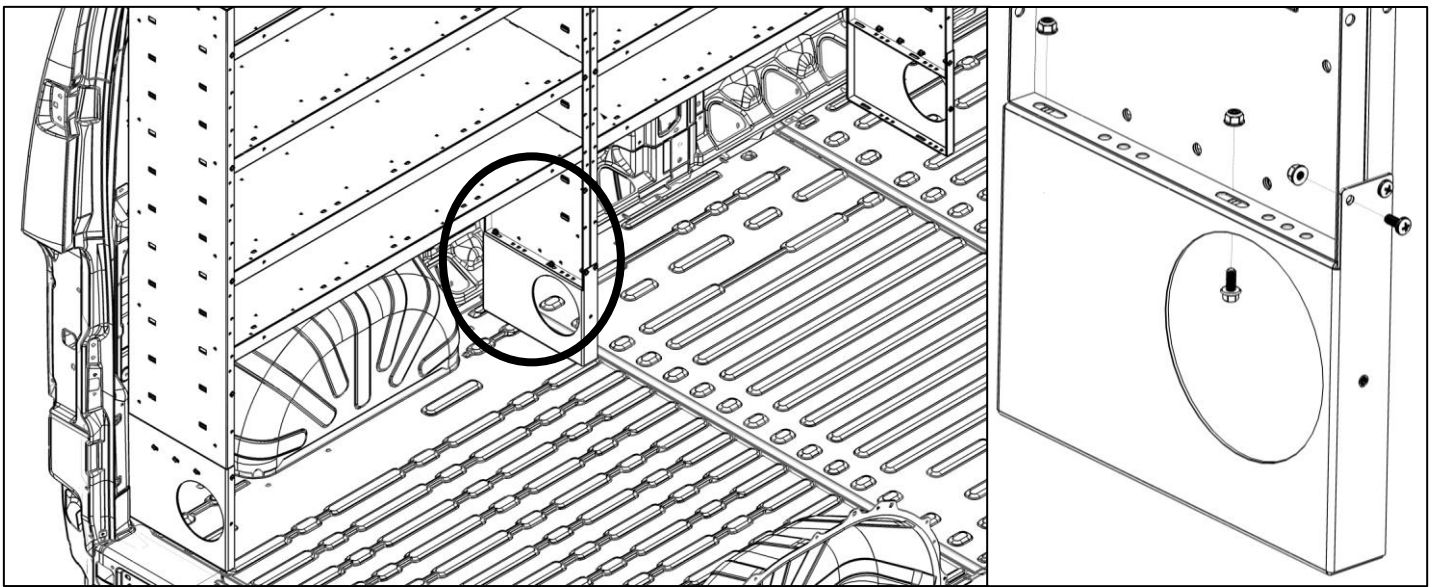


## Step 5 – Install Shelves

- Following shelf mounting instructions included with shelves install shelves into van starting with furthest forward shelf. **Be sure to bolt shelf end panels together where two shelves meet.**

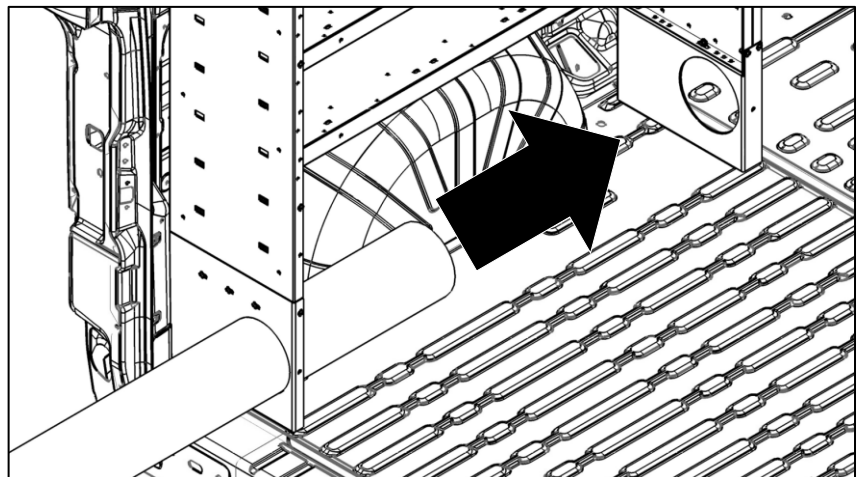


- Using one 1/4" Phillips pan head screw, two 1/4" flanged hex head screws and three 1/4" flanged lock nuts, bolt center conduit carrier mount to the center rear shelf end panel. Repeat for each additional 40235 installed.



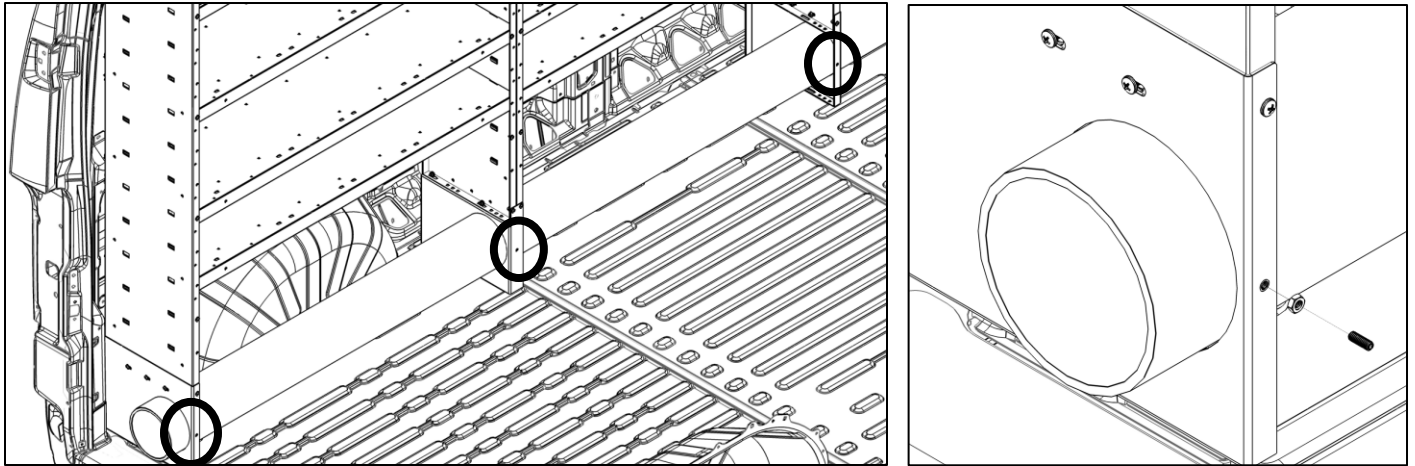
## Step 6 – Insert PVC Pipe

- Insert PVC pipe through holes in conduit carrier mounts.



- Loosely install three 1/4" set screws and three 1/4" jam nuts at the locations circled on the conduit carrier mounts.

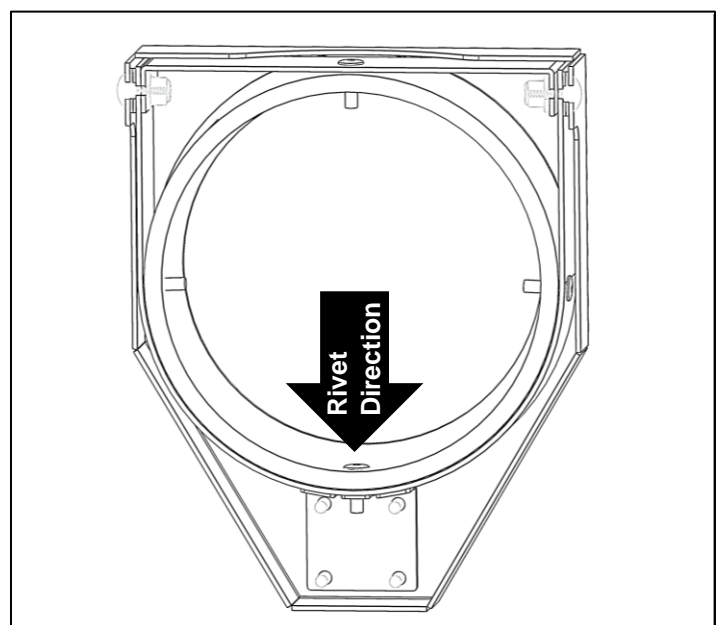
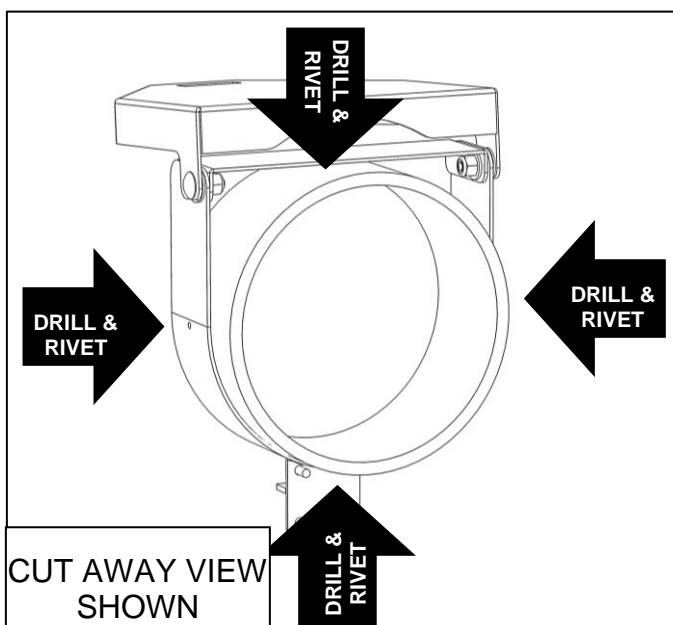
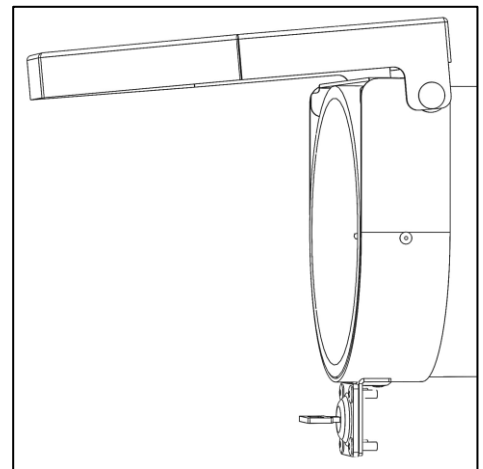
**Note: If installing additional 40235 you will need to repeat this step for each 40235 installed.**



## Step 7 – Install Door Cap

**NOTE: Be sure to use the factory finished end of PVC tubing to install door cap to. If you must use a cut end of PVC tubing, ensure cut end is cut straight and flat.**

- Slide door cap assembly over factory finished end of PVC tubing until PVC tubing is flush with outside edge of bracket.
- Using a 3/16" drill bit, drill through each of the four holes in door cap, also through the PVC.
- Insert blind rivets into each hole and rivet end cap to PVC. **We recommended installing bottom most rivet from inside the PVC pointing outward.**

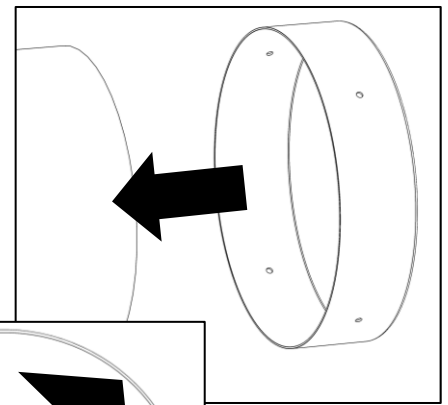
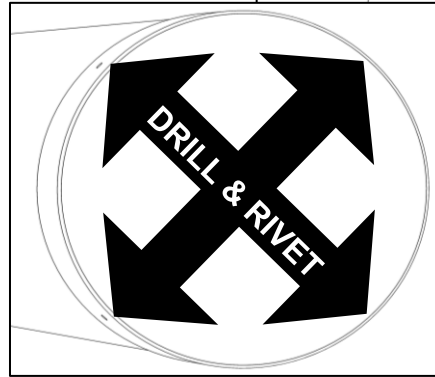


## Step 8 – Install End Cap

- Close and latch door at opposite end of conduit carrier.
- Insert a sample piece of material to be stored in conduit carrier.
- Slide end cap over PVC.

**Be sure to allow enough room so end cap is not tight against sample material inside.**

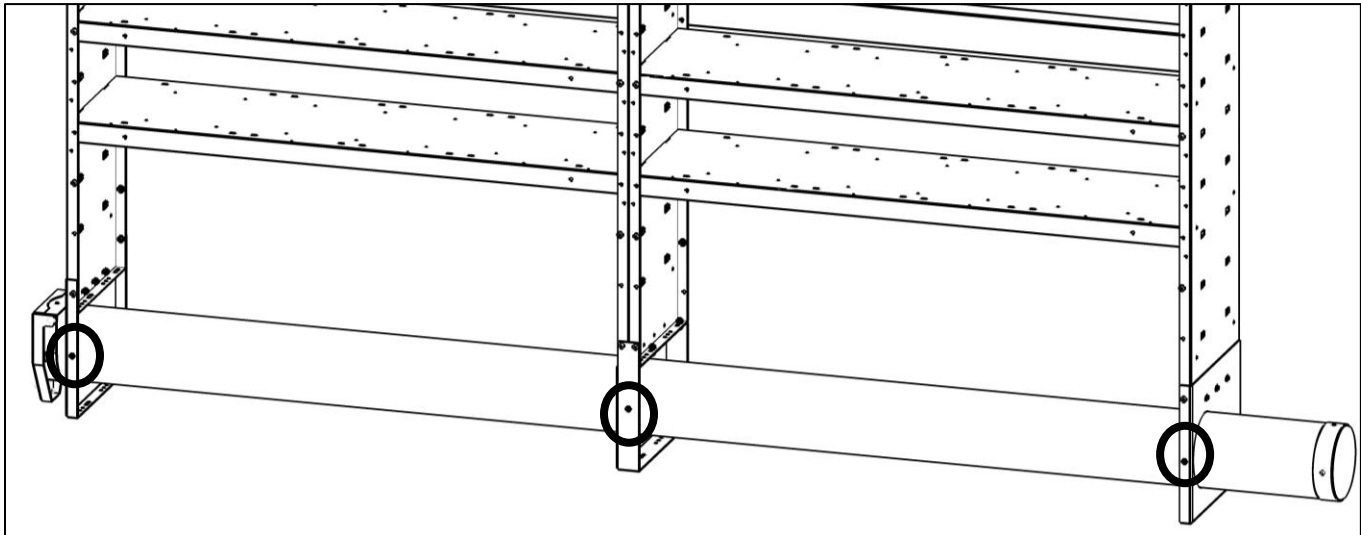
- Using a 3/16" drill bit, drill through each of the four holes in end cap and through the PVC.
- Insert blind rivets into each hole and rivet end cap to PVC.



## Step 9 – Tighten PVC Pipe

- Position PVC pipe as desired ensuring clearance for rear van doors to close.
- Tighten three 1/4" set screws and three 1/4" jam nuts.

**Note: If installing additional 40235 you will need to repeat this step for each 40235 installed.**



**GO BACK AND ENSURE ALL HARDWARE IS TIGHTENED.**

**ASSEMBLY AND INSTALLATION ARE COMPLETE.**