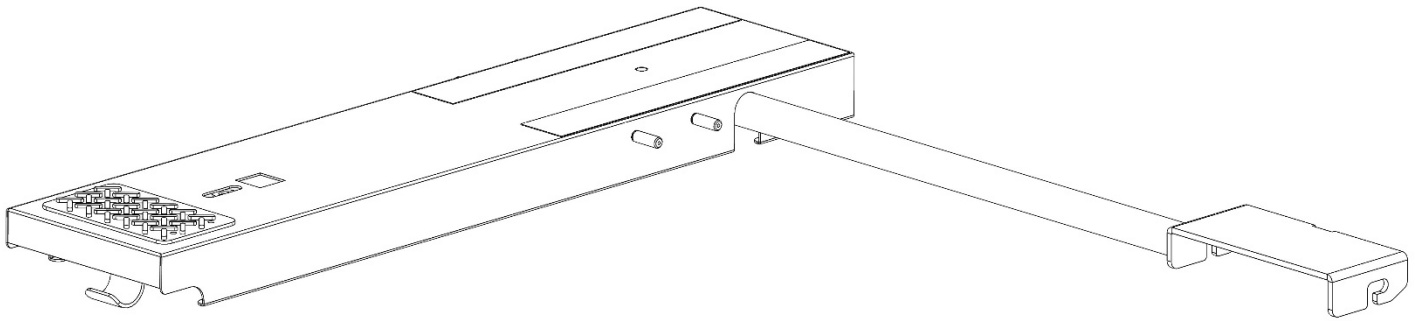


Holman

Instruction Guide

40816



Holman
Rancho Cordova, CA 95742
800-343-7486
InstallationSupport@Holman.com

PLEASE READ ALL INSTRUCTIONS AND WARNINGS PRIOR TO ASSEMBLING, INSTALLING, AND USING THIS PRODUCT.

Warning



Always check for wires, fuel tanks and lines, brake lines and other important vehicle functionality items prior to drilling and installing all products.



DO NOT EXCEED MANUFACTURERS WEIGHT CAPACITY FOR ROOF.

Tools Needed

1/2" Socket and Wrench	9/16" Socket and Wrench
9/16" Box Wrench	

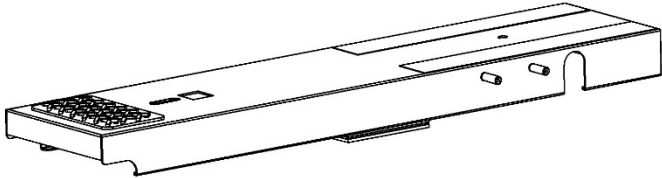
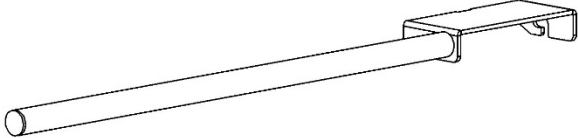
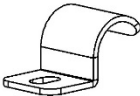

Table of Contents

Before You Begin	1
Parts List	2
Hardware	2
Assembly.....	3

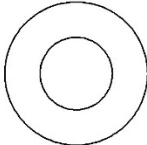

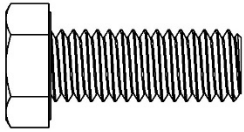
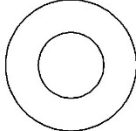


Before You Begin

- Read all instructions prior to installing any rack, accessory, or equipment.
- Place anti-seize on all threads.
- **THE STEPLADDER ACCESSORY MOUNTS TO THE PASSENGER-SIDE FRONT PAN OR THE DRIVER-SIDE REAR PAN (IF DRIVER-SIDE DROP DOWN IS INSTALLED).**

Parts List

ITEM NO.	ITEM	PART NUMBER	DESCRIPTION	QTY.
1		40816-11	STEP LADDER PAN	1
2		40816-12	PAN SUPPORT TUBE ASSY	1
3		40816-10-004	SUPPORT TUBE CONNECTING BRACKET	1
4		40816-10-005	STIFFENER CONNECTING BRACKET	1
5		18-40816	HARDWARE KIT	1

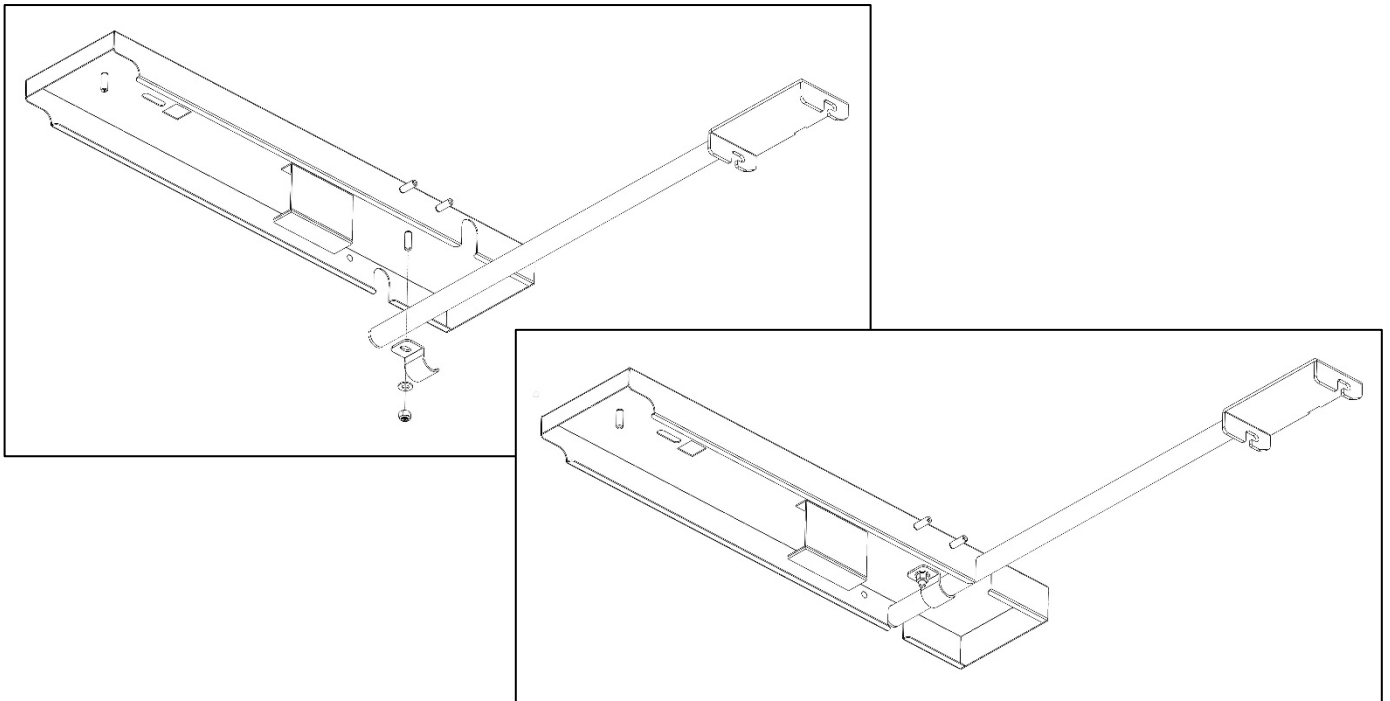
Hardware

ITEM	HARDWARE TO SCALE	PART NUMBER	DESCRIPTION	QTY.
1		11541089	3/8" WASHER	1
2		0169791	3/8"-16 LOCK NUT	1
3		70105	3/8-16 X 1" HEX HEAD BOLT	1
4		33080	5/16" WASHER	4
5		0169777	5/16"-18 NYLOC	4
6			1/2" X 1" UHMW TAPE	4

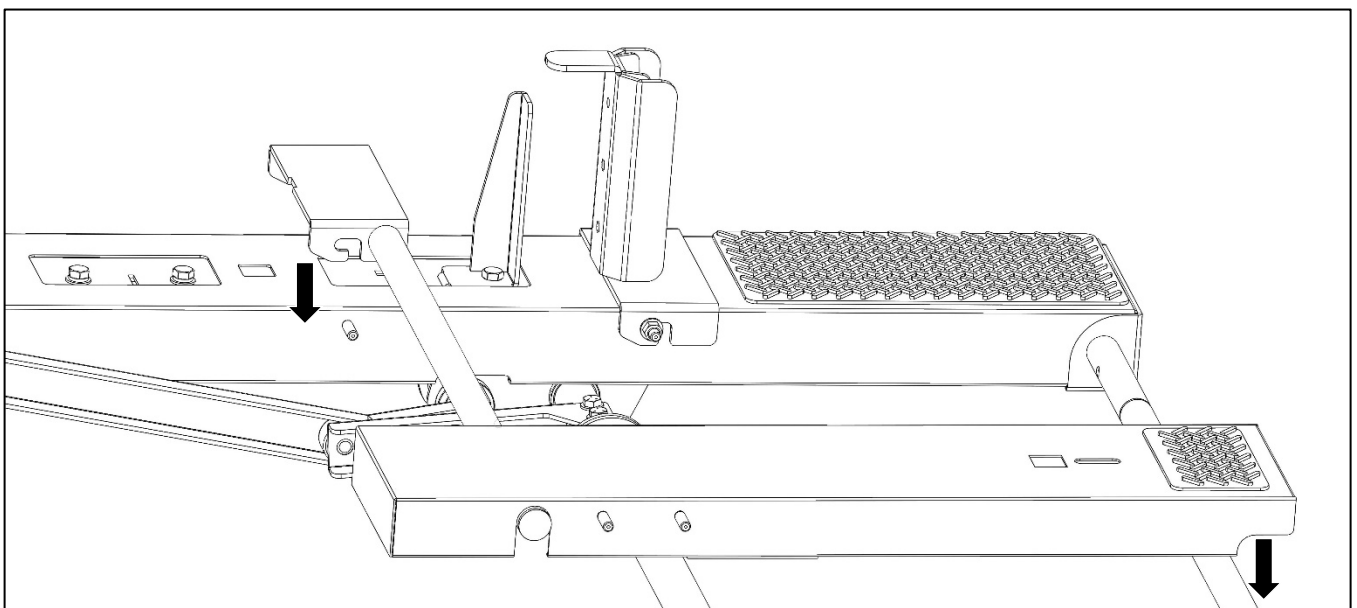
DO NOT EXCEED MANUFACTURERS WEIGHT CAPACITY FOR ROOF

Assembly

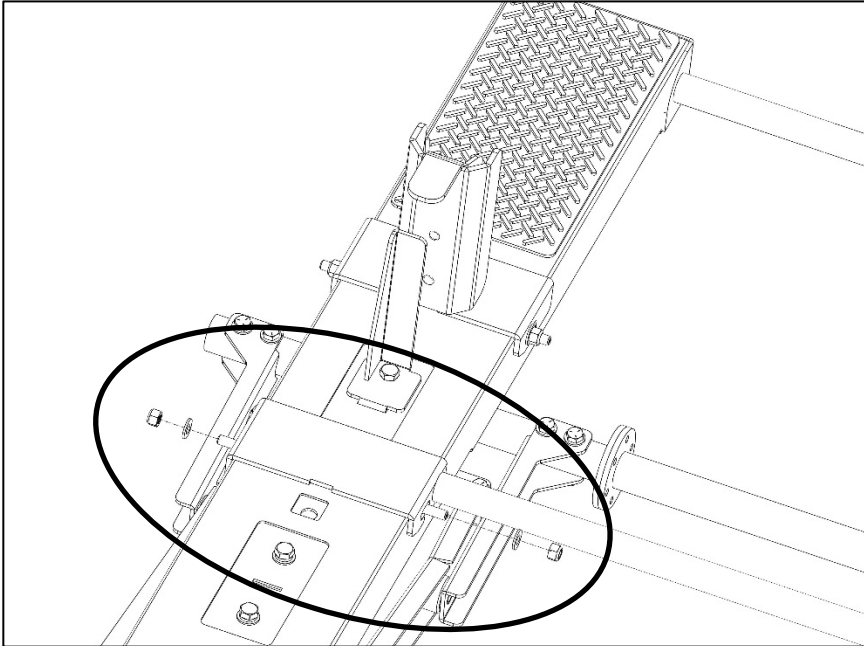
- Using the stiffener connecting bracket (the taller bracket), a 5/16" washer and 5/16" lock nut, loosely attach pan support tube assembly to the 5/16" stud on the bottom of the step ladder pan as shown.



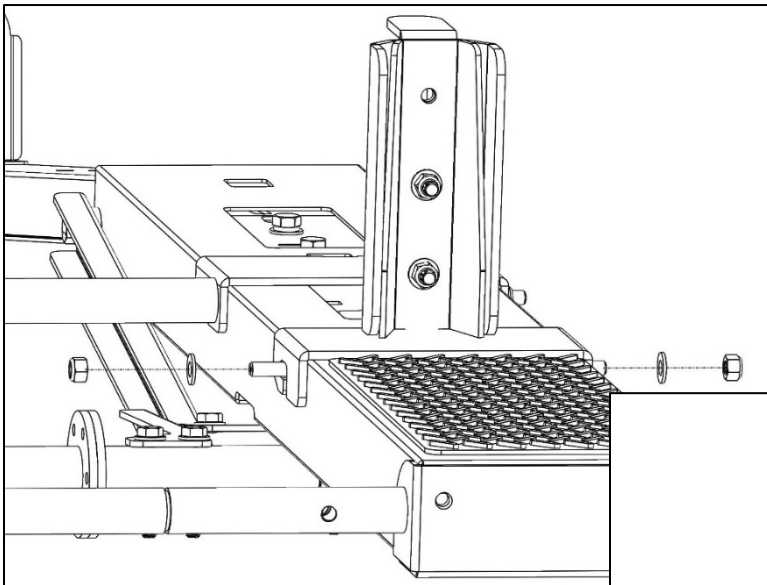
- Attach pan support tube assembly to the pan of the drop down ladder rack, to the right, on the 5/16" studs that are closest to the center of the vehicle.



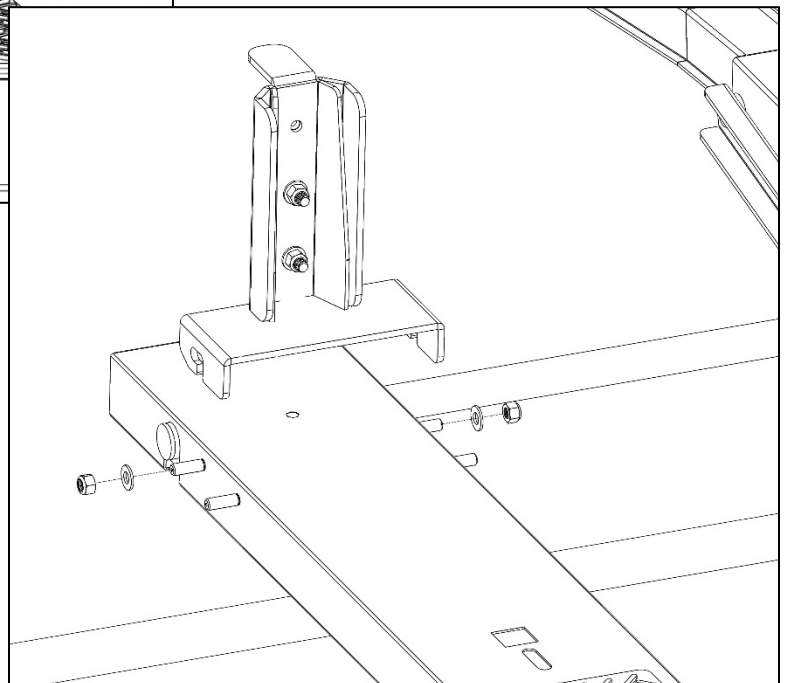
- Secure the bracket with 5/16" washer and 5/16" lock nut on both sides.



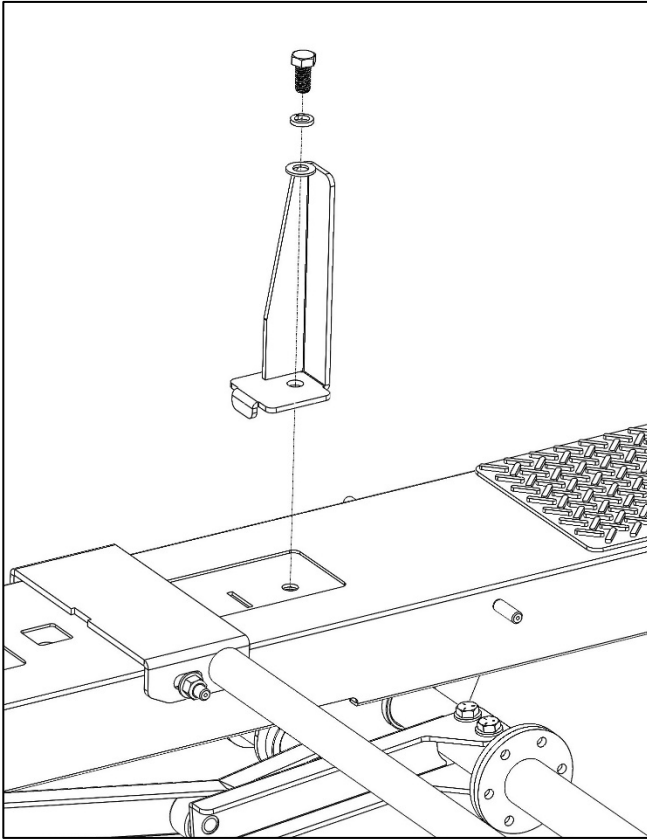
- Detach the ladder hook from the original pan.



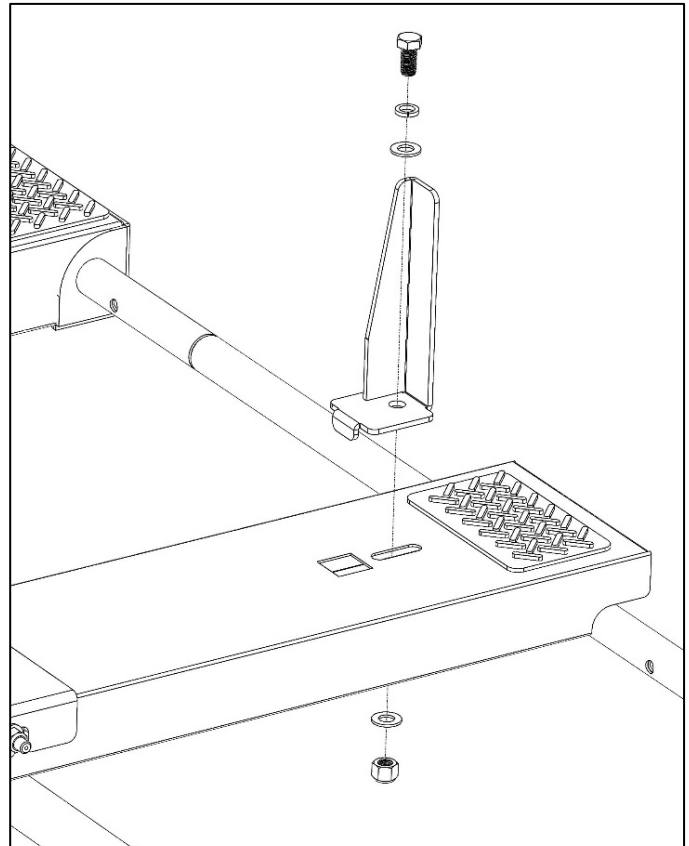
- Loosely install onto the new extension kit using the two 5/16" lock nuts and two 5/16" washers as shown.



- Detach the ladder step from the original pan.

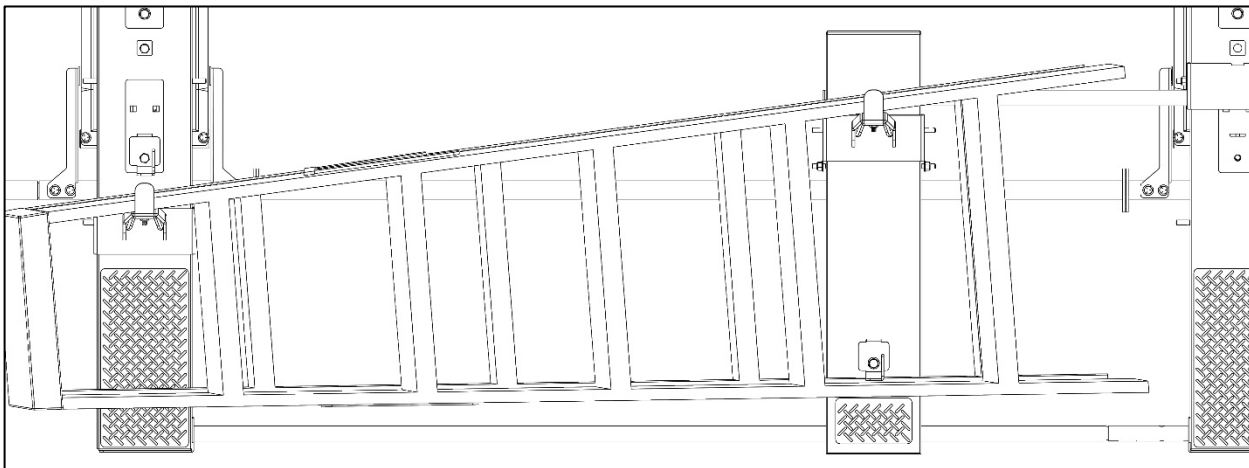


- Loosely install ladder stop to using the 3/8" x 1" hex bolt from the hardware kit, 3/8" washers, 3/8" lock nut and placing stop so the tab goes into the corresponding rectangular hole.

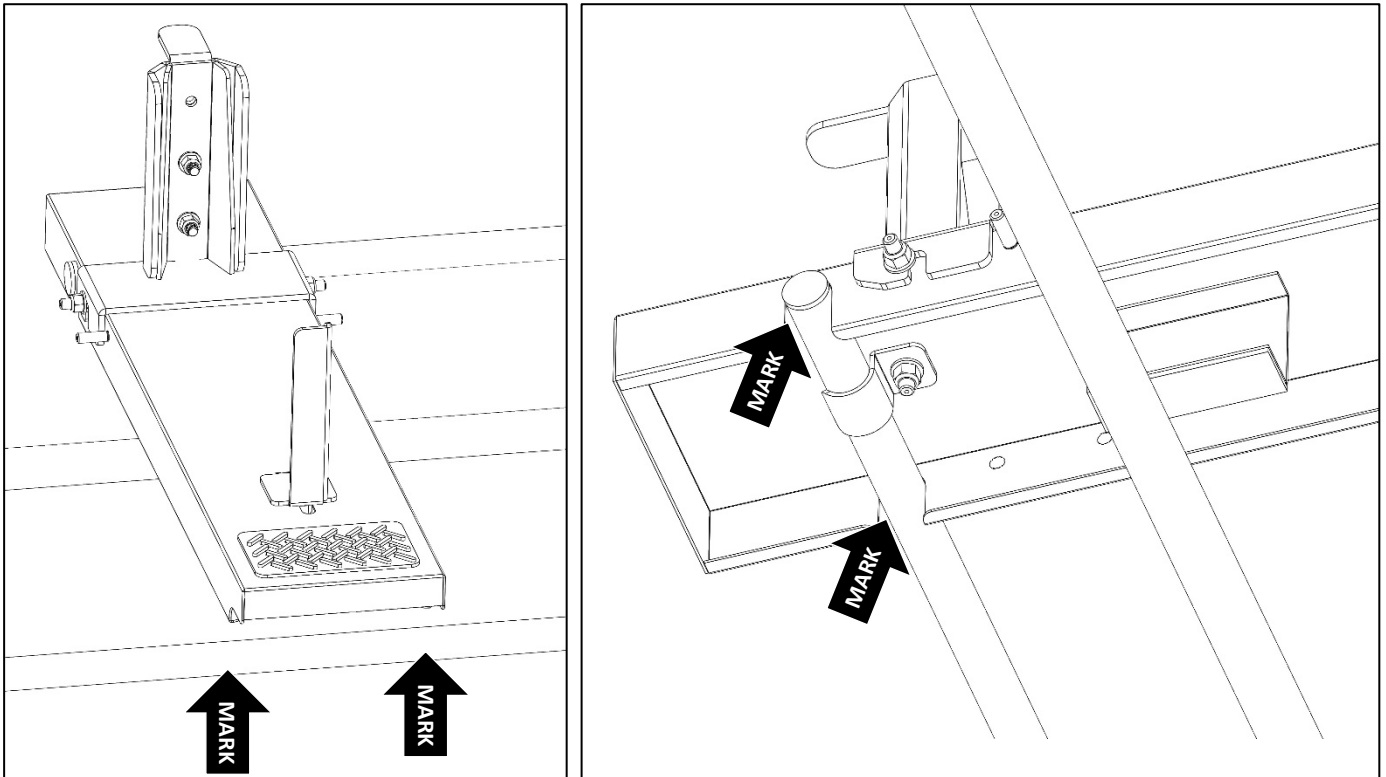


- Gently set and hold the ladder in position on the rack, as shown, and adjust the stepladder pan into position.

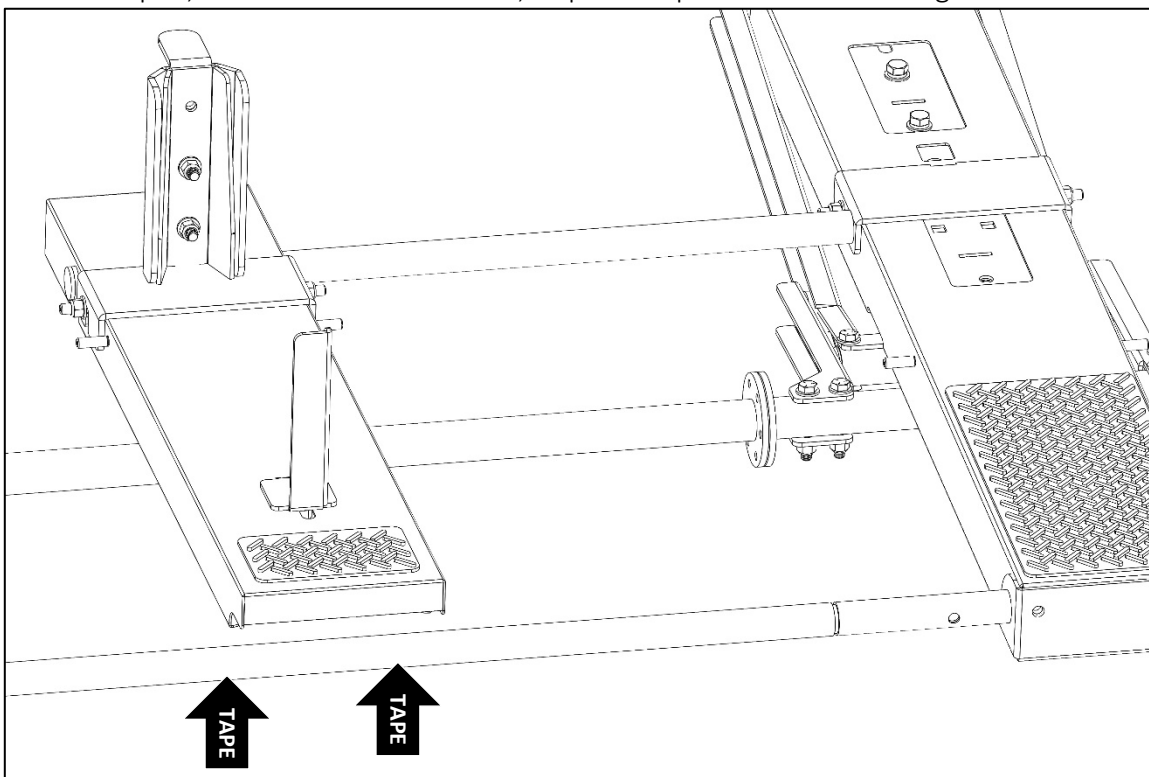
NOTE: The ladder position shown below is the appropriate position during use.



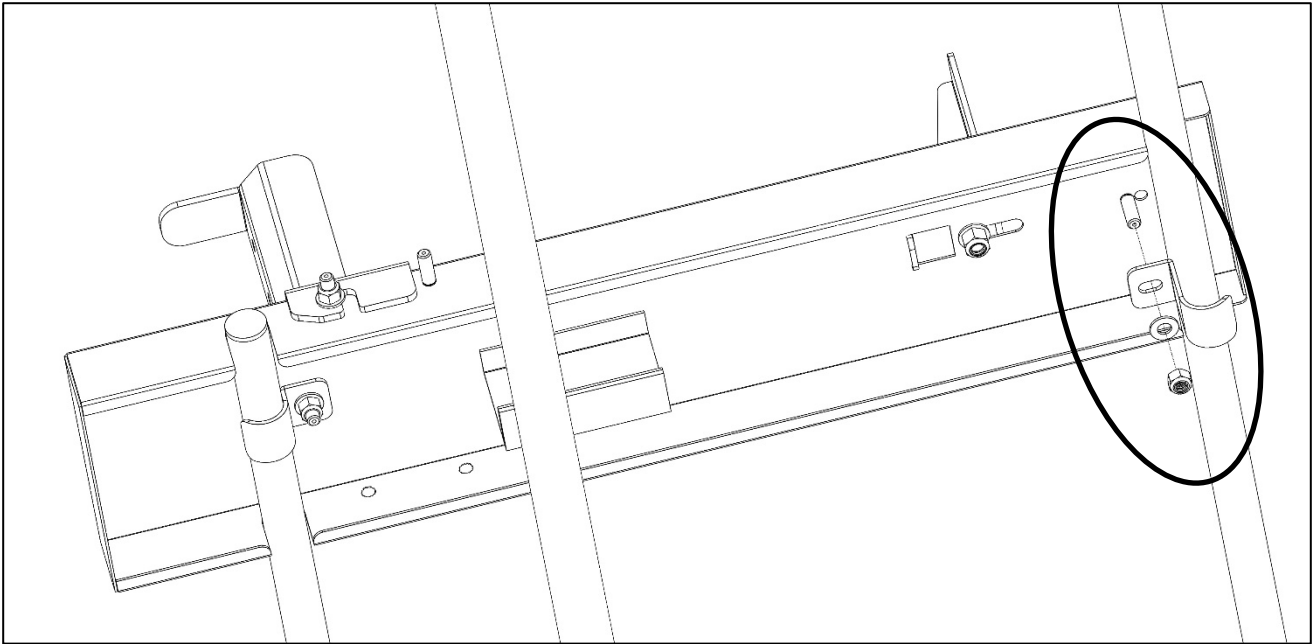
- Using a pencil, mark on the drop down rack support tube and the pan support tube, the location of the ladder pan.



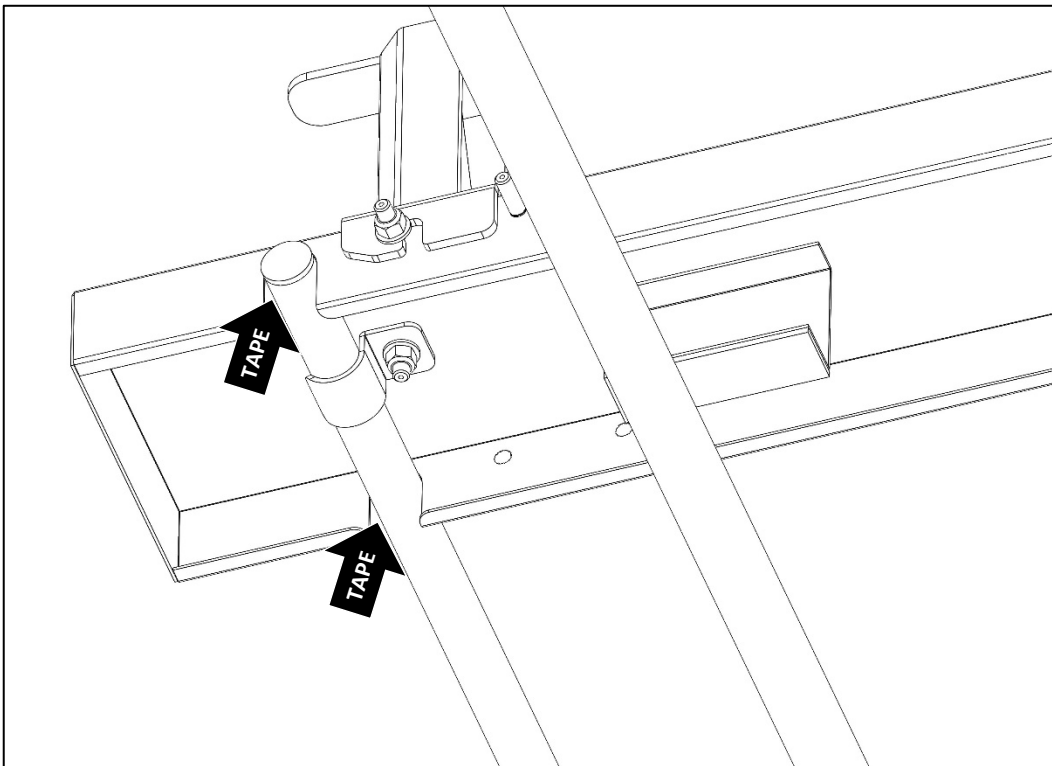
- Remove the ladder.
- Ensure the stepladder pan is at the marked position.
- Apply the protector tape, included in the bolt kit, on the drop down rack support tube, just below the extension pan, centered over the marks, to prevent paint from scratching.



- Loosely fasten the ladder pan to the support tube, using the support tube connecting bracket (the shorter bracket), a 5/16" washer and a 5/16" lock nut.



- Loosen the stiffener connecting bracket and slide the extension pan aside.
- Apply protector tape, included in the bolt kit, on the pan support tube, just below the extension pan, centered over the marks, to prevent paint from scratching.



GO BACK AND ENSURE ALL HARDWARE IS TIGHTENED.
ASSEMBLY IS COMPLETE