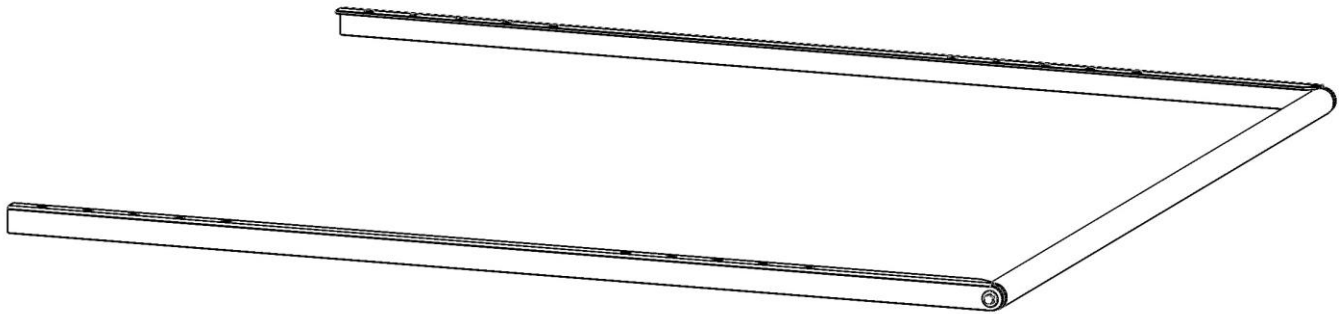




WE PUT EVERYTHING WITHIN REACH.

Instruction Guide

40832



Kargo Master
Rancho Cordova, CA 95742
800-343-7486
CustomerService@KargoMaster.com

*** PLEASE READ ALL INSTRUCTIONS AND WARNINGS PRIOR TO ASSEMBLING, INSTALLING, AND USING THIS PRODUCT. ***

Warning



DO NOT EXCEED MANUFACTURERS WEIGHT CAPACITY FOR ROOF.

Tools Needed

1/2", 9/16" Sockets and Wrench	1/2", 9/16" Box Wrench
--------------------------------	------------------------

Table of Contents

Before You Begin..... 1

Parts List..... 2

Hardware 2

Step 1 – Locate Installation Position..... 3

Step 2 – Assemble Roller Bar 3

Step 3 – Attach Roller Bar Assembly..... 4

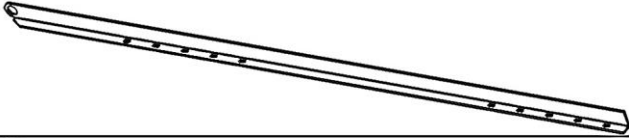


Step 4 – Install Rack with Roller Bar onto Vehicle 5

Step 5 – Tighten hardware..... 5

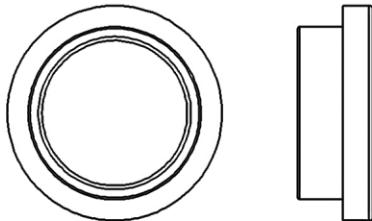
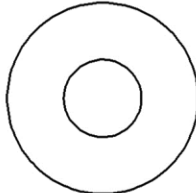
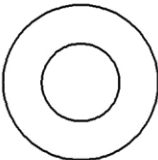
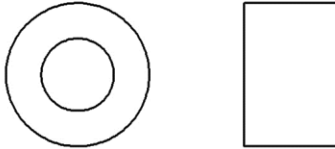
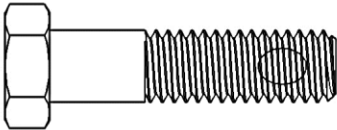
Before You Begin

- **Before installing roller bar attachment, crossbar rack and additional crossbar rack add-on should already be assembled. These instructions assume crossbar rack is already assembled and installed. Refer to 4A823 and 4A824 installation instructions for crossbar rack and add-on crossbar assembly and installation.**
- Read all instructions prior to installing any product.

Parts List

NO.	ITEM	PART NUMBER	DESCRIPTION	QTY.
1		101123	ROLLER BAR RAIL DS	1
2		101125	ROLLER BAR RAIL PS	1
3		101092	ROLLER BAR	1
4		18-40832	40832 HARDWARE KIT	1

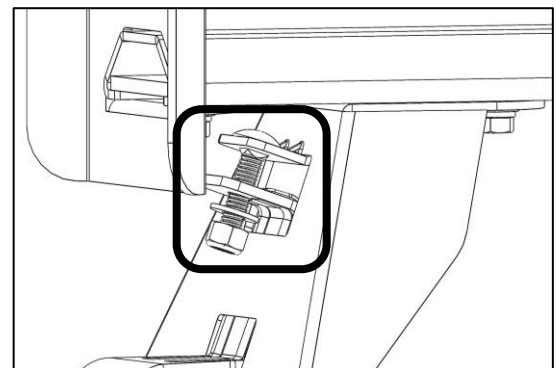
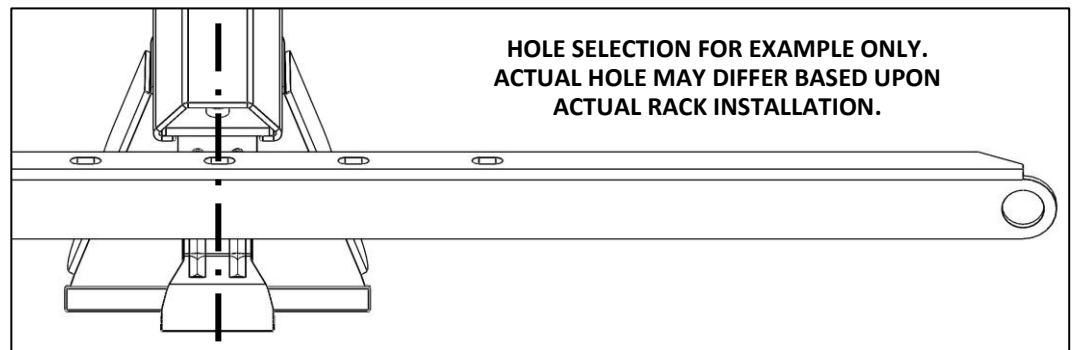
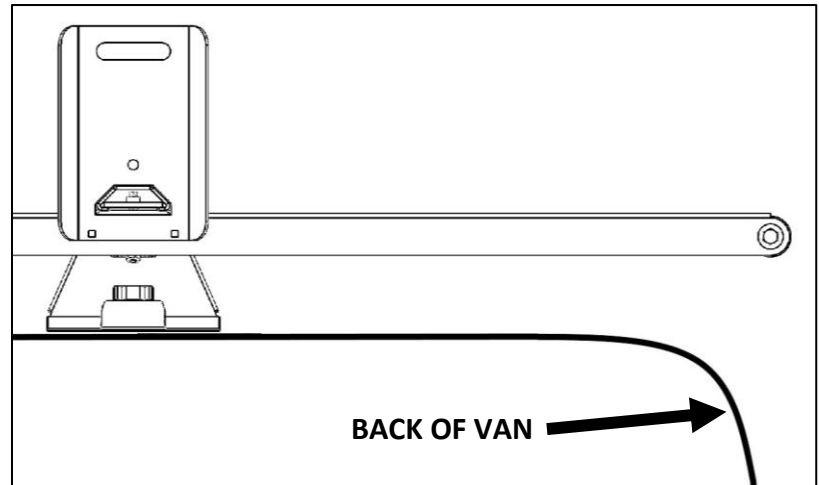
Hardware

ITEM	HARDWARE TO SCALE	PART NUMBER	DESCRIPTION	QTY.
1		VRB-007	BUSHING, FLANGED, 3/4" ID	2
2		90295A173	.406"ID X 1"OD NYLON WASHER	2
3		78018	3/8" X 1"OD OVERSIZE WASHER	2
4		-	BUSHING, 3/8" ID, 3/4" OD, 1/2" LG, NYLON	2
5		91412A470	3/8"-16 X 1-1/2" THREAD LOCKING HEX HEAD BOLT	2

DO NOT EXCEED MANUFACTURERS WEIGHT CAPACITY FOR ROOF.

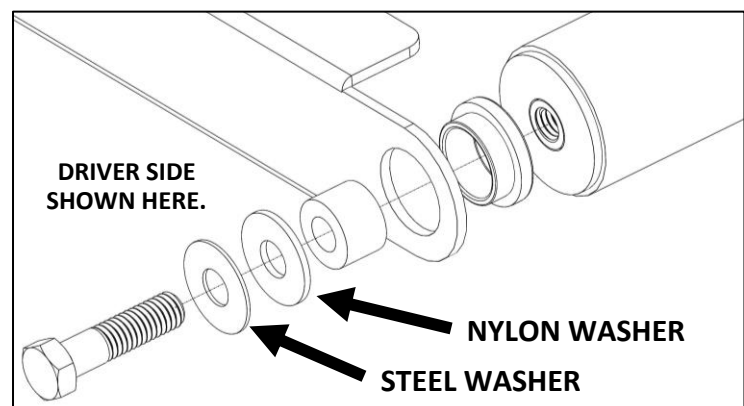
Step 1 – Locate Installation Position

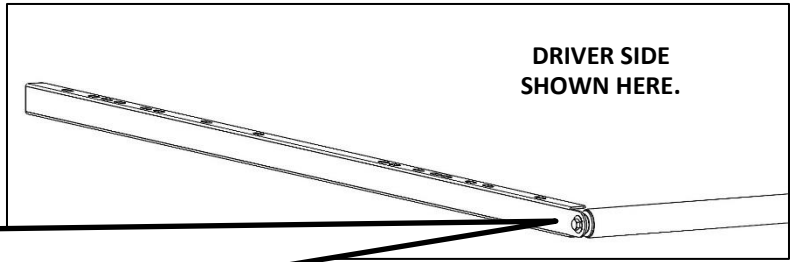
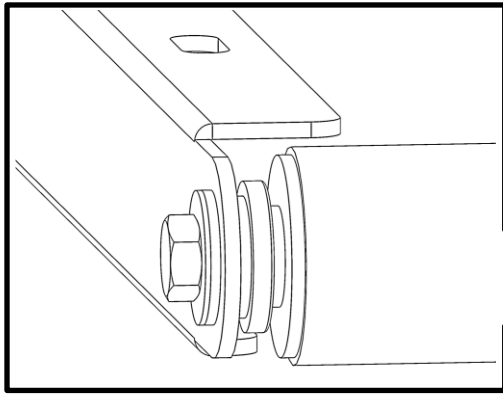
- Position driver-side roller bar rail (DS) beneath crossbars on rack with large-hole ends hanging over rear of vehicle. The roller bar will be installed in large holes. When installed, the roller bar should have enough clearance from rear of vehicle so ladders do not contact vehicle when loading.
- Make note of current location rear crossbar is installed. If crossbar rack is not already installed, take note of intended installation location.
- Mark which hole on roller bar rail corresponds to center of rear crossbar.
- Completely loosen nut on center and rear crossbar gutter clamps.
- Remove center and rear crossbar assemblies.



Step 2 – Assemble Roller Bar

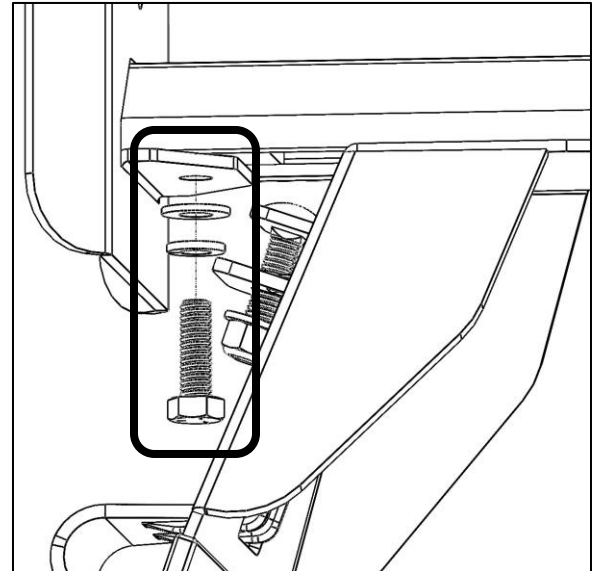
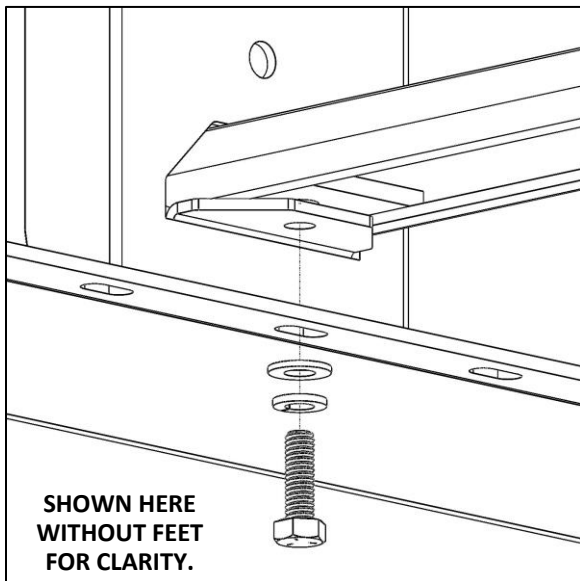
- Using one each of 3/8" x 1-1/2" hex head bolt, 3/8" oversized washer, .406" nylon washer, 3/8" ID nylon bushing, and 3/4" ID flanged bushing, fasten roller bar to the driver-side (DS) side rail, as shown.
- ! **Be sure flanged bushing is inserted into large hole in side rail as shown.**
- ! **Be sure steel washer is outside of the nylon washer, with nylon washer against side rail.**
- **Tighten so that the roller bar is still able spin easily. DO NOT OVERTIGHTEN!**
- Repeat for opposite passenger-side (PS) side rail.





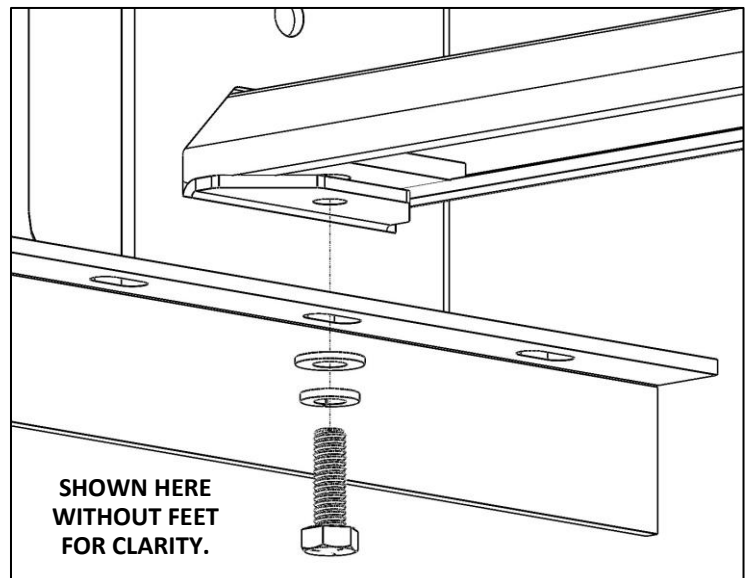
Step 3 – Attach Roller Bar Assembly

- Remove rack end stop from driver-side of rear crossbar assembly.



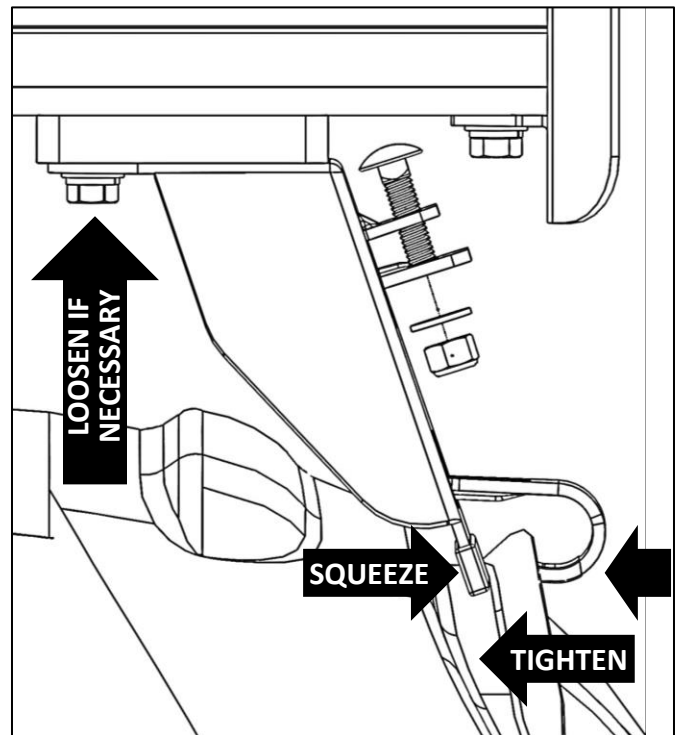
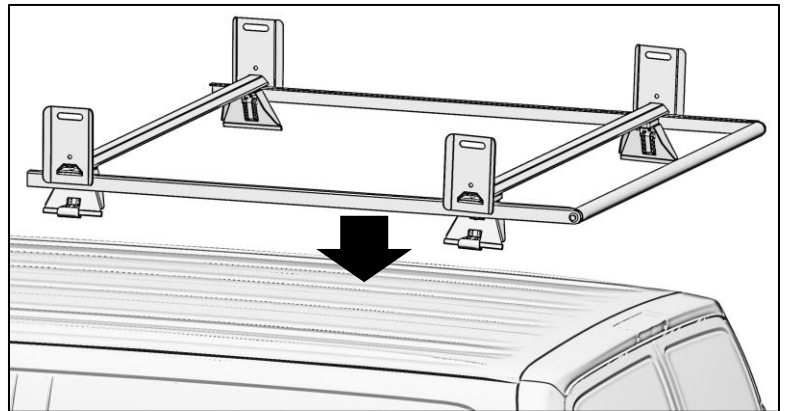
- Using end stop hardware, bolt through previously marked slot in driver-side roller bar rail and then through end stop, into threaded slider plate.
- Snug tighten but allow for movement.

- Remove end stop from middle crossbar assembly.
- Using end stop hardware, bolt through a slot near opposite end of driver-side roller bar rail and then through end stop, into threaded slider plate. **Typical installation of center crossbar assembly is about 48 inches or midway between front and rear crossbar assemblies.**
- Snug tighten but allow for movement.
- Repeat for opposite side.



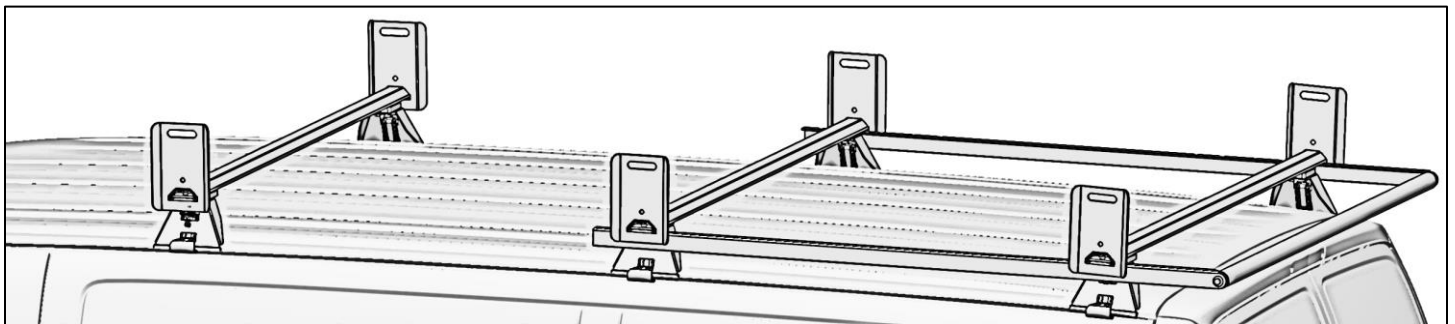
Step 4 – Install Rack with Roller Bar onto Vehicle

- Position rack on vehicle with rear crossbar assembly in same position as before removal.
- Be sure gutter clamps are positioned on underside of vehicle rain gutter.
- LOOSELY clamp the vehicle rain gutter between the gutter clamp and the foot. **DO NOT TIGHTEN.**
- Square crossbars to roller bar rails and square rack to vehicle
- While squeezing the gutter clamp and foot to each side of vehicles roof rain gutter, tighten foot to crossbow.
- Repeat for all other feet.



Step 5 – Tighten hardware.

- Tighten all hardware.
- Be sure roller bar moves freely.
- Loosen and tighten foot hardware as necessary.



GO BACK AND ENSURE ALL HARDWARE IS TIGHTENED.

ASSEMBLY AND INSTALLATION ARE COMPLETE.