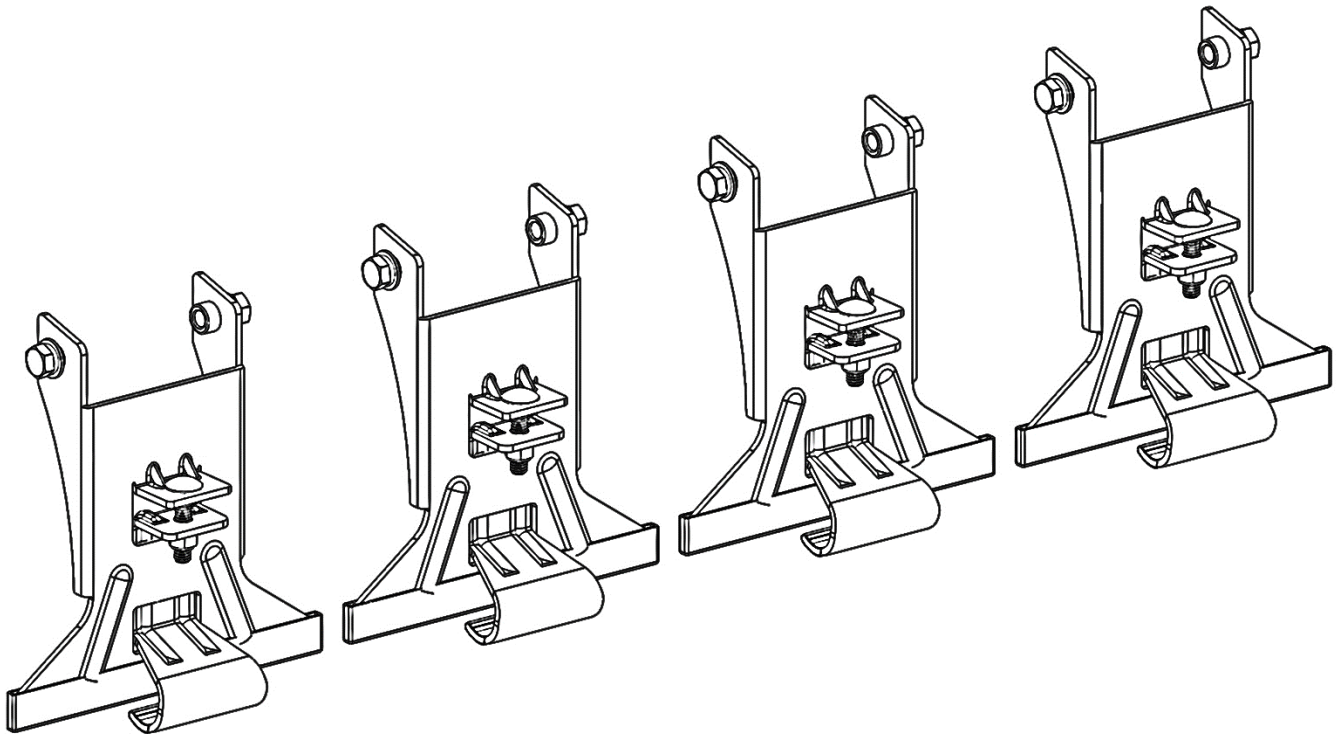


Holman

Installation Guide

409CD



Holman
Rancho Cordova, CA 95742
800-343-7486
InstallationSupport@Holman.com

PLEASE READ ALL INSTRUCTIONS AND WARNINGS PRIOR TO ASSEMBLING, INSTALLING, AND USING THIS PRODUCT.

Warning



Always check for wires, fuel tanks and lines, brake lines and other important vehicle functionality items prior to drilling and installing all products.



DO NOT EXCEED MANUFACTURERS WEIGHT CAPACITY FOR ROOF.



Secure all payloads properly for safe transportation.



DO NOT OVERTIGHTEN GUTTER CLAMPS to avoid damage to gutters, roof, and vehicle.

Tools Needed

| | |
|------------------------|-------------------------|
| 1/2" Socket and Wrench | 9/16" Socket and Wrench |
|------------------------|-------------------------|

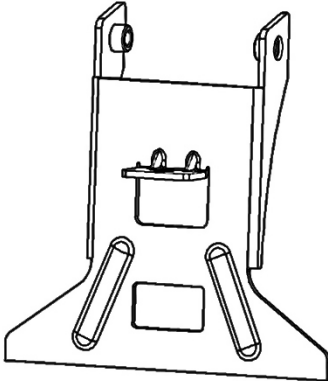
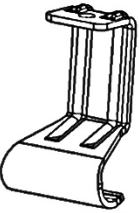
Table of Contents

| | |
|--|---|
| Parts List | 2 |
| Hardware | 2 |
| Step 1 – Foot Attachment | 3 |
| Step 2 – Attach Rack to Rain Gutters | 4 |
| Rack Height Adjustment | 5 |

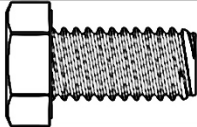
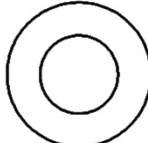
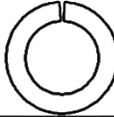
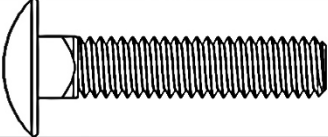

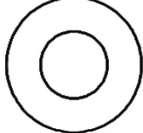
Before You Begin

- Read all instructions prior to assembling or installing any Holman product.
 - Follow assembly instructions found with the rack to assemble. Assemble rack prior to installing on van.
 - **Be sure to adjust rack far enough to the rear so rear doors open.**
-

Parts List

| NO. | ITEM | PART NUMBER | DESCRIPTION | QTY. |
|-----|---|--------------|-----------------|------|
| 1 |  | 409CD-00-001 | GM FOOT | 4 |
| 2 |  | 11-02085 | GM GUTTER CLAMP | 4 |
| 3 | | 18-4081C | HARDWARE KIT | 1 |

Hardware

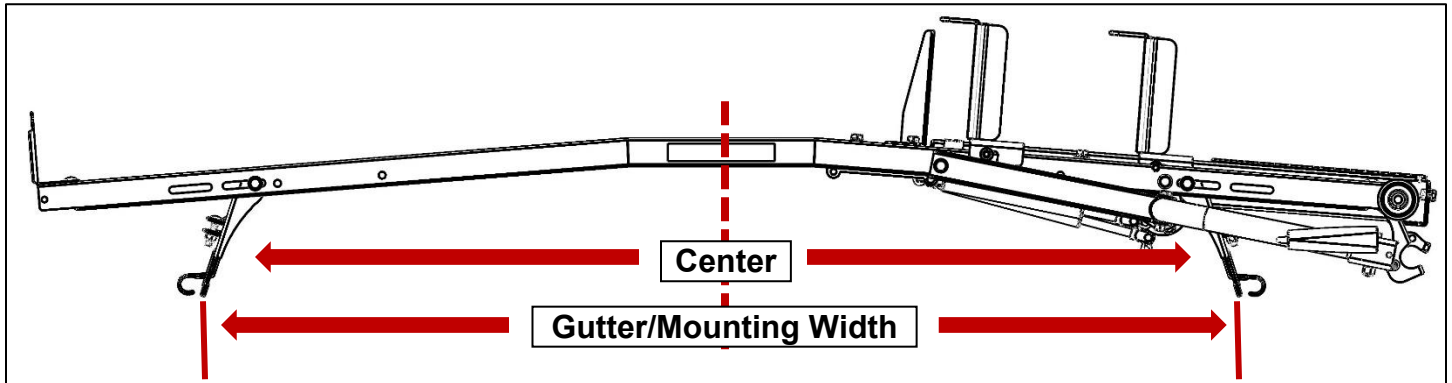
| ITEM | HARDWARE TO SCALE | PART NUMBER | DESCRIPTION | QTY. |
|------|---|-------------|--------------------------------|------|
| 1 |  | 11241196 | 3/8-16 X 3/4" HEX HEAD BOLT | 8 |
| 2 |  | 0159723 | 3/8" FLAT WASHER | 8 |
| 3 |  | 0123522 | 3/8" LOCK WASHER | 8 |
| 4 |  | 90185A171 | 5/16-18 X 1-1/2" CARRIAGE BOLT | 4 |
| 5 |  | 37521 | 5/16"-18 LOCK NUT | 4 |
| 6 |  | 33006 | 5/16" FLAT WASHER | 4 |

DO NOT EXCEED MANUFACTURERS WEIGHT CAPACITY FOR ROOF!

Step 1 – Foot Attachment

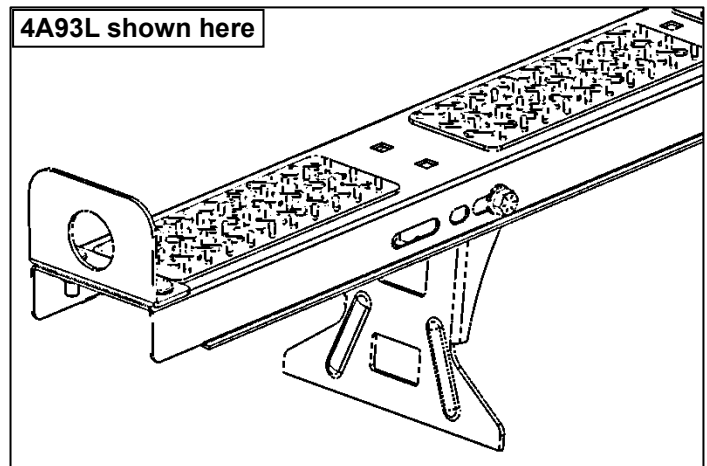
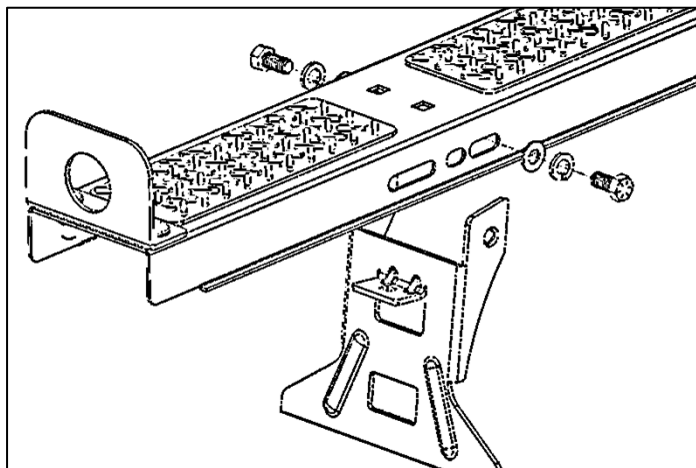
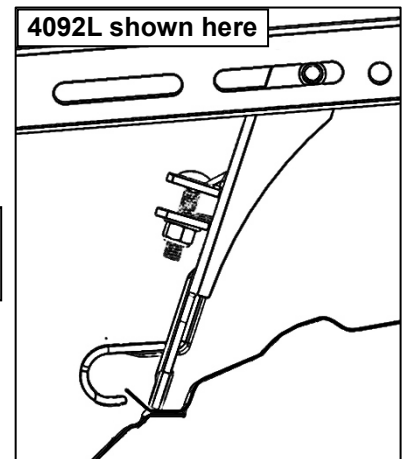
Note: Foot should not be installed vertically and should be angled inward to provide maximum stability and a secure connection to the rain gutter.

- Measure width of rain gutter on van, front and rear. Typically, in most vans, the rain gutters are farther apart at front of vehicle.



- At approximately the width measured from the rain gutter, attach foot using 3/8" x 3/4" hex bolts, 3/8" lock washers and 3/8" flat washers, as shown. **Be sure there is an equal distance from the center of the cross bow to each foot.**
- Snug tighten but allow for movement.

! DO NOT USE IMPACT DRIVER!



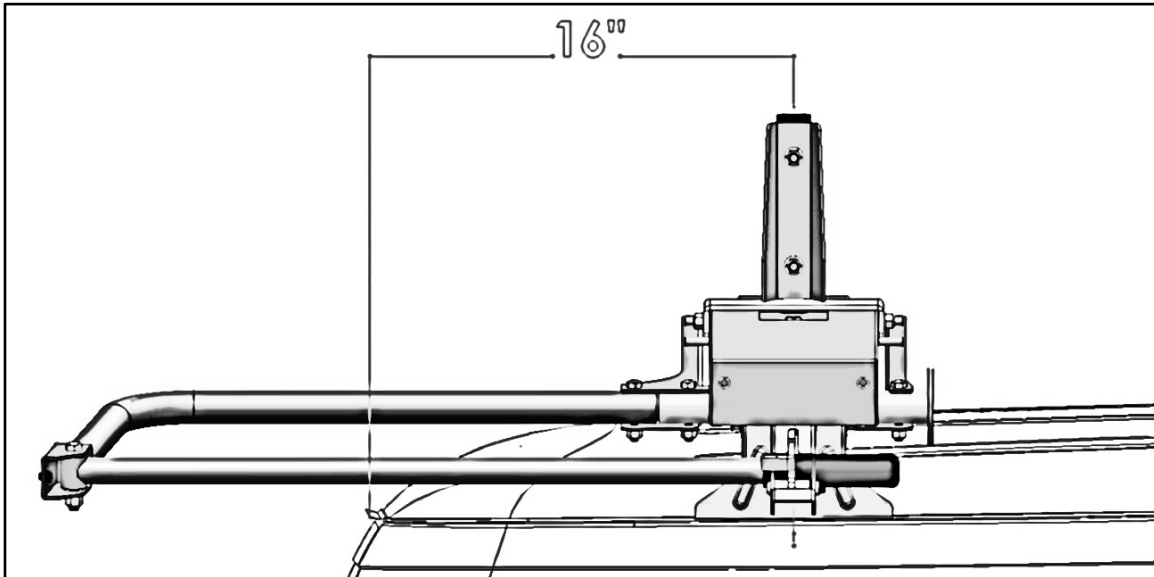
Step 2 – Attach Rack to Rain Gutters

- Place padding beneath the rack to keep the rack from scratching the roof.
- Place rack assembly on vehicle with the rear bow approximately 16" from rear of van.



Be sure to leave enough space for the handle to clear the van when operating the rack.

The GM van roof curves downward towards the rear of the van. The rear foot should be placed forward of this curve to ensure proper installation.



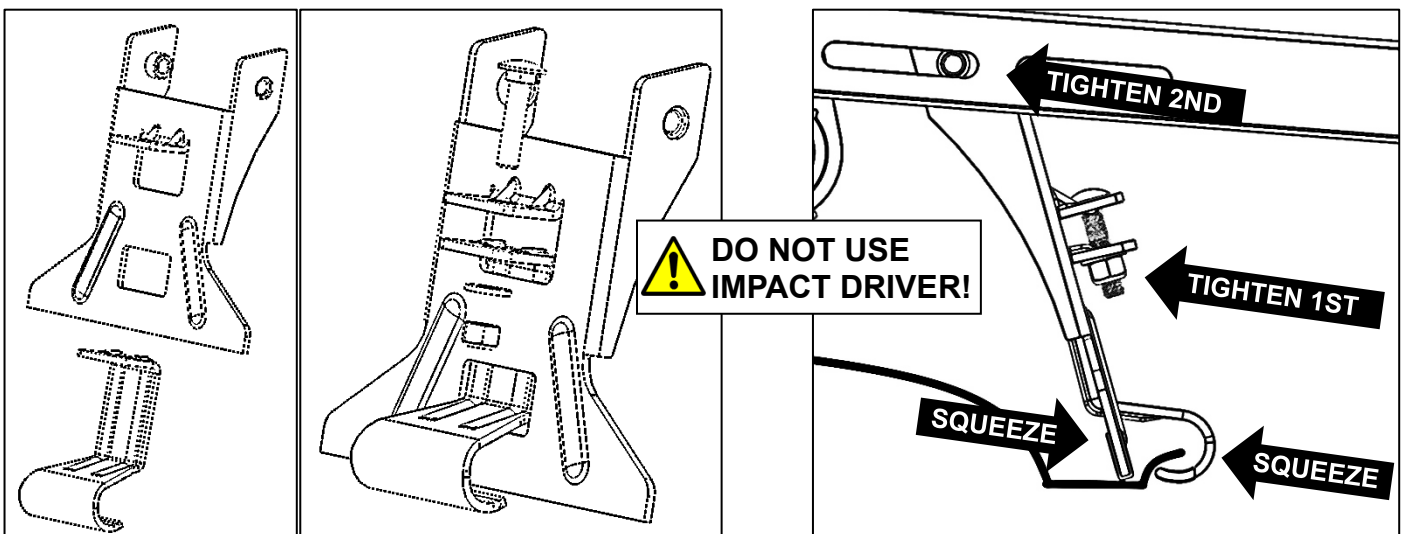
- Insert gutter clamp through a mount foot.
- Squeeze the rain gutter between the gutter mount and gutter clamp.
- Using 5/16" x 1-1/2" carriage bolt, 5/16" flat washer, and 5/16" lock nut, tighten nut until gutter clamp and gutter mount are squeezing the gutter, as shown.



DO NOT OVERTIGHTEN clamping 5/16" nut. Damage to roof may occur.

Be cautious of excess OEM seam sealer build up. Feet and clamp will not clamp correctly or maintain grip if installed on top of seam sealer.

- Snug tighten bolts fastening foot to bow.



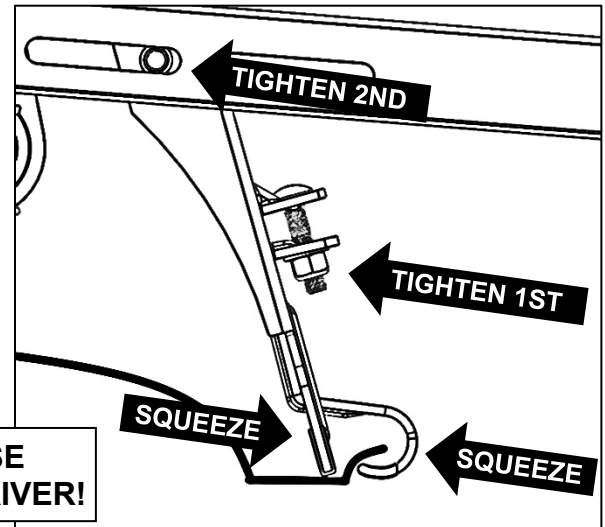
- Repeat for remaining three feet.
- Check that rack is square and centered above vehicle.
- Squeeze the rain gutter between the gutter mount and gutter clamp, and tighten bolts between foot and clamp.



DO NOT OVERTIGHTEN clamping 5/16” nut.

- Tighten bolts fastening each foot to each bow.

DO NOT USE IMPACT DRIVER!



GO BACK AND INSPECT EACH FOOT TO ENSURE EACH IS SECURELY FASTENED TO THE VEHICLE GUTTER AND NOT ON TOP OF FACTORY SEAM SEALER.

VERIFY THAT ALL HARDWARE IS TIGHTENED.

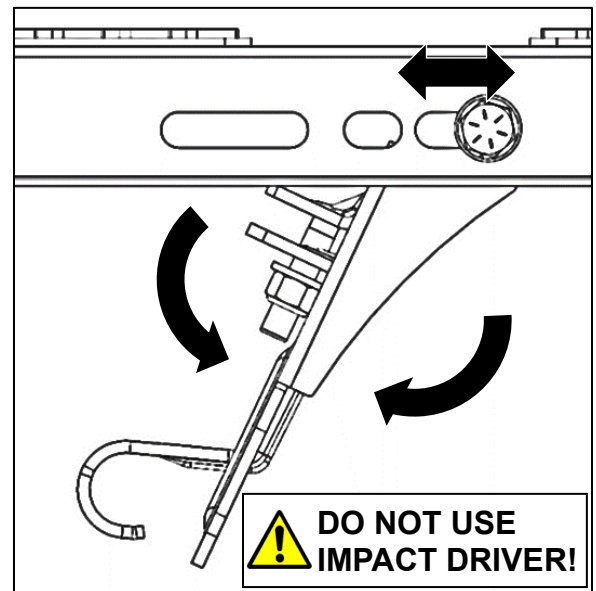
Rack Height Adjustment

- Place padding beneath the rack to keep the rack from scratching the roof.
- Loosen the 3/8" x 3/4" hex bolts to each side of bow on the same side vehicle.
- Loosen the 5/16" x 1-1/2" carriage bolts at each end connecting chevy clamp to foot. **Be sure to keep gutter mount lightly clamping gutter.**
- Adjust angle of foot until rack is at desired height.
- Squeeze the rain gutter between the gutter mount and gutter clamp, and tighten bolts between foot and clamp.



DO NOT OVERTIGHTEN clamping 5/16” nuts.

- Tighten bolts fastening each foot to each bow.



GO BACK AND INSPECT EACH FOOT TO ENSURE EACH IS SECURELY FASTENED TO THE VEHICLE GUTTER AND THAT ALL HARDWARE IS TIGHTENED.