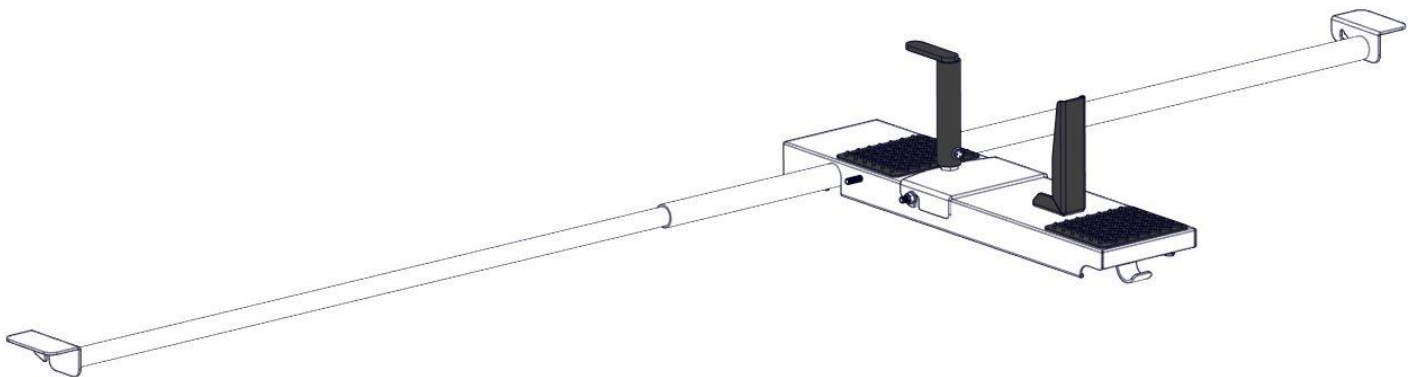

KARGO MASTER®

WE PUT EVERYTHING WITHIN REACH.

Instruction Guide

4A816-Rev 1



Kargo Master
Rancho Cordova, CA 95742
800-343-7486
CustomerService@KargoMaster.com

*PLEASE READ ALL INSTRUCTIONS AND WARNINGS PRIOR TO ASSEMBLING,
INSTALLING, AND USING THIS PRODUCT*

Warning



Always check for wires, fuel tanks and lines, brake lines and other important vehicle functionality items prior to drilling and installing all products.

Tools Needed

1/2" Socket and Wrench	9/16" Socket and Wrench
------------------------	-------------------------

Table of Contents

Parts List3

Assembly Hardware3

Rack Assembly

Step 1 – Remove Front Bow Ladder Hook and Ladder Stop4

Step 2 – Remove Rear Bow Ladder Hook Hardware5

Step 3 – Assemble Upper Support Tube.....5

Step 4 – Install Upper Support Tube Assembly6

Step 5 – Install Extension Pan 7-8

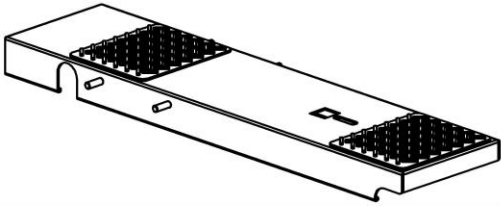
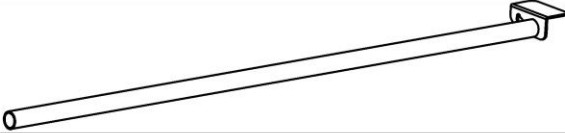
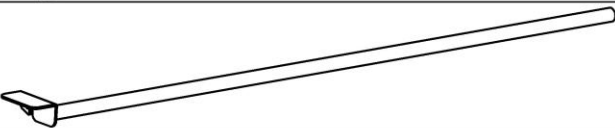


Step 6 – Install Ladder Hook9

Step 7 – Install Ladder Stop10

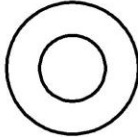


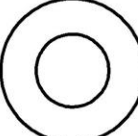

Before You Begin

- Read all instructions.
- **DO NOT EXCEED MANUFACTURERS WEIGHT CAPACITY FOR ROOF.**
- **BE SURE TO ADJUST LADDER CLAMPS ACCORDINGLY TO FIRMLY SECURE LADDER TO RACK.**

Parts

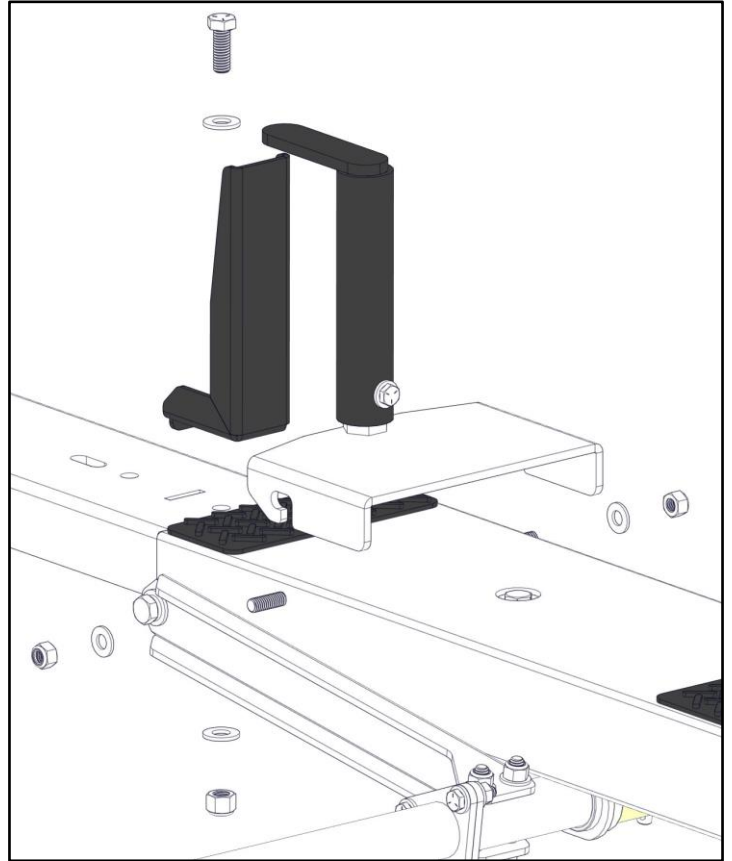
ITEM NO.		PART NUMBER	DESCRIPTION	QTY.
A		4A816-11	LADDER PAN	1
B		4A816-12-1	UPPER SUPPORT TUBE - OUTER	1
C		4A816-12-2	UPPER TUBE SUPPORT - INNER	1
D		4A816-00-005	LARGE CLAMP	1
E		4A816-00-006	SMALL CLAMP	1
		18-4A816	HARDWARE	1

Hardware

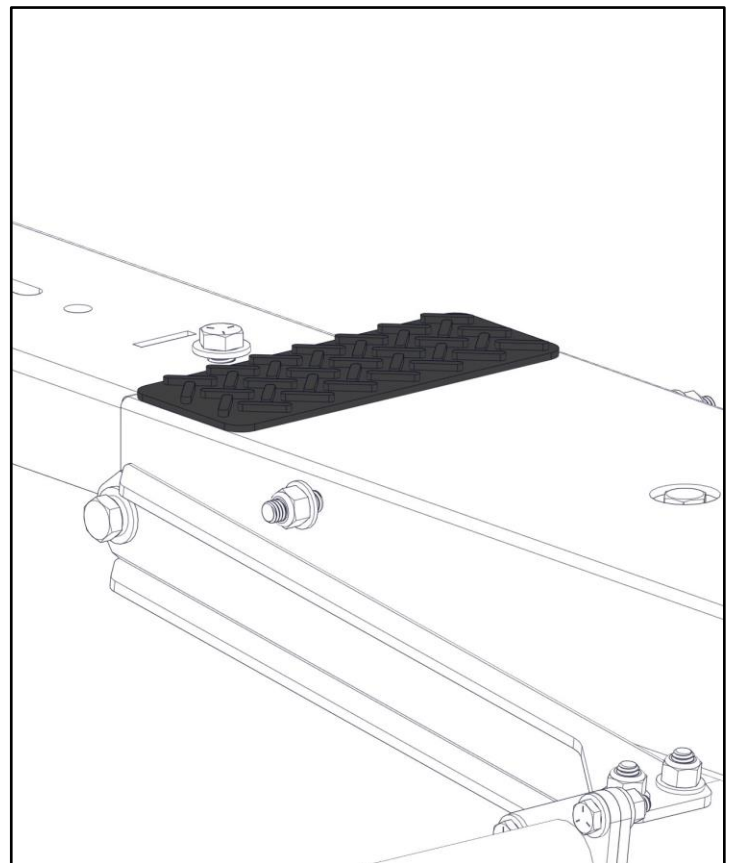
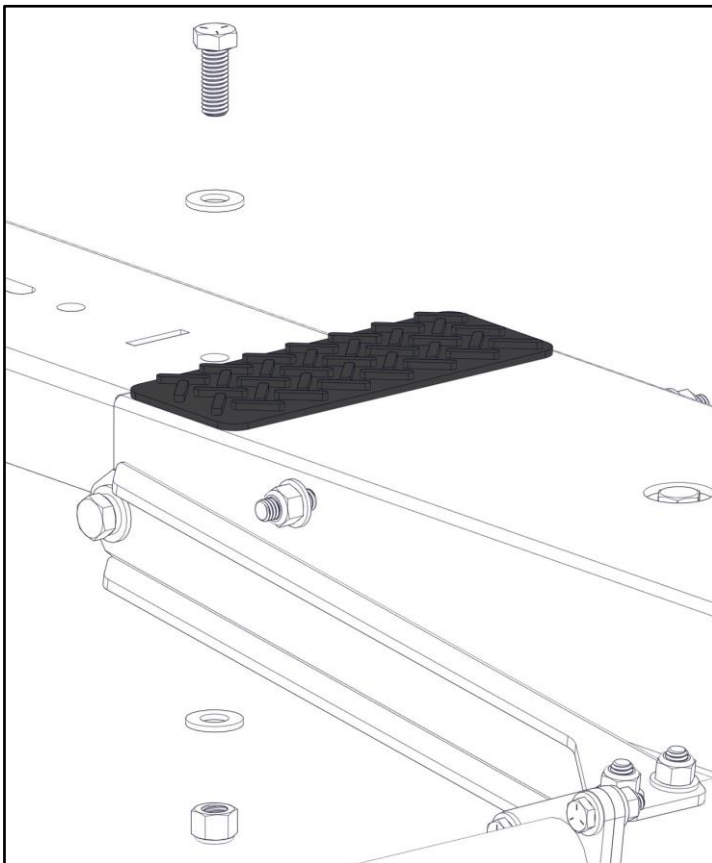
ITEM NO.	TO SCALE	PART NUMBER	DESCRIPTION	QTY.
1		90126A030	5/16" FLAT WASHER	4
2		95615A160	5/16"-18 NYLOC NUT	4
3		92865A624	3/8"-16 x 1" HEX HEAD	1
4		98023A031	3/8" FLAT WASHER	2
5		97135A230	3/8"-16 NYLOC NUT	1

Step 1 – Remove Front Bow Ladder Hook and Stop

- Remove the ladder hook from the front bow.
- Keep hardware for future use.
- Remove the ladder stop from the front bow.

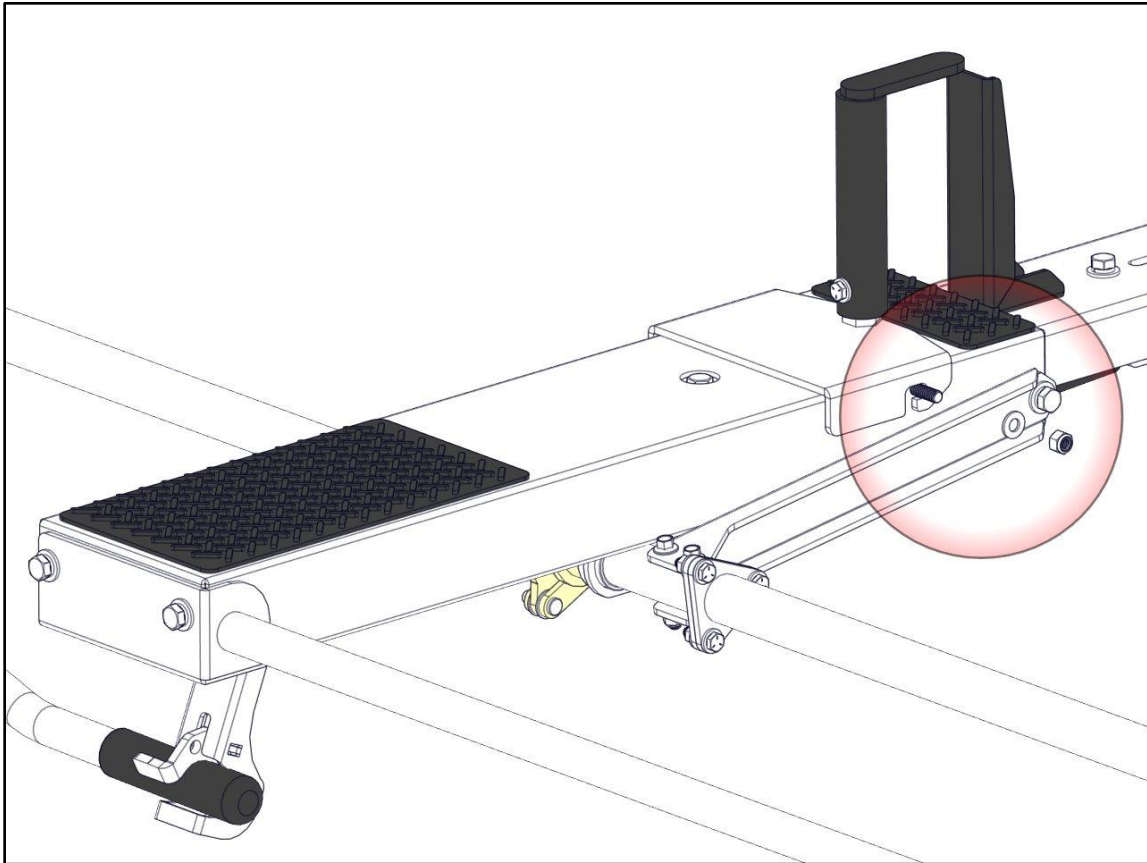


- Where the ladder stop is removed, replace hardware and tighten.



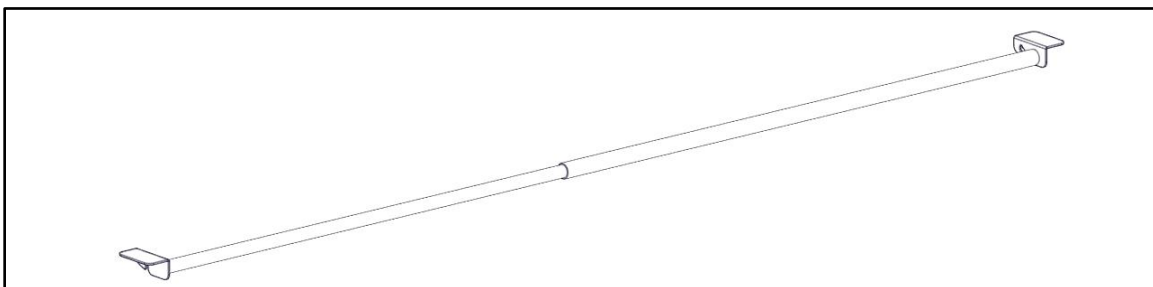
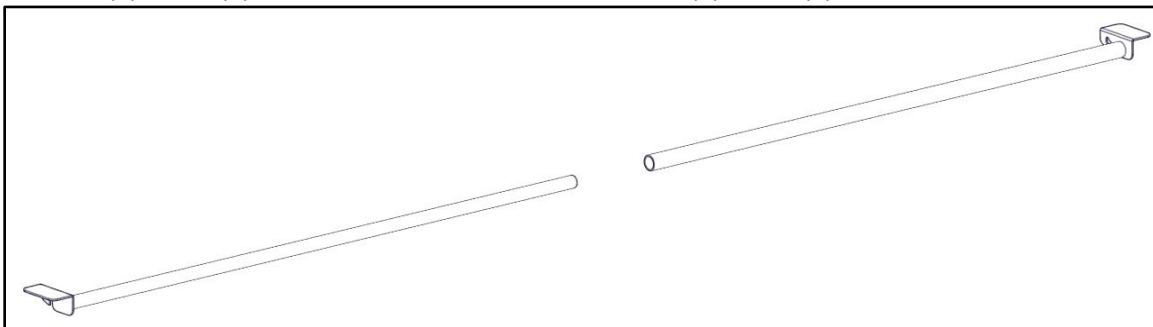
Step 2 – Remove Rear Bow Ladder Hook Hardware

- Remove the ladder hook hardware (washer and nut) from the **front** side of the rear bow only.
- Keep hardware for future use.



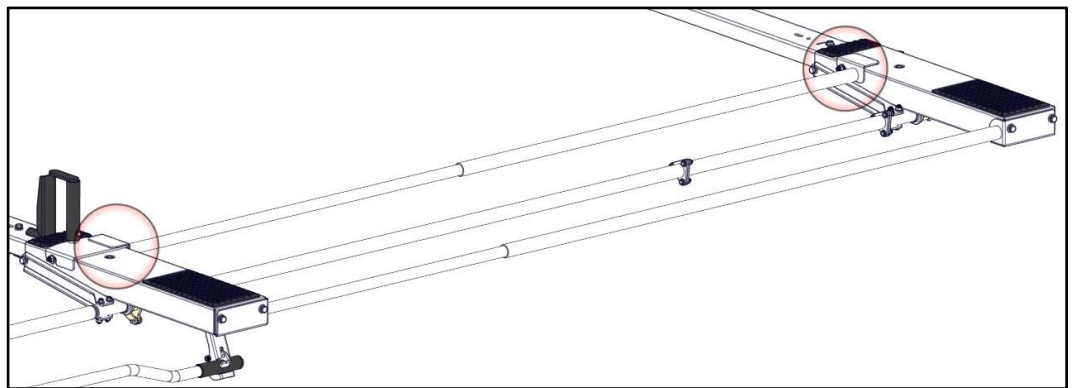
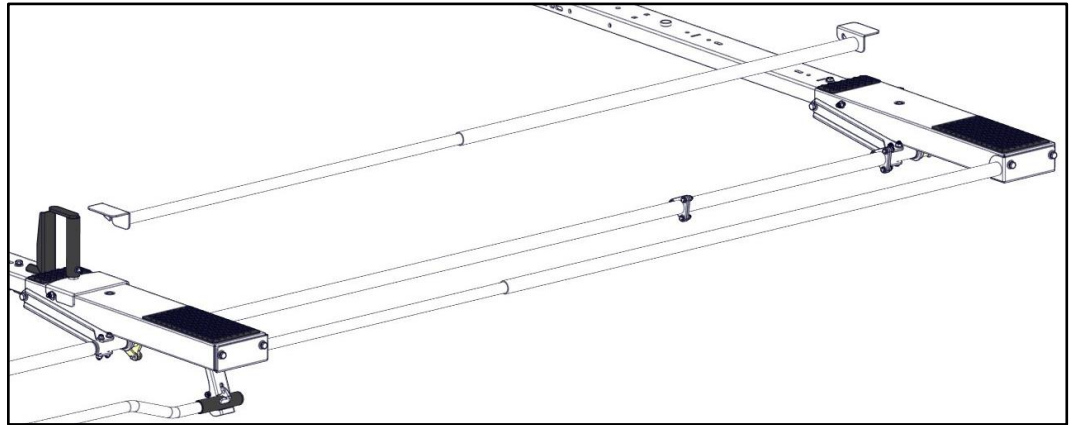
Step 3 – Assemble Upper Support Tube

- Place the upper support tube inner inside of the upper support tube outer.

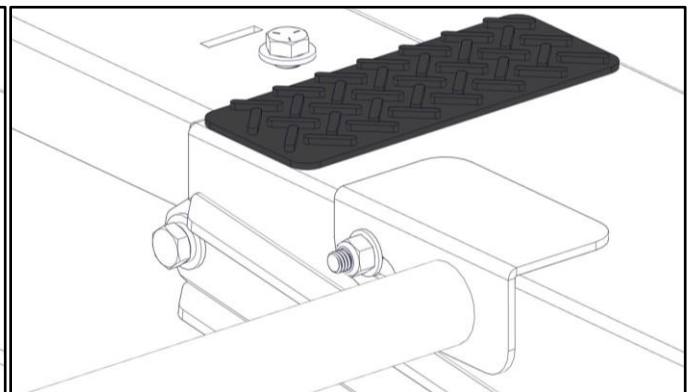
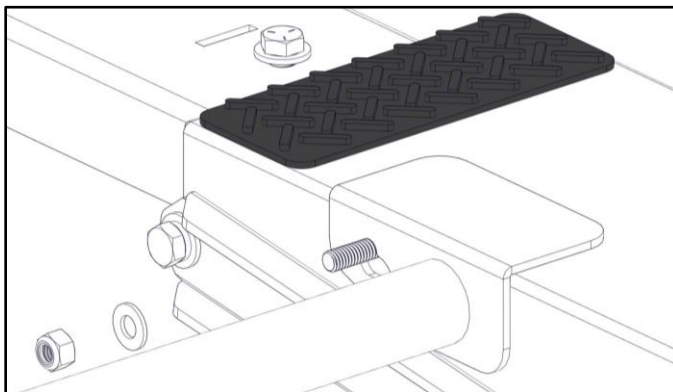


Step 4 – Install Upper Support Tube Assembly

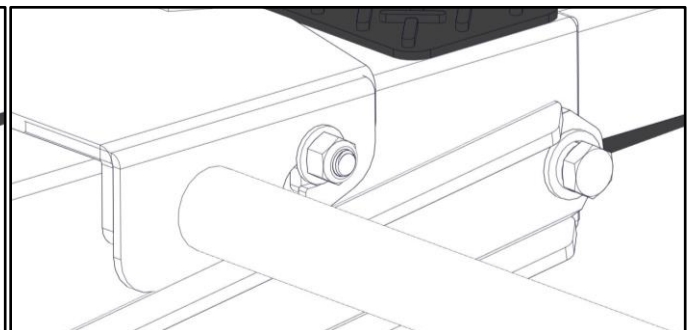
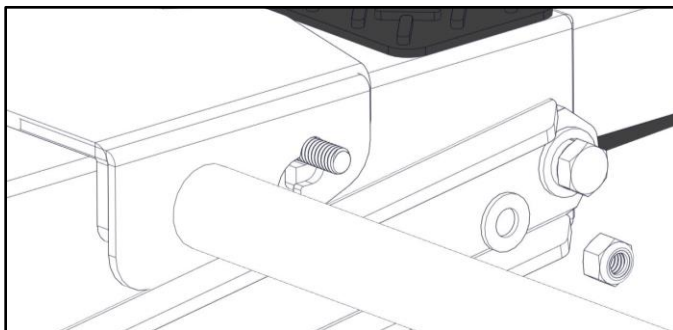
- Place upper support tube assembly where hardware was removed in the previous steps. The upper support tube assembly will sit on the exposed threaded studs.
- At the rear bow, the upper support tube assembly will sit on top of the ladder hook.
- Attach the upper support tube assembly using a 5/16" flat washer and a 5/16" nyloc nut at both locations.



Front Bow shown below

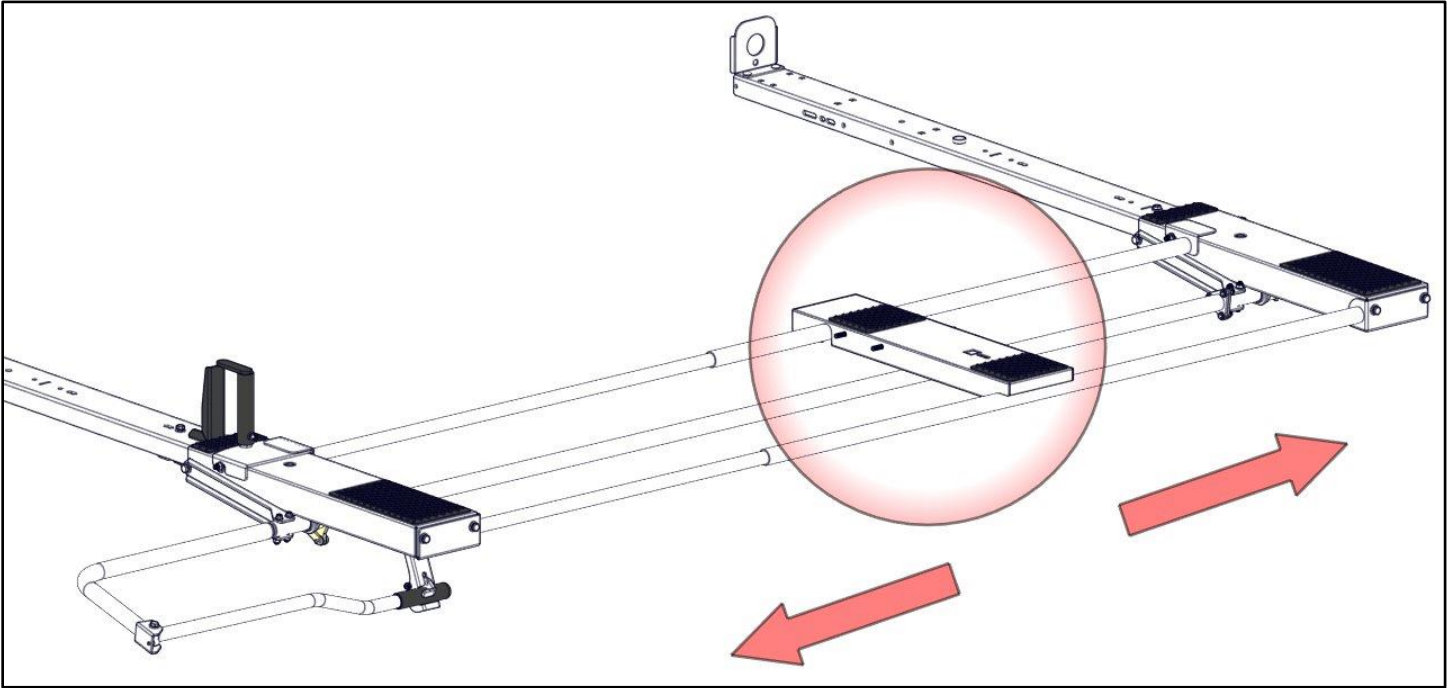


Rear Bow shown below



Step 5 – Install Extension Pan

- Determine the correct location for the extension pan based on the size of the ladder.
- Place the extension pan in the orientation shown and in the desired location on top of the already installed end tube and the upper support tube assembly installed in Step 3.

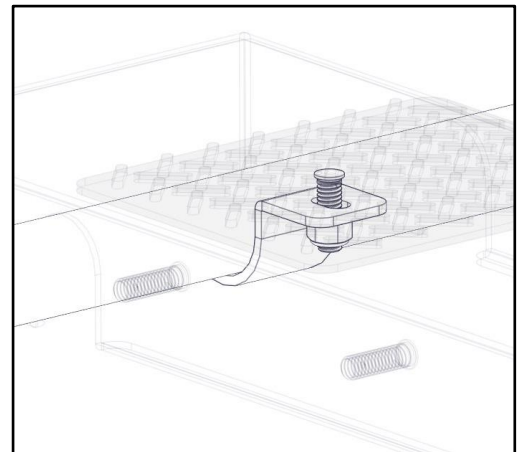
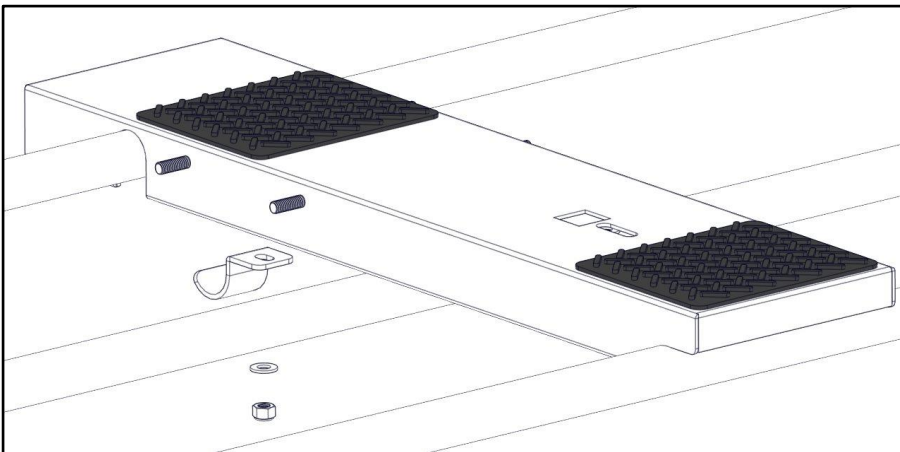




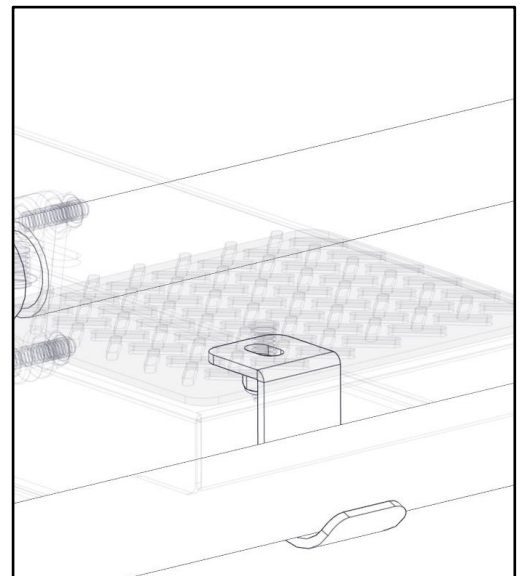
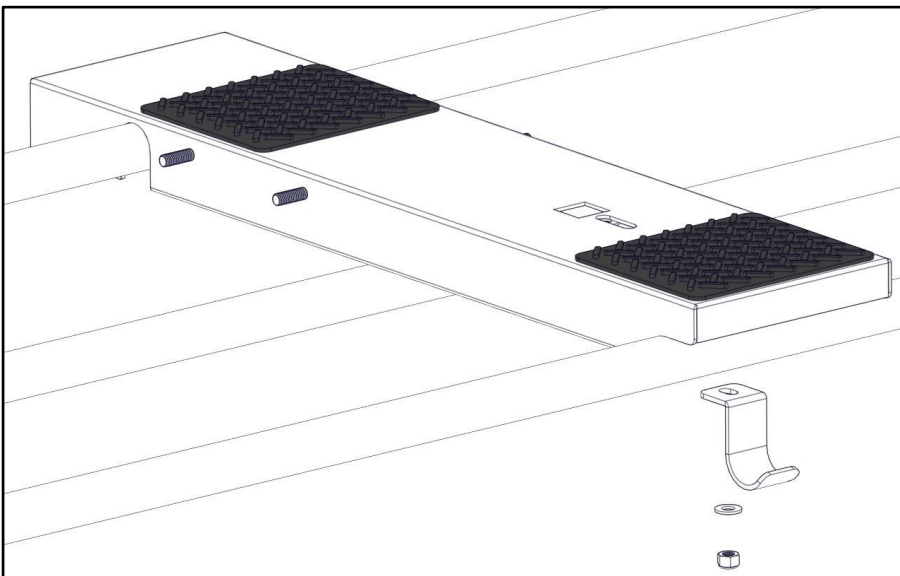
DO NOT USE AN IMPACT WRENCH TO TIGHTEN THE FOLLOWING BRACKETS



- Use the small clamp to attach the extension pan to the upper support tube assembly. Bolt into place using the pre-installed threaded stud, a 5/16" flat washer and a 5/16" nyloc nut.
- DO NOT OVER TIGHTEN, USE A RATCHET OR WRENCH TO HAND TIGHTEN.

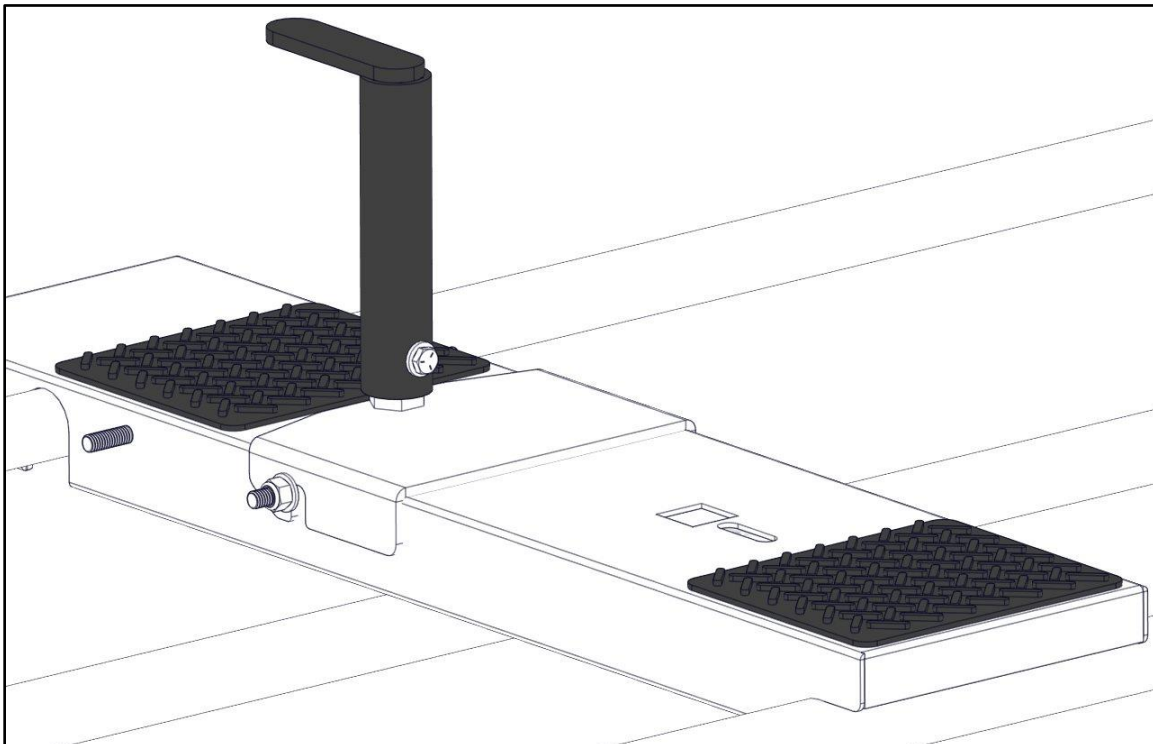
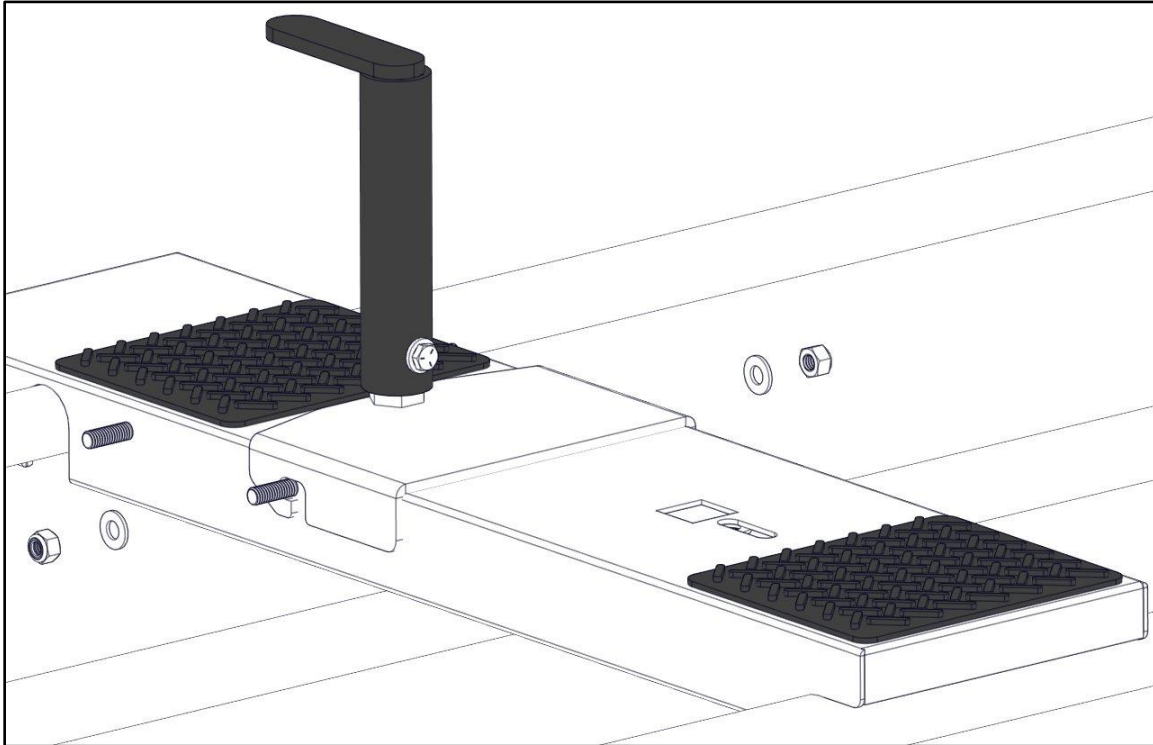


- Use the large clamp to attach the extension pan to the end tube. Bolt into place using the pre-installed threaded stud, a 5/16" flat washer and a 5/16" nyloc nut.
- DO NOT OVER TIGHTEN, USE A RATCHET OR WRENCH TO HAND TIGHTEN.



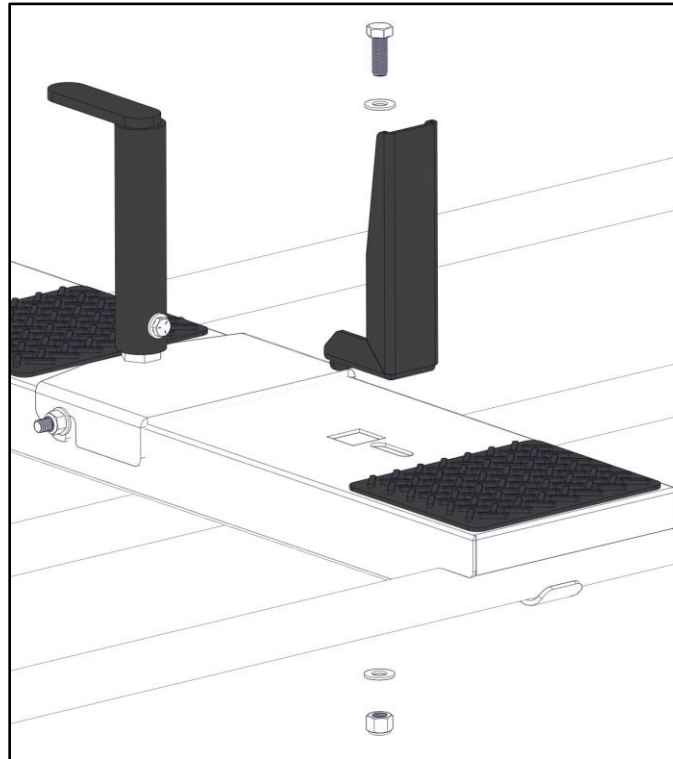
Step 6 – Install Ladder Hook

- Place the ladder hook removed in Step 1 on top of the threaded studs on the extension pan as shown.
- Attach using two 5/16" flat washers and two 5/16" nyloc nuts.

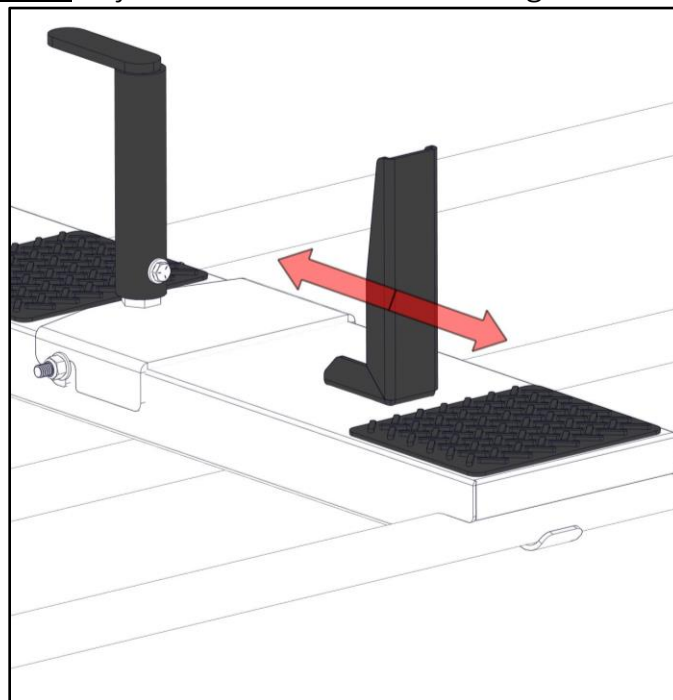


Step 7 – Install Ladder Stop

- Place the ladder stop removed in Step 1 over the slot towards the end of the pan. Line up the flange of the ladder stop inside the square cut out on the pan.
- Bolt through the slot in the pan as shown using 3/8" x 1" hex head bolt, two 3/8" flat washers and a 3/8" nyloc nut.



- The ladder stop **must be** adjusted to fit the ladder being used on the rack.



ENSURE ALL HARDWARE IS TIGHT
YOUR INSTALLATION IS NOW COMPLETE

