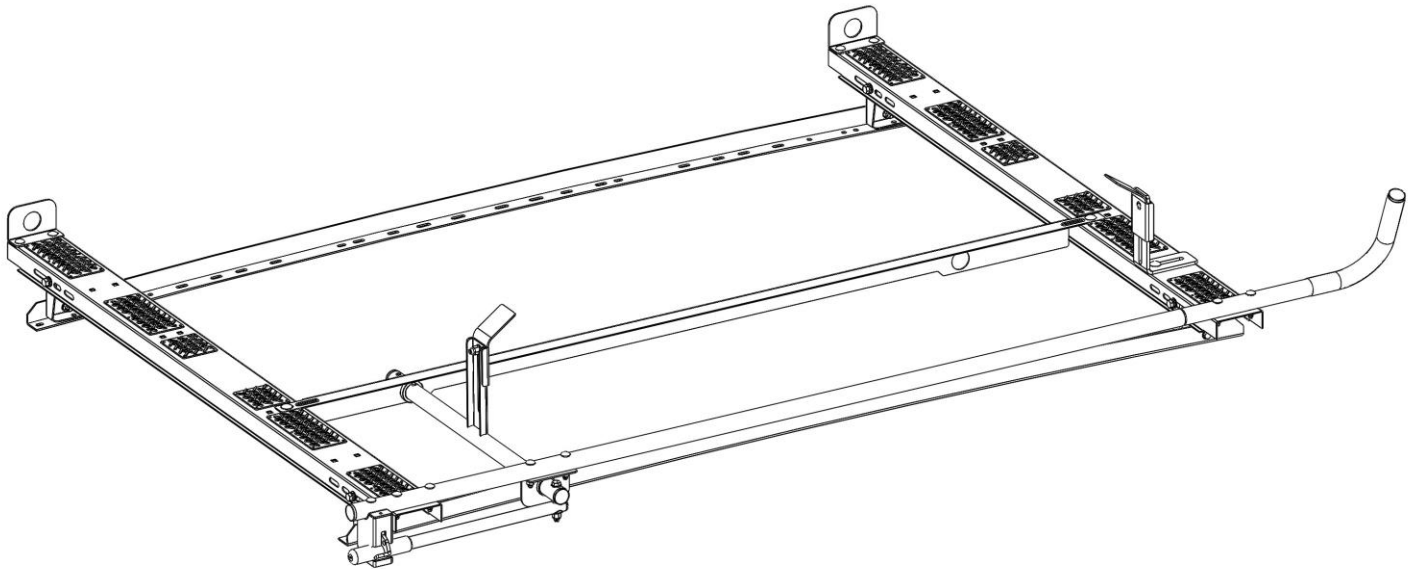


Holman

Instruction Guide 4A80L



Holman
Rancho Cordova, CA 95742
800-343-7486
InstallationSupport@Holman.com

PLEASE READ ALL INSTRUCTIONS AND WARNINGS PRIOR TO ASSEMBLING, INSTALLING, AND USING THIS PRODUCT.

Warning



Always check for wires, fuel tanks and lines, brake lines and other important vehicle functionality items prior to drilling and installing all products.

Tools Needed

13mm Socket and Wrench	10mm Socket and Wrench
5mm Allen Hex	9/16" Socket and Wrench
7/16" Socket and Wrench	1/2" Socket and Wrench

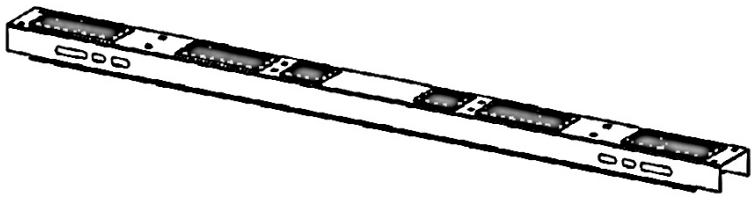

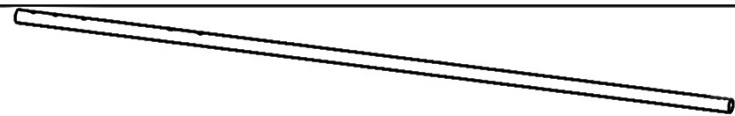
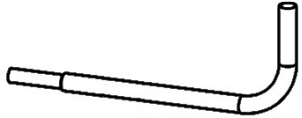


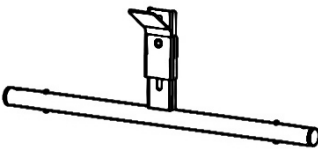

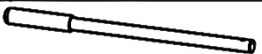



Table of Contents

Parts List.....	2
Hardware (18-4A80L-A).....	3
Hardware (18-4A80L-M).....	4
ProMaster City Installation.....	6
NV200/City Express Installation	7
Transit Connect Installation	8
Metris Rail Installation.....	9
Assembly Instructions	
Step 1 – Mount Feet to Rails	10
Step 2 – Install Feet to Bows	10
Step 3 – Install End Stops.....	11
Step 4 – Mount Side Tube	12
Step 5 – Assemble Clamp Mechanism	13
Step 6 – Mount Handle	14
Step 7 – Mount Latch.....	15
Step 8 – Mount Ladder Stop.....	15

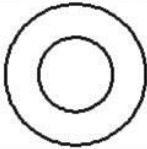

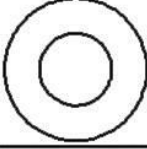
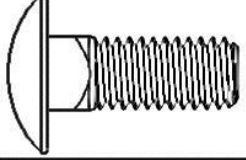
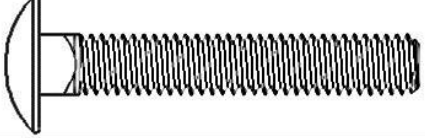
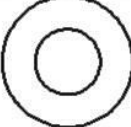


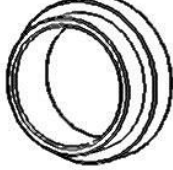
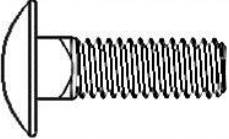
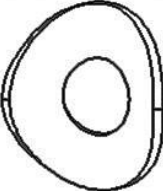
Before You Begin

- Read all instructions prior to assembling or installing any Holman product.
- Find your vehicle roof rail mounting prior to rack assembly.
- Be sure to put sealant around all threads entering cargo area and between the rubber spacer and roof of vehicle to prevent water from leaking into cargo area.
- **DO NOT EXCEED MANUFACTURERS WEIGHT CAPACITY FOR ROOF.**
- Be sure to adjust ladder clamps accordingly to secure ladder firmly to rack. To adjust, refer to Clamp and Lock adjustment guide.

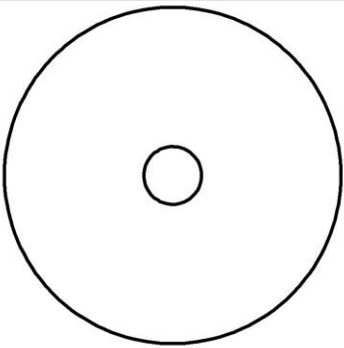
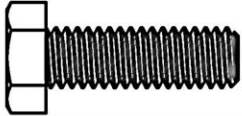
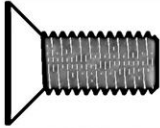
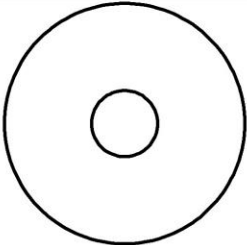

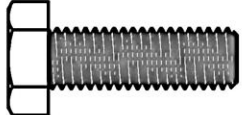

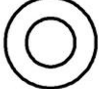
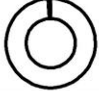
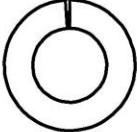
Parts List

ITEM		PART NUMBER	DESCRIPTION	QTY.
A		4A800-11	Cross Bow	2
B		4A800-00-003-R	Clamp and Lock L Bracket	1
C		4A800-51	Side Tube	1
D		4A800-52-R	Side Hook	1
E		4A900-10-008	End Stop	2
F		11-03027A	Angle BRK	1
G		4A800-30	Clamp Tube	1
H		4A800-20	Latch Assy.	1
J		4A800-40	Handle	1
K		4A800-60	Ladder Stop Assembly	1
L		4A800-00-002	Mounting Rail	2
M		4A800-10	Foot	4
		18-4A80L-A	Assembly Hardware	1
		18-4A80L-M	Mounting Hardware	1

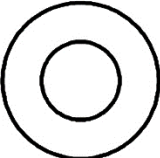
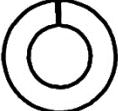
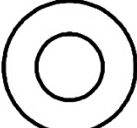

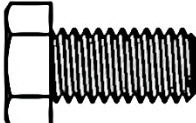

Hardware (18-4A80L-A)

NO.	HARDWARE TO SCALE	PART NUMBER	DESCRIPTION	QTY.
1		90295A470	3/8" Nylon Washer	1
2		97135A230	3/8"-16 Nyloc Nut	5
3		98023A031	3/8" Flat Washer	5
4		90185A624	3/8"-16 x 1" Carriage Bolt	4
5		90185A591	5/16"-18 x 2" Carriage Bolt	7
6		90126A030	5/16" Flat Washer	11
7		95615A160	5/16"-18 Nyloc	11
8		91247A636	3/8"-16 x 3" Hex Head	1
9		40800-10-007	Nylon Bushing Scale 1:2	2
10		90185A583	5/16"-18 x 1" Carriage Bolt	4
11		91844A370	3/8" Contour Washer	1

Hardware (18-4A80L-M)

ITEM NO.	TO SCALE	PART NUMBER	DESCRIPTION	QTY.
1		.125x.312x1.75 Rubber Washer	Rubber Washer	6
2		92240A583	5/16"-18 x 1" Hex Head	4
3		92125A284	M8 x 20mm Flat Head	4
4		91090A111	M8 Fender Washer	4
5		90576A117	M8x1.25 Nyloc	4
6		91280A534	M8 x 25mm Hex Head	4
7			M6x1 x 22mm HH	6
8		90126A029	1/4" Flat Washer	6
9		91102A750	1/4" Lock Washer	6
10		92146A031	3/8" Split Lock Washer	8

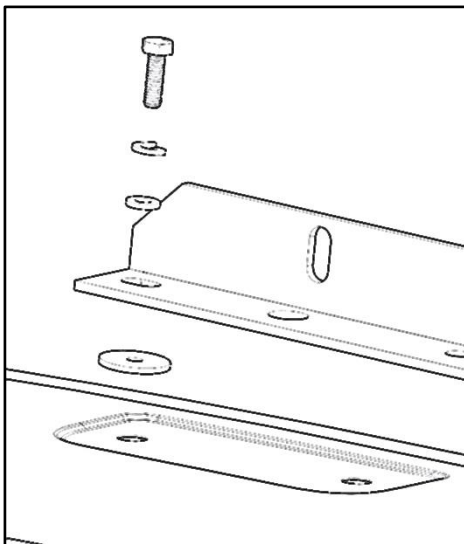
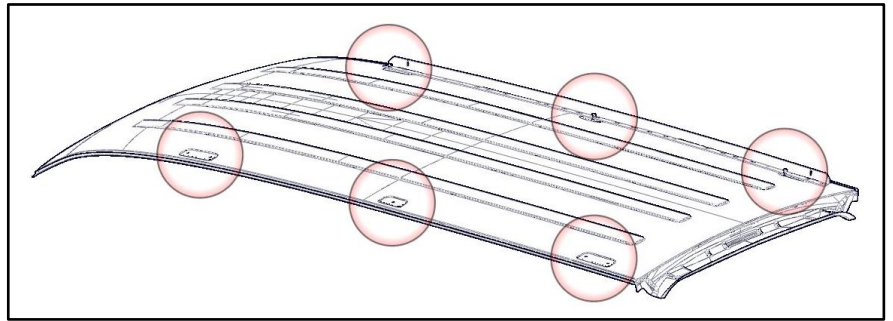
Hardware (18-4A80L-M) (Continued)

ITEM NO.	TO SCALE	PART NUMBER	DESCRIPTION	QTY.
11		96659A108	3/8" Flat Washer	8
12		91102A755	5/16" Lock Washer	12
13		96659A107	5/16" Flat Washer	12
14		91831A030	5/16" Nyloc Nut	4
15		92240A622	3/8" x 3/4" Hex Head	8
16		BH-821	Sealant	1

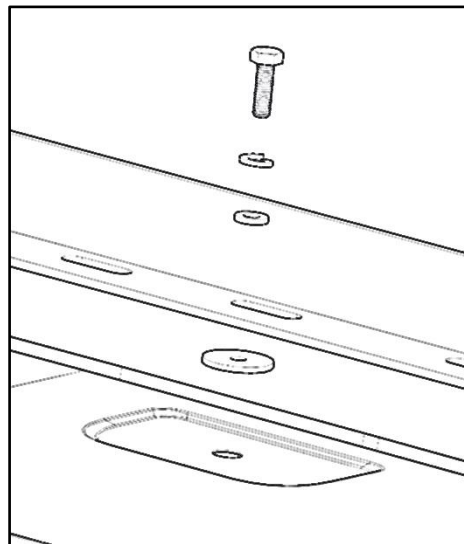
DO NOT EXCEED MANUFACTURERS WEIGHT CAPACITY FOR ROOF

ProMaster City Installation

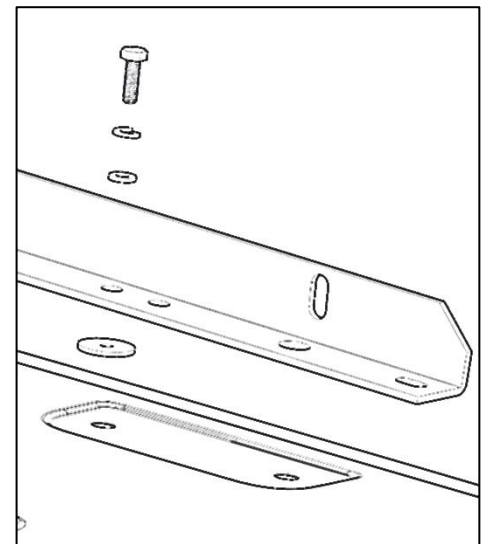
- Locate 6 mounting locations shown on roof of van.
- Install mounting rail as shown using M6 x 22mm bolts with 1/4" lock washers and 1/4" flat washers.
- In most installs, the rail upright is to the outside of the van.
- Be sure to put rubber washer between the mounting rail and the roof to ensure sealing.
- Place sealant on and around threads to seal roof. (Passenger side shown)



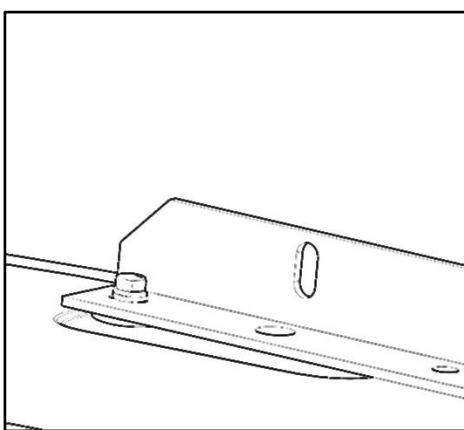
FRONT EXPLODED



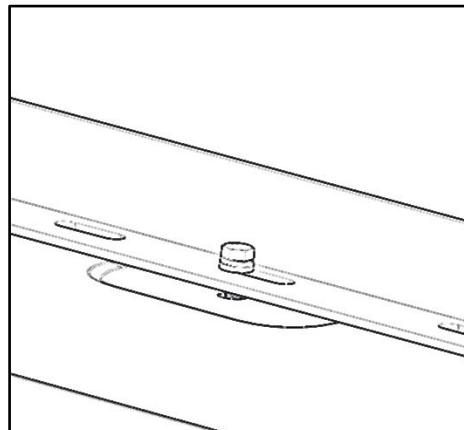
MID EXPLODED



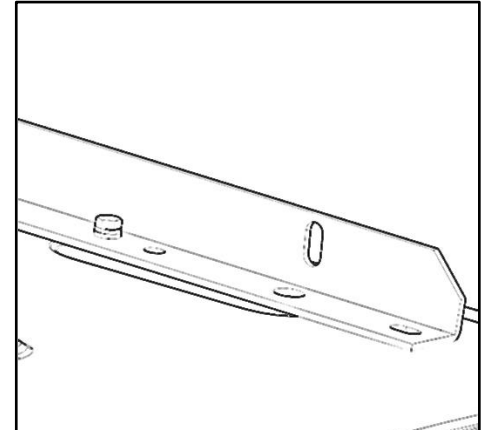
REAR EXPLODED



FRONT TIGHTENED



MID TIGHTENED

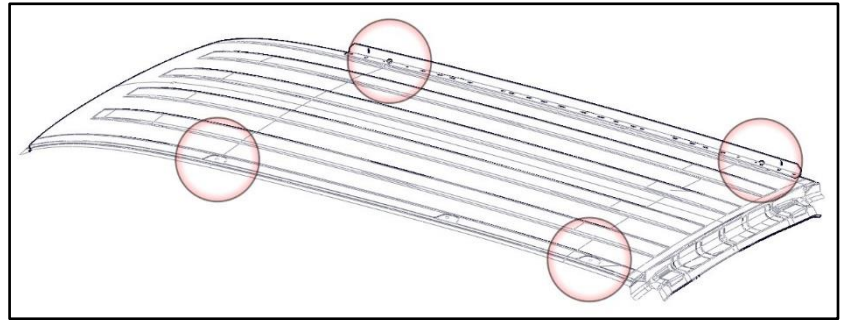


REAR TIGHTENED

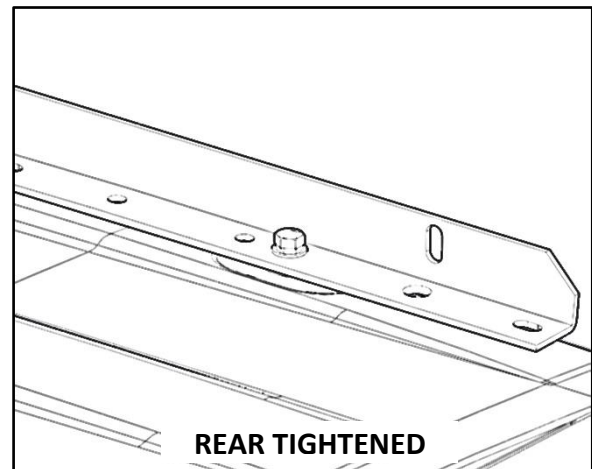
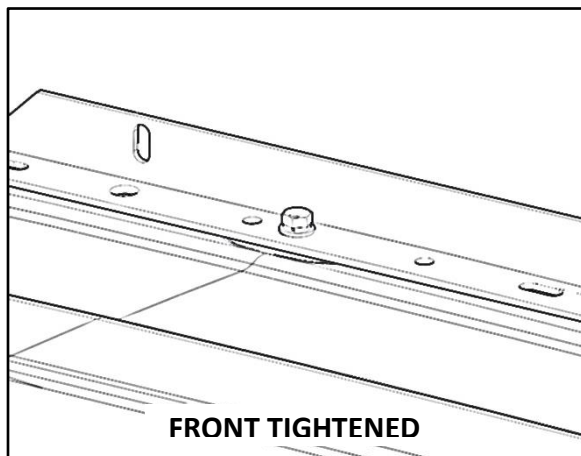
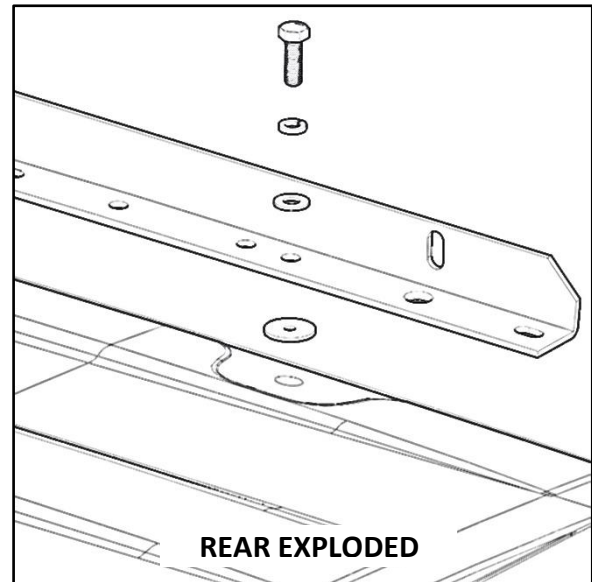
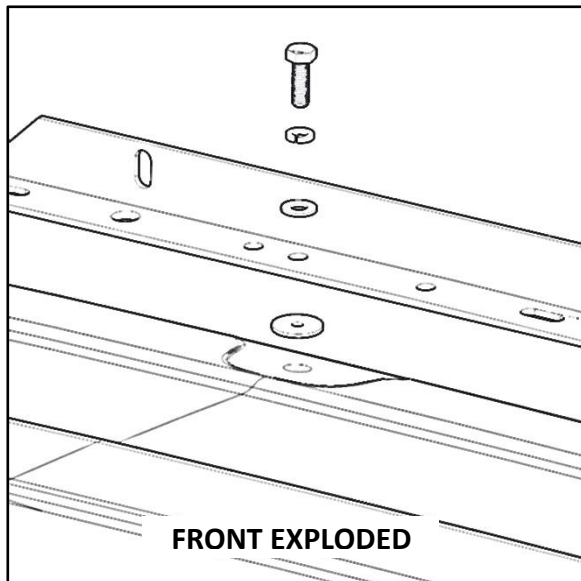
DO NOT EXCEED MANUFACTURERS WEIGHT CAPACITY FOR ROOF

NV200/City Express Installation

- Locate 4 mounting locations shown on roof of van.
- Install mounting rail as shown using M8 x 25mm bolts with 5/16" lock washers and 5/16" flat washers.
- In most installs, the rail upright is to the outside of the van.
- Mount rail so there is about 1" from the rear door opening.
- Be sure to put rubber washer between the mounting rail and the roof to ensure sealing.
- Place sealant on and around threads to seal roof. (Passenger side shown)



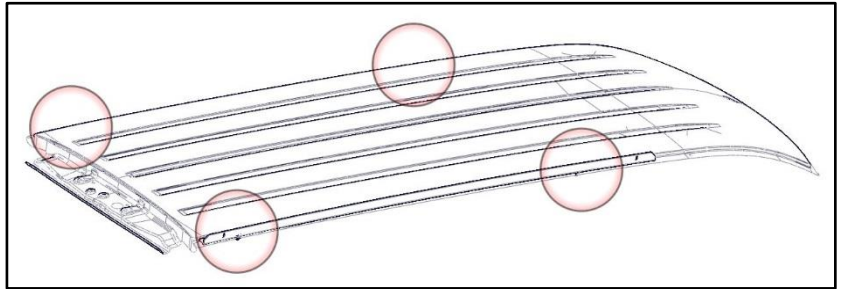
Note: Additional M8 x 20mm flat head screws are provided if mounting feet interfere with bolts.



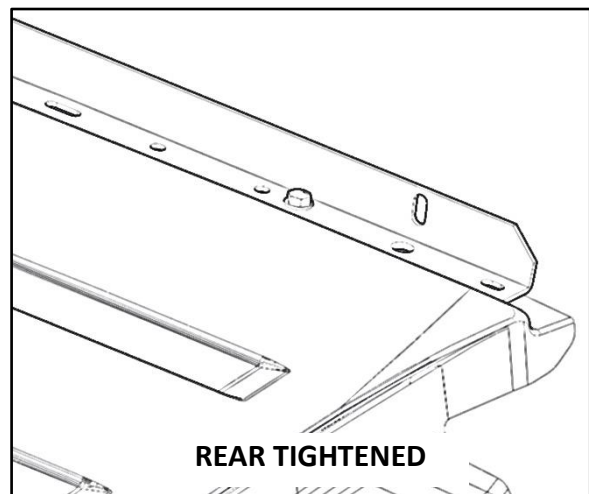
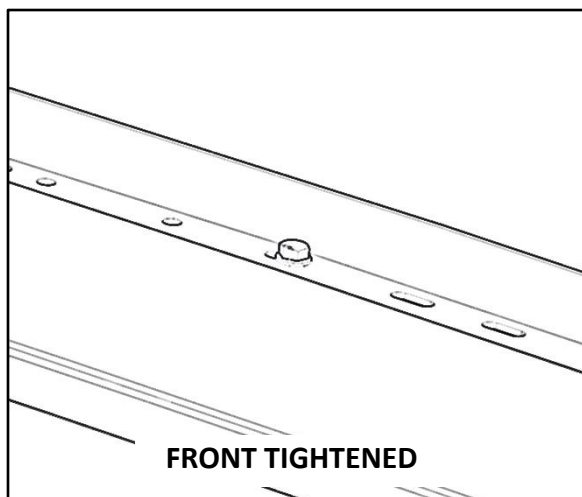
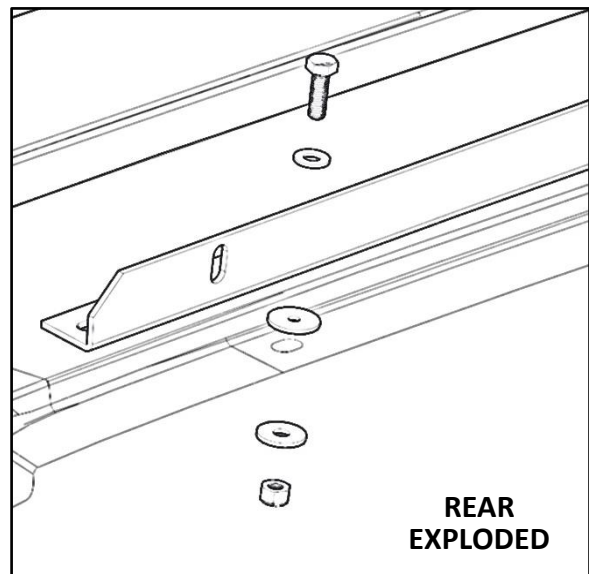
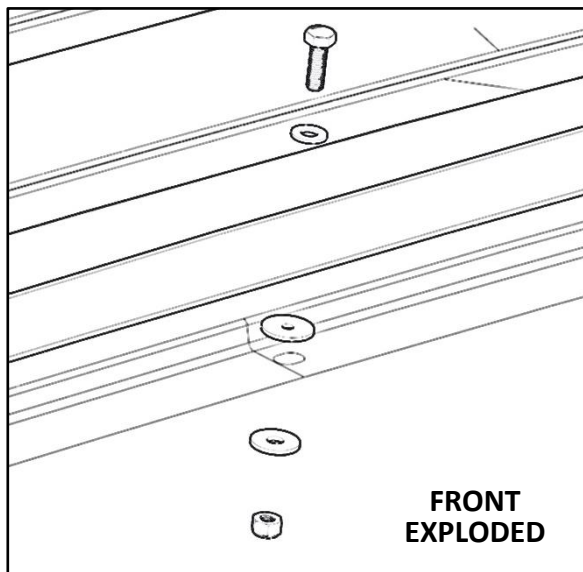
DO NOT EXCEED MANUFACTURERS WEIGHT CAPACITY FOR ROOF

Transit Connect Installation

- Locate 4 mounting locations shown on roof of van.
- Be sure to put rubber washer between the mounting rail and the roof to ensure sealing.
- In most installs, the rail upright is to the outside of the van.
- Mount rail so there is about 1" from the rear door opening.
- Install mounting rail as shown using M8 x 25mm bolts and 5/16" flat washers on the outside. Use the fender washer and M8 lock nut on the inside of the van.
- Place sealant on and around threads to seal roof. (Passenger side shown)



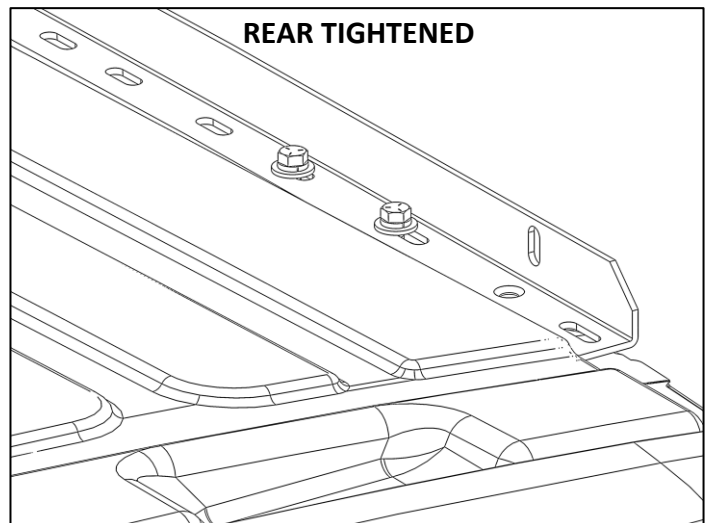
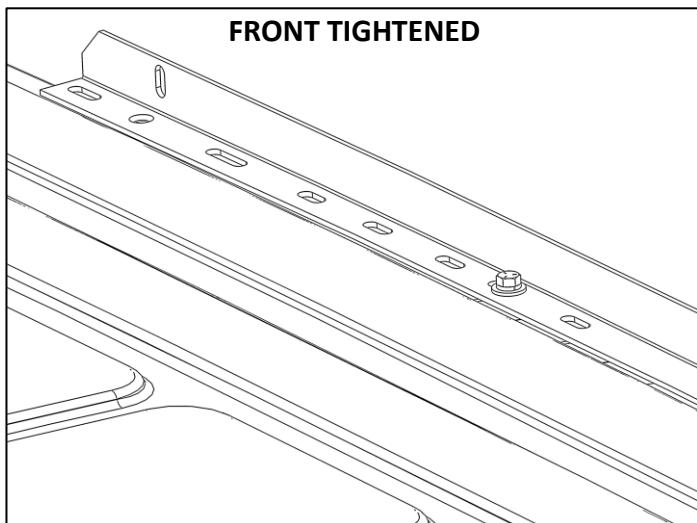
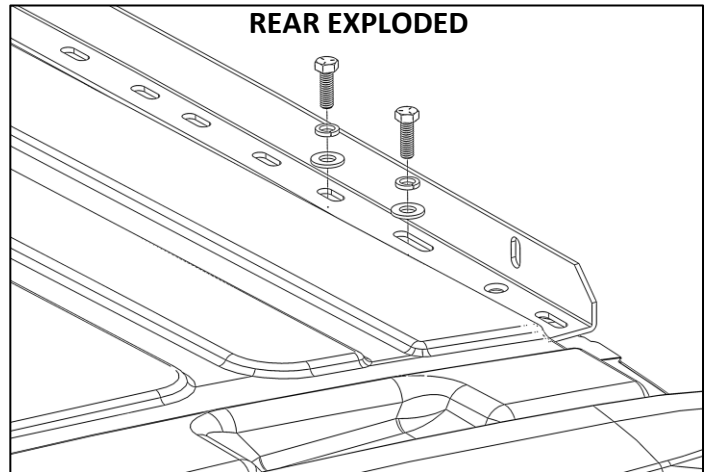
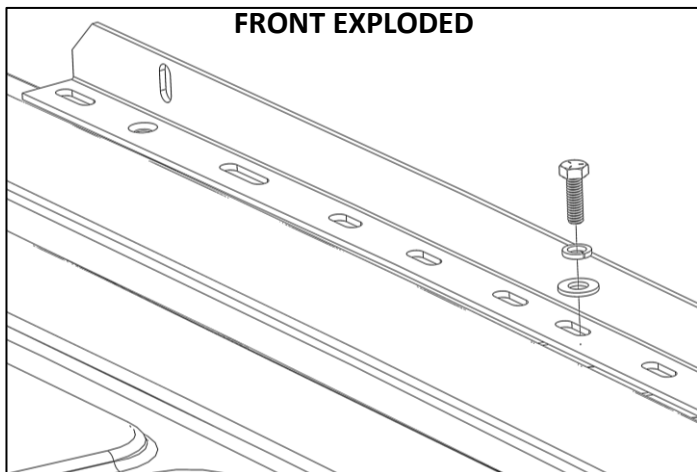
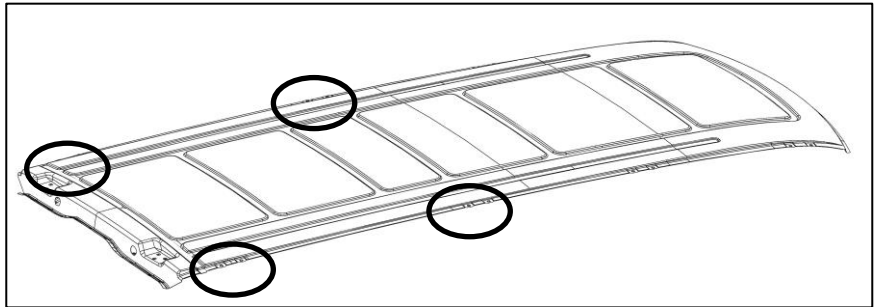
Note: Additional M8 x 20mm flat head screws are provided if mounting feet interferes with bolts.



DO NOT EXCEED MANUFACTURERS WEIGHT CAPACITY FOR ROOF

Metris Rail Installation

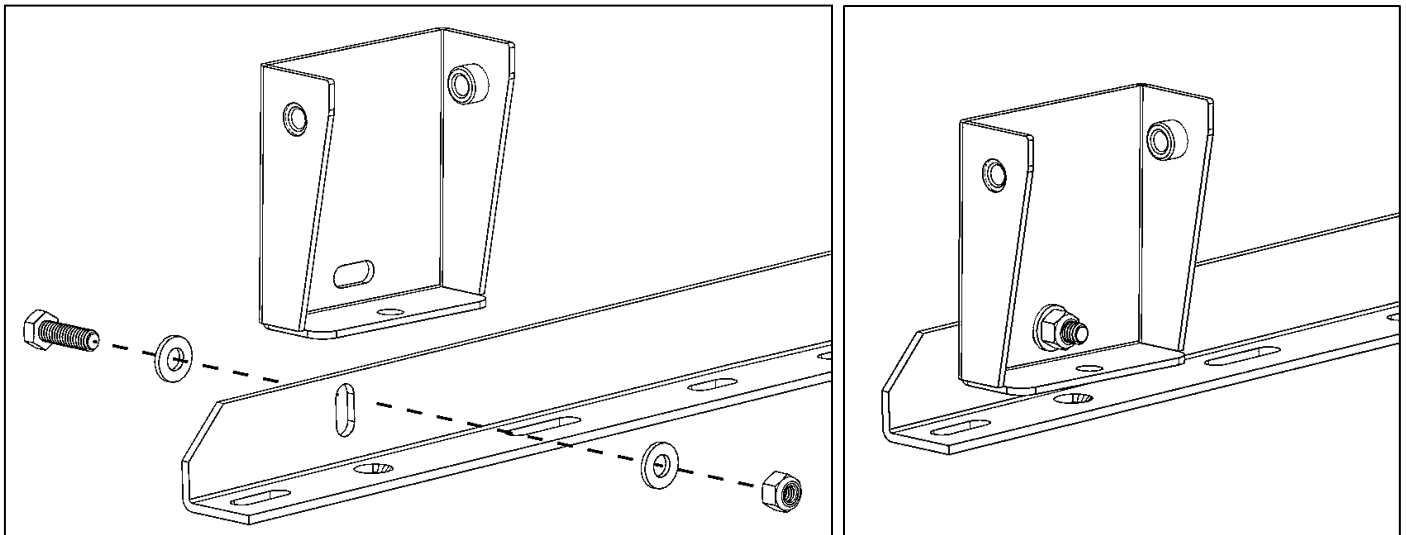
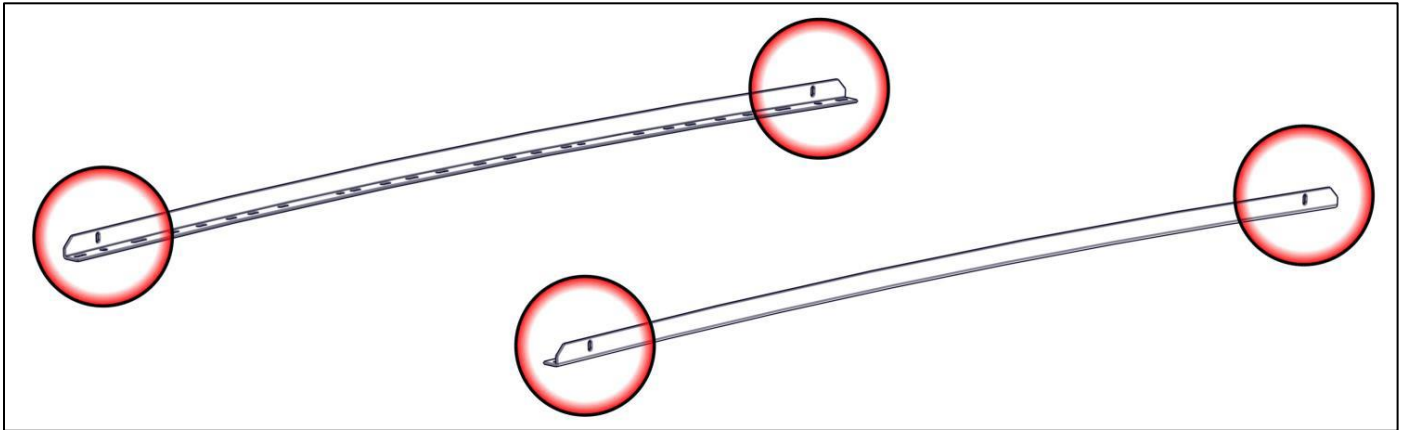
- Locate 6 mount locations on van roof, 4 rear and 2 mid-roof, as shown.
- Remove plastic cap in these locations indicated to expose threads in the roof.
- Place the rail on the roof so the holes align with the threaded holes in roof and with approximately 5" between the rear of the rail and the rear door opening. In most installs, the rail upright flange is to the outside of the van.
- Insert rubber washer between the mounting rail and the roof to ensure sealing.
- Apply sealant on and around threaded holes and bolt threads to seal roof. (Passenger side shown)
- Install mounting rail as shown using M6 x 22mm bolts, 1/4" lock washers, and 1/4" flat washers on the outside. Be sure to apply sealant around bolts as you fasten them.



Assembly Instructions

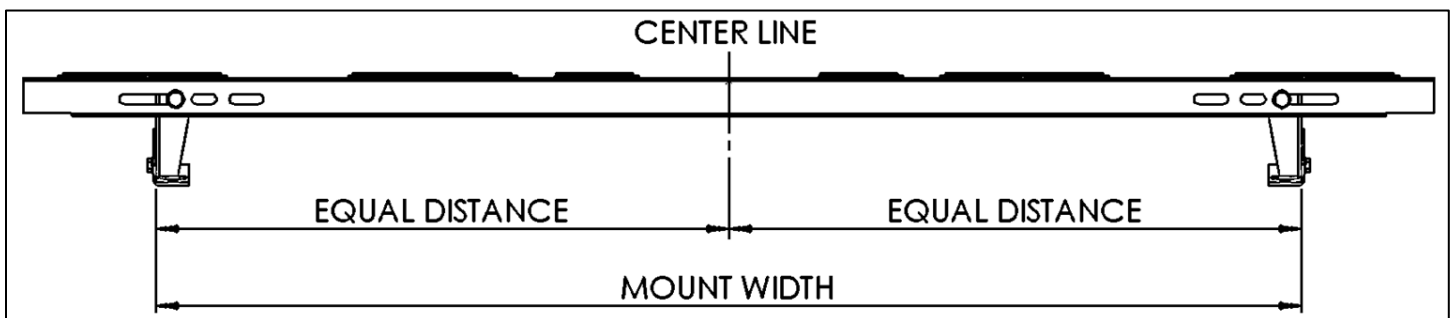
Step 1 – Mount Feet to Rails

- Place both bows on top of installed rails. Bolt feet to rails using 5/16" x 1" hex head, two 5/16" flat washers and a 5/16" lock nut.
- Typically, the end stops go on the driver side of vehicle.
- Snug tighten, but allow movement.

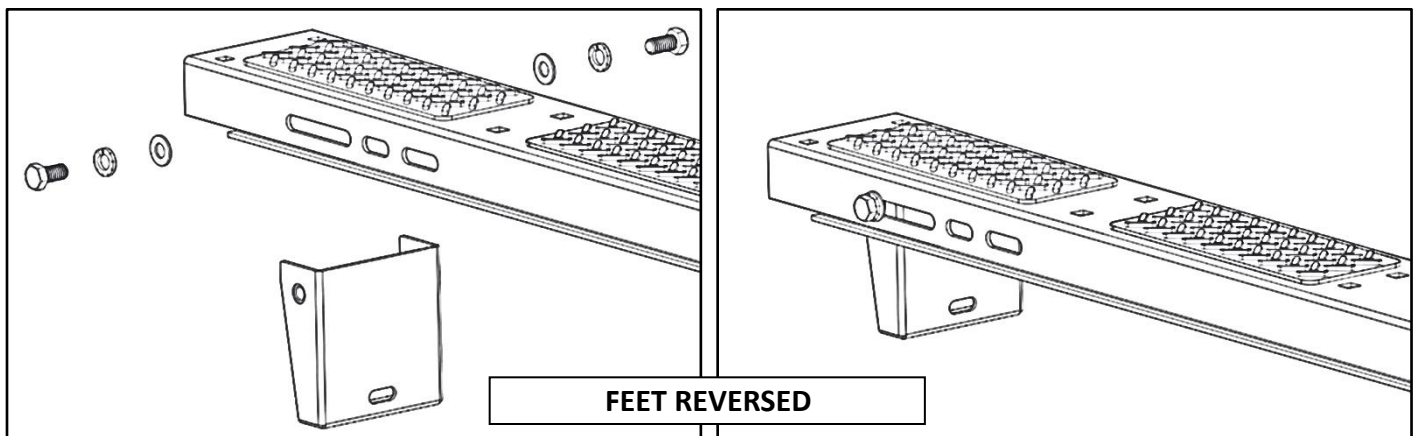
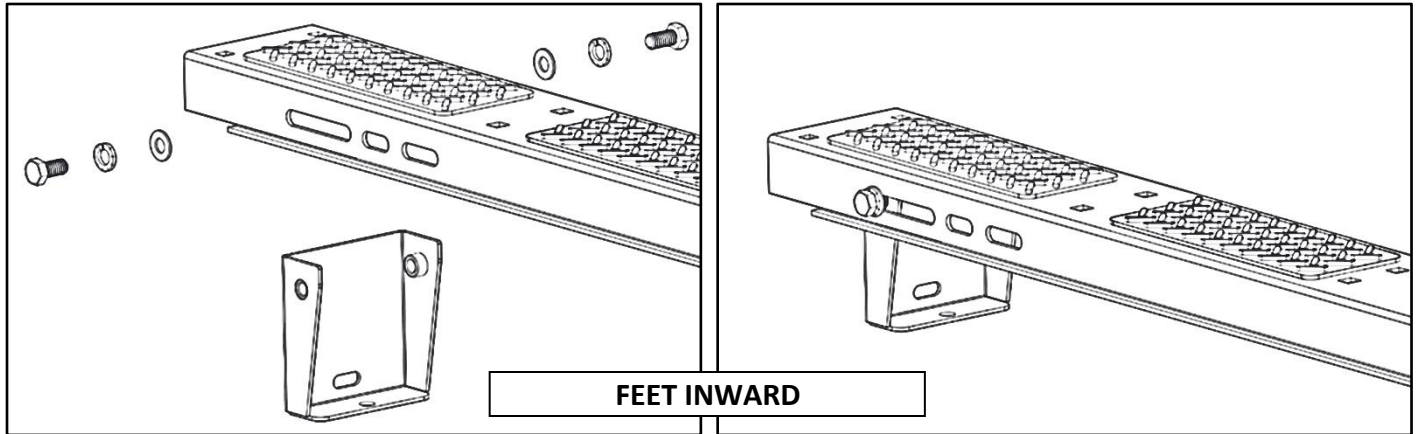


Step 2 – Install Feet to Bows

- Place the bows and center on top of the previously installed feet. The same slot should be used at both ends of the bows.



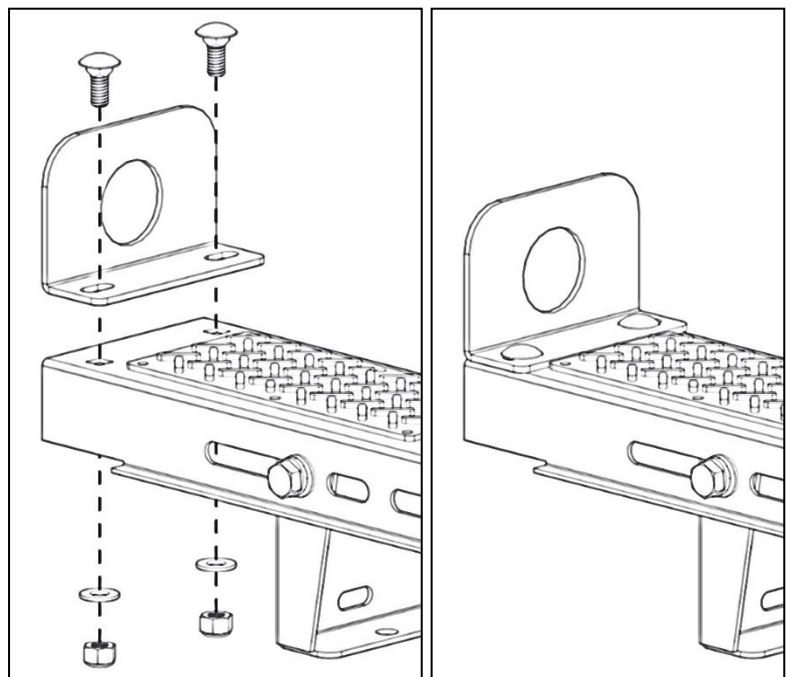
- Use a 3/8" x 3/4" hex head bolt, 3/8" lock washers and a 3/8" flat washer to bolt foot to cross member.
- DO NOT TIGHTEN at this point.
- Feet can be installed as shown below or reverse depending on how you mounted the rail.
- Snug tighten, but allow movement.



Step 3 – Install End Stops

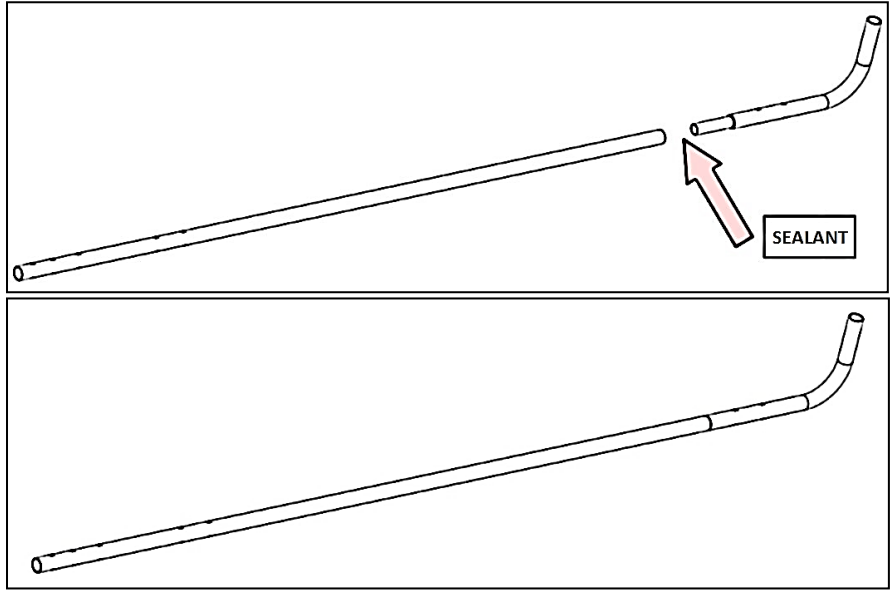
NOTE: Skip installing the end stops if adding 4A81L.

- Use two 5/16" carriage bolts, 5/16" washers and a 5/16" lock nuts to bolt end stops to one end of each bow, opposite to clamping mechanism.
- TIGHTEN.

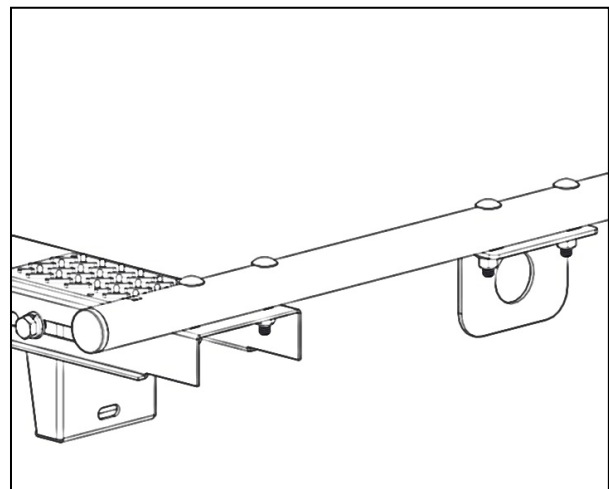
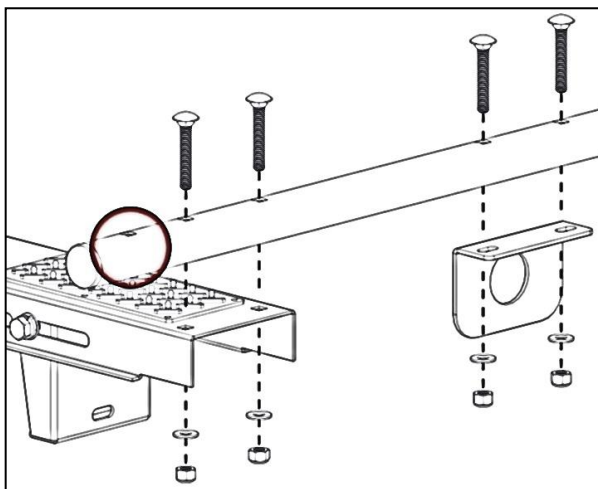
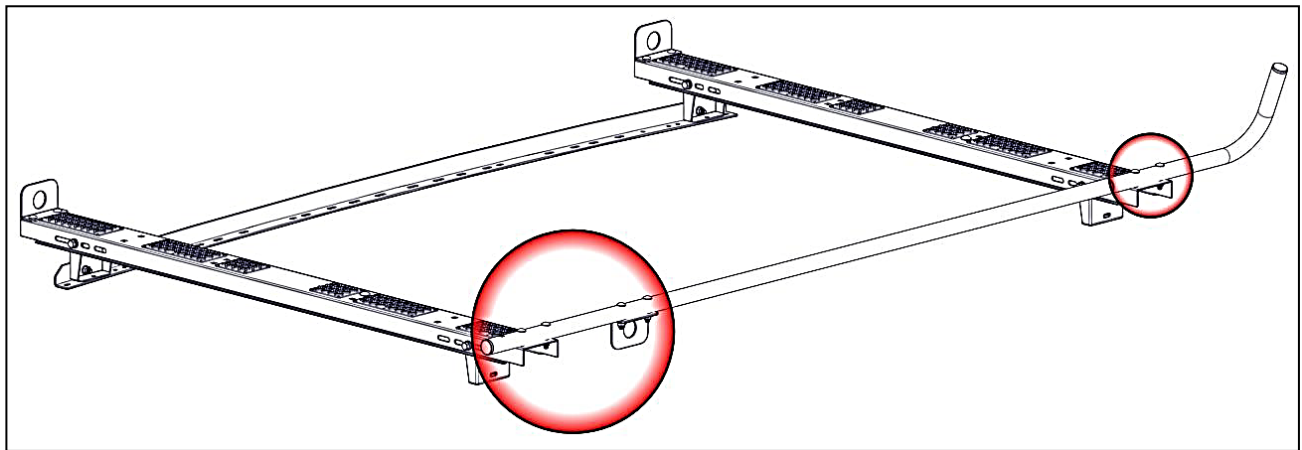


Step 4 – Mount Side Tube

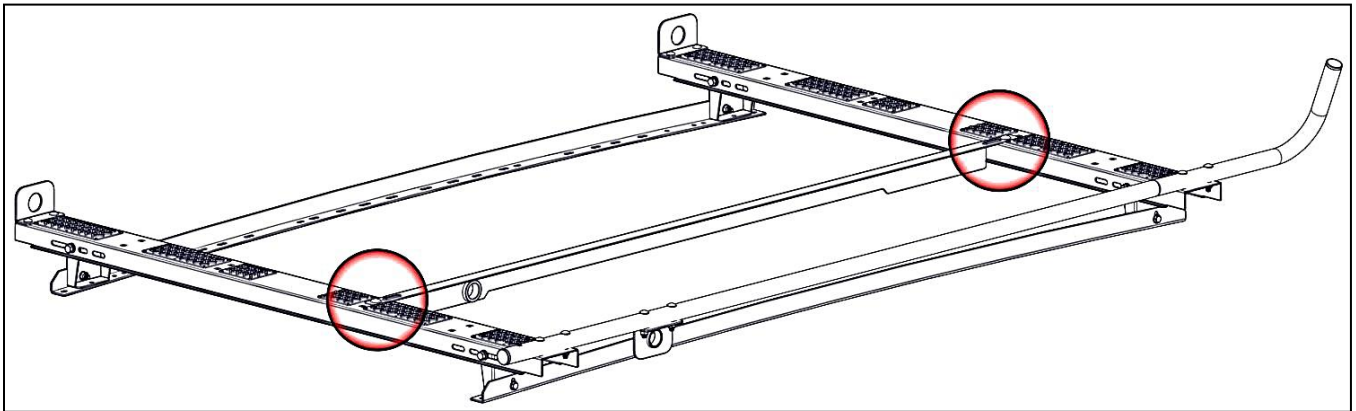
- Assemble the side tube.
- Place sealant around the connection of the two tubes.
- While still malleable, place the side tube assembly on top of the installed bows. Have the bend towards the front and outside of the vehicle as shown.



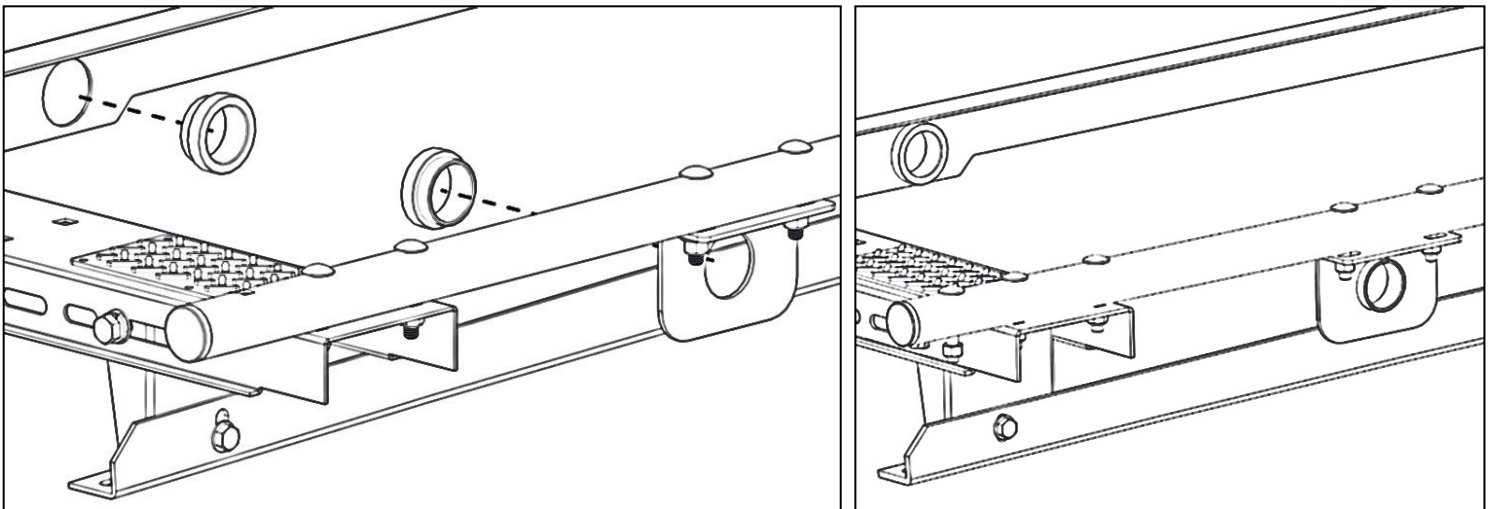
- Mount angle bracket at the rear of the tube as shown. Leave one square slot open at rear of side tube.
- Bolt angle bracket to the front and rear bow using 5/16" x 2" carriage bolt, a 5/16" flat washer and a 5/16" lock nut.
- Snug tighten, but allow movement.



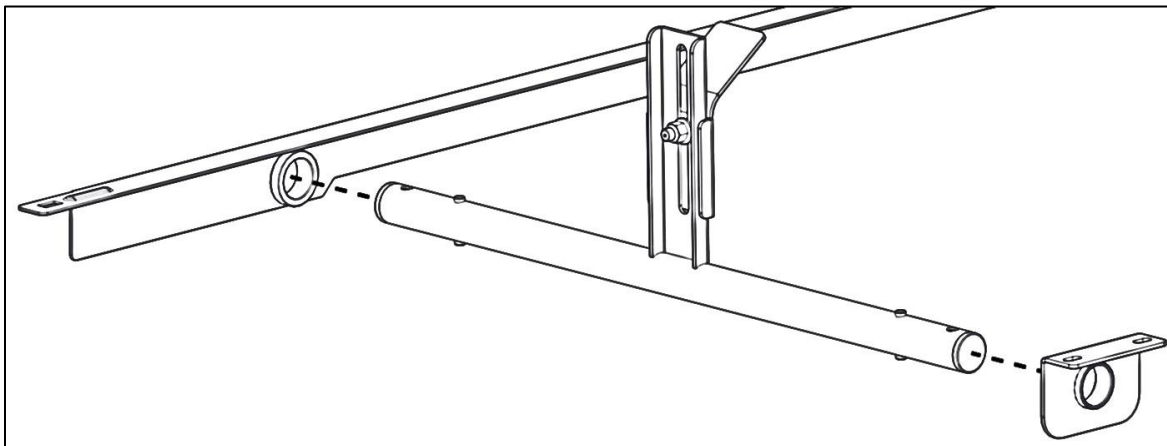
Step 5 – Assemble Clamp Mechanism



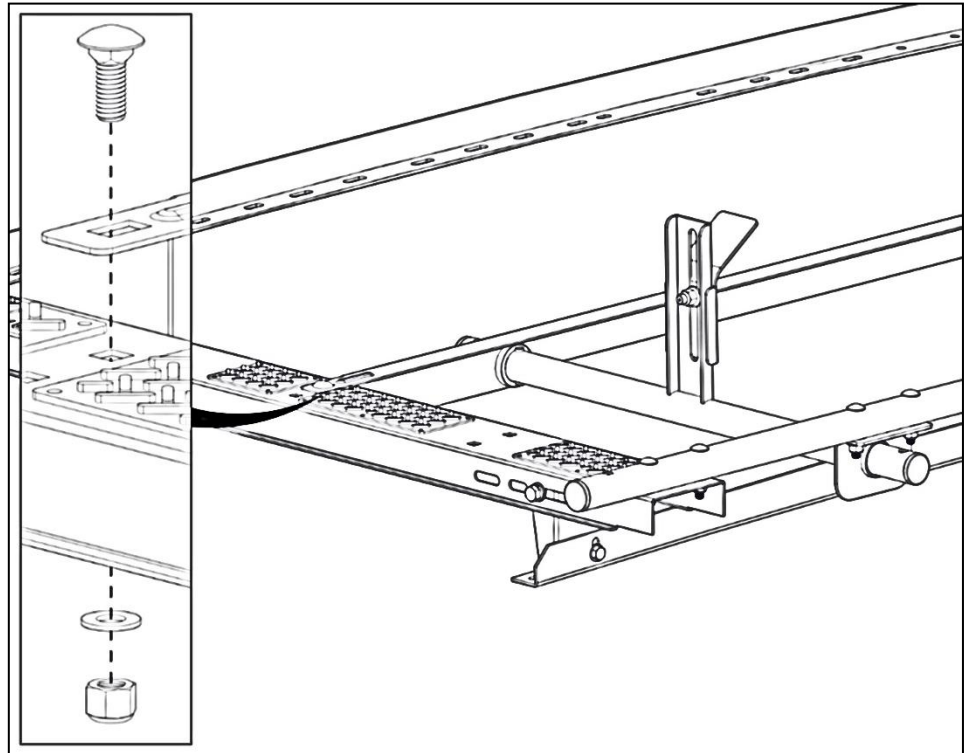
- Place the angle bracket on top of the installed bows with the long flange towards the center of the vehicle. Do NOT install any hardware.
- Insert plastic bushings into the angle bracket and the ladder stop installed in Step 4, with the large flanges of the bushings towards each other and to the inside of the brackets as shown.



- Insert the clamp tube into the previously installed bushings in the orientation shown.

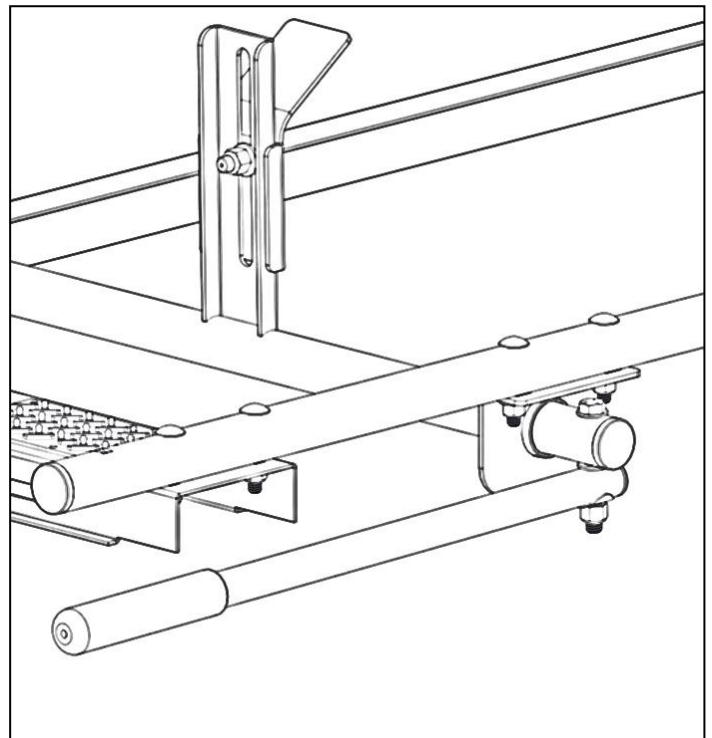
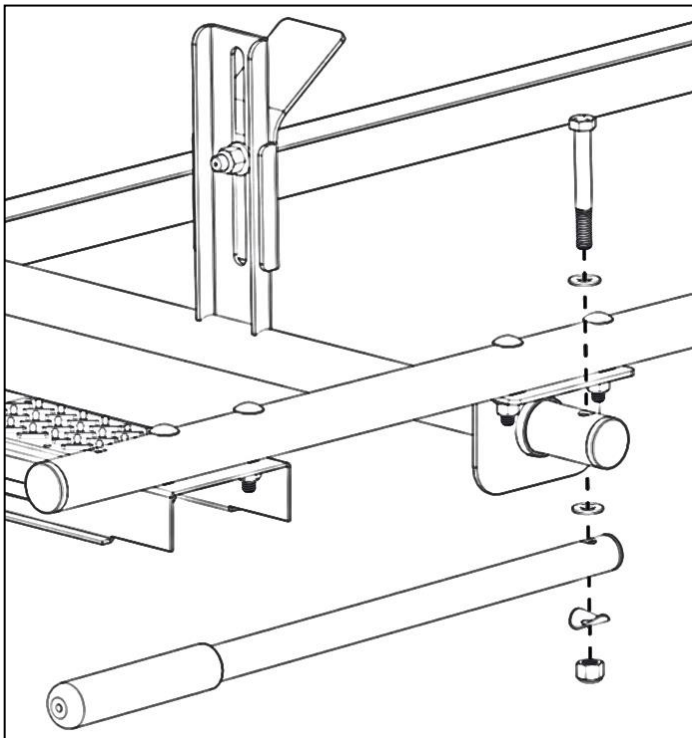


- Bolt the angle bracket to the front and rear bow using 3/8" x 1" carriage bolts, 3/8" flat washers and a 3/8" lock nuts as shown.
- Be sure the bushings CANNOT come out.
- TIGHTEN.



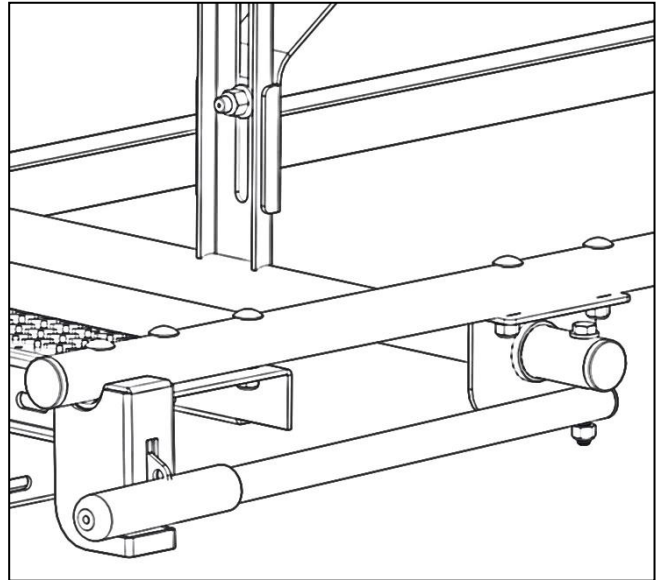
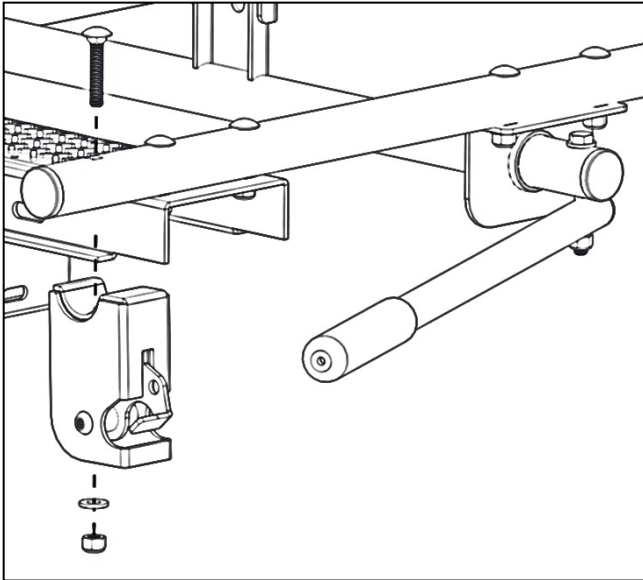
Step 6 – Mount Handle

- Bolt the handle to the clamp tube using a 3/8" x 3" hex head, a 3/8" flat washer, 3/8" nylon washer, a 3/8" curved washer and a 3/8" lock nut. The nylon washer goes in between the clamp tube and the handle. The curved washer fits the contour of the tube on the handle.
- TIGHTEN, but do not over tighten.



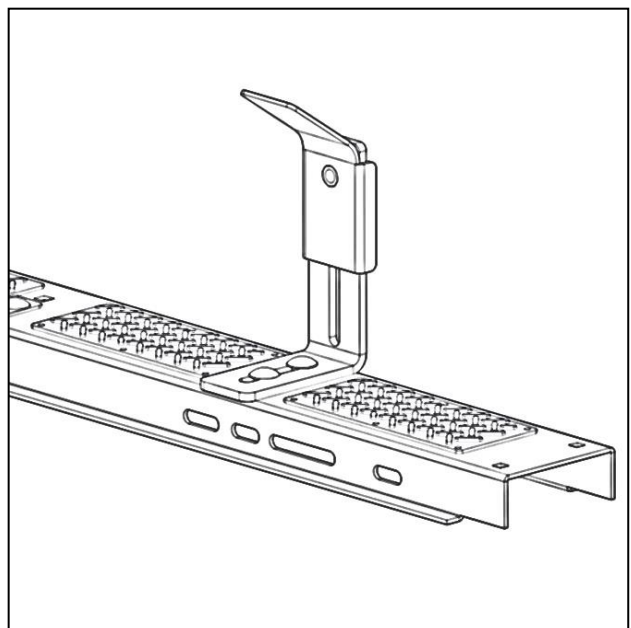
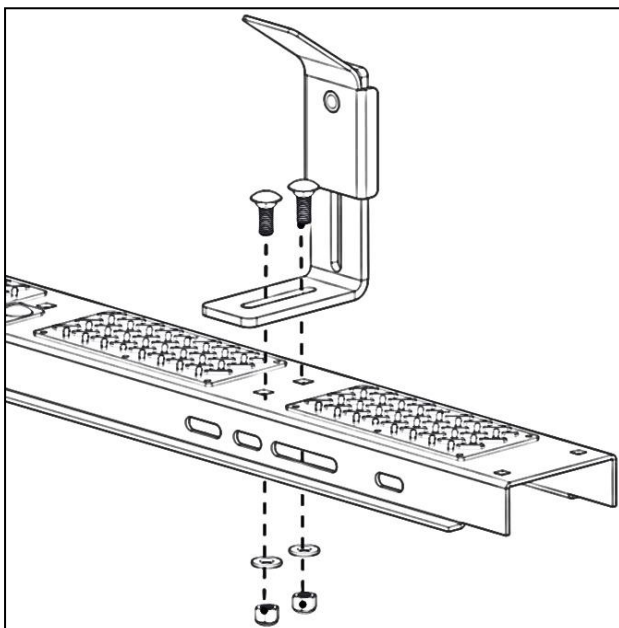
Step 7 – Mount Latch

- Bolt the latch to the round tube installed in Step 4 through the vacant slot using 5/16" x 2" carriage bolt, 5/16" flat washer and a 5/16" lock nut.
- TIGHTEN.

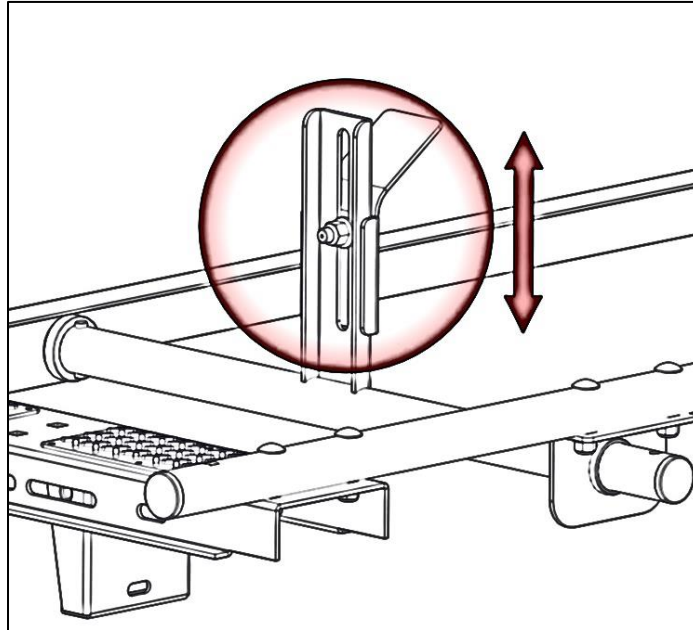


Step 8 – Mount Ladder Stop

- Bolt the ladder stop to the front bow in the orientation shown using two 3/8" x 1" carriage bolts, two 3/8" flat washers and two 3/8" lock nuts.
- Adjust clamp on bracket to fit firmly against your ladder.
- TIGHTEN.
- After installation, adjust clamps to fit firmly against the ladder.



- Adjust clamps to fit firmly against the ladder.



GO BACK AND ENSURE ALL HARDWARE IS TIGHT.

INSTALLATION IS NOW COMPLETE.