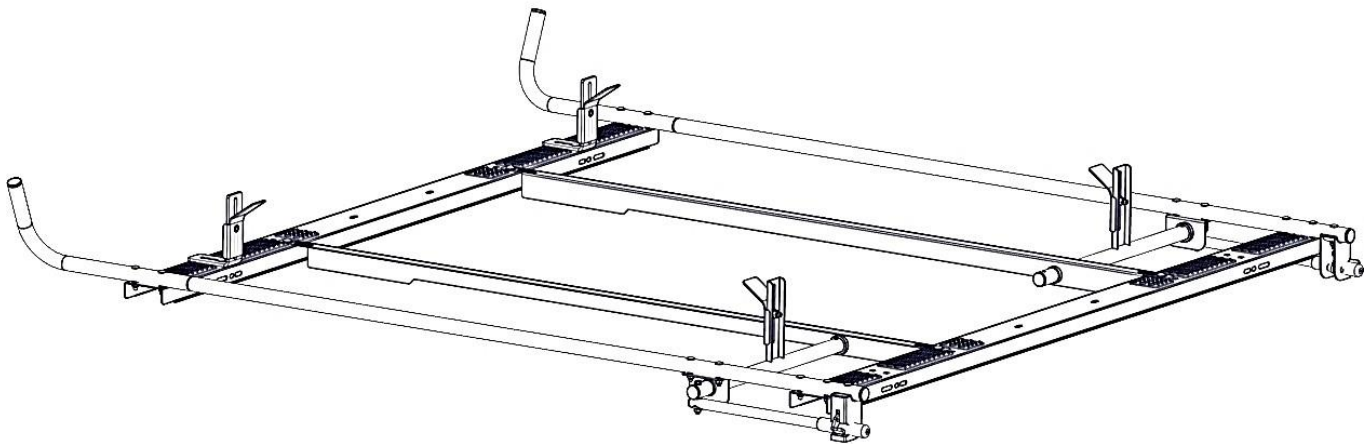


Holman

Instruction Guide 4A81L



Holman
Rancho Cordova, CA 95742
800-343-7486
InstallationSupport@Holman.com

PLEASE READ ALL INSTRUCTIONS AND WARNINGS PRIOR TO ASSEMBLING, INSTALLING, AND USING THIS PRODUCT.

Warning



Always check for wires, fuel tanks and lines, brake lines and other important vehicle functionality items prior to drilling and installing all products.



DO NOT EXCEED MANUFACTURERS WEIGHT CAPACITY FOR ROOF.



Secure all payloads properly for safe transportation.

Table of Contents

Before You Begin	1
Parts List.....	2
Hardware	3
Step 1 – Remove End Stops	4
Step 2 – Install Side Tube.....	4
Step 3 – Install Hanger Bracket.....	5
Step 4 – Attach Clamp Tube and L-Bracket	6
Step 5 – Mount Handle	7
Step 6 – Mount Latch Assembly	7
Step 7 – Mount Ladder Hook	8


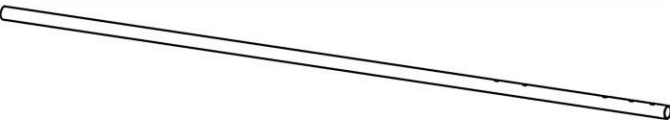
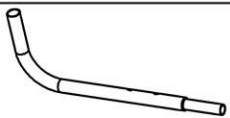
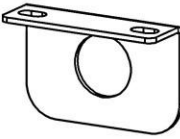
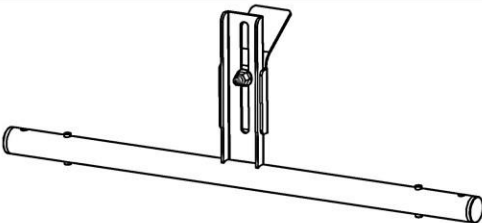
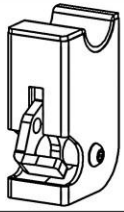

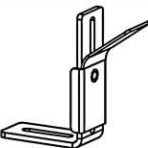
Tools Needed

9/16" Socket and Wrench	1/2" Socket and Wrench
-------------------------	------------------------

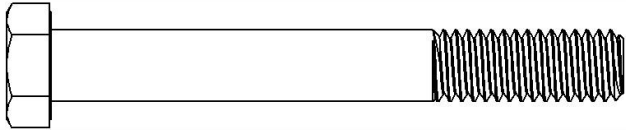
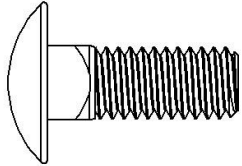
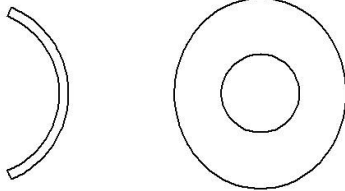
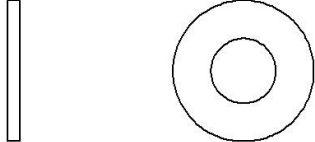
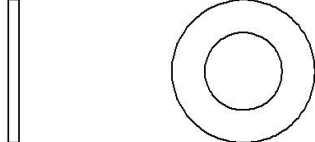
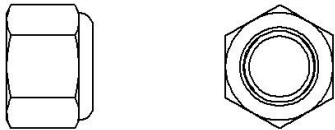
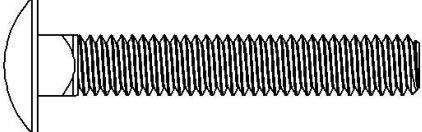
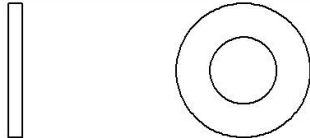
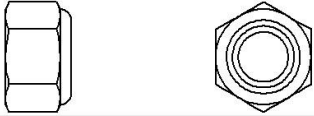
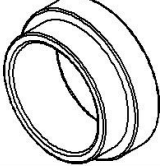
Before You Begin

- Read all instructions prior to assembling or installing any Holman product.
 - **Always locate your installation locations prior to performing any work.**
 - **Most times, it is easier to install on top of roof, after the mount kit has been installed.**
 - **Be sure to put sealant around all threads entering cargo area and between the rubber spacer and roof of vehicle to prevent water from leaking into cargo area.**
 - **Be sure to adjust ladder clamps accordingly to secure ladder firmly to rack. To adjust, refer to Clamp and Lock adjustment guide.**
-

Parts List

ITEM		PART NUMBER	DESCRIPTION	QTY
A		4A800-00-003-L	Long Angle Bracket - DS	1
B		4A800-51	Tube	1
C		4A800-52-L	J-Tube	1
D		11-03027-A	Angle Bracket	1
E		4A800-30	Pivot Ladder Clamp ASM	1
F		4A800-20	Handle Clamp ASM	1
G		4A800-40	Handle	1
H		4A800-60	Ladder Clamp ASM	1
		18-4A81L	Hardware	1

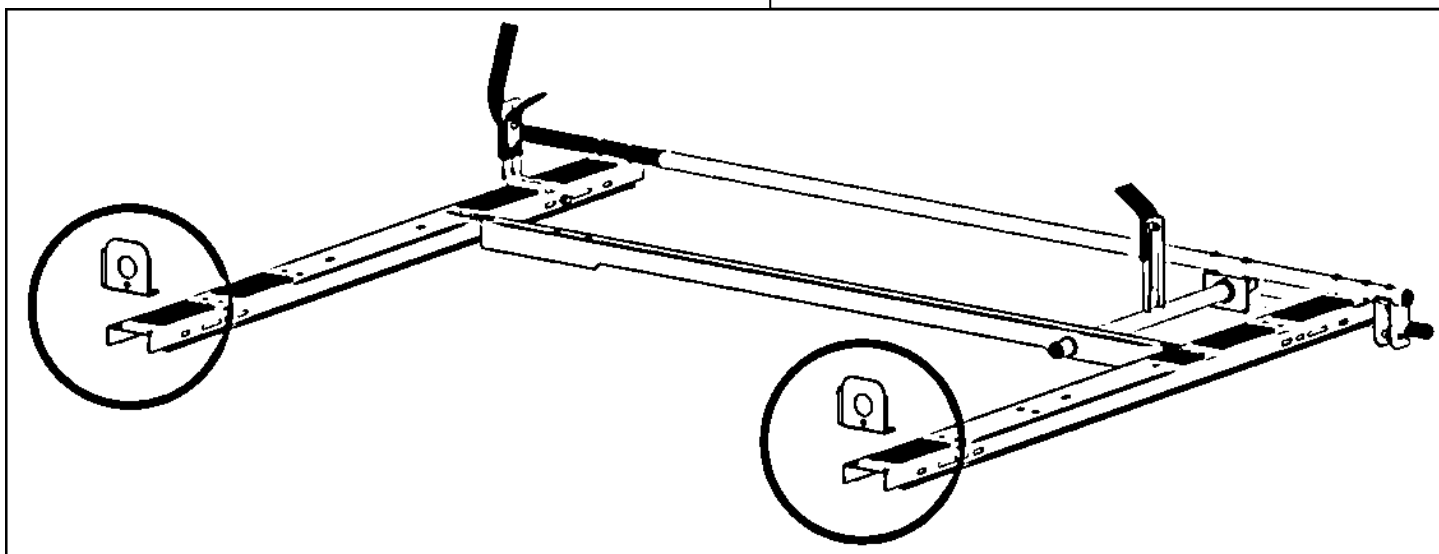
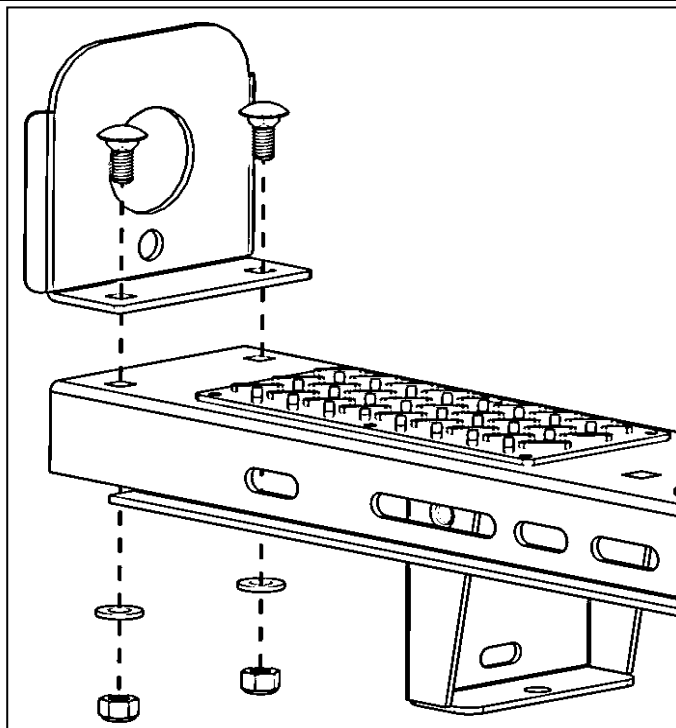
Hardware

ITEM	HARDWARE TO SCALE	PART NUMBER	DESCRIPTION	QTY.
1		11241204	3/8"-16 X 3" HEX HEAD BOLT	1
2		74436	3/8-16 X 1" CARRIAGE BOLT	4
3		91844A370	3/8" Curved Washer	1
4		76063	3/8" X 1/16" C 3/4" NYLON WASHER	1
5		0159723	3/8" FLAT WASHER	5
6		0169791	3/8"-16 LOCK NUT	5
7		21814	5/16"-18 X 2" CARRIAGE BOLT	7
8		92141A030	5/16" FLAT WASHER	7
9		0169777	5/16"-18 NYLOC	7
10	 *NOT TO SCALE	-	Nylon Sleeve	2
11		60ml - SEALANT	Self Leveling Adhesive Sealant	1

DO NOT EXCEED MANUFACTURERS WEIGHT CAPACITY FOR ROOF!

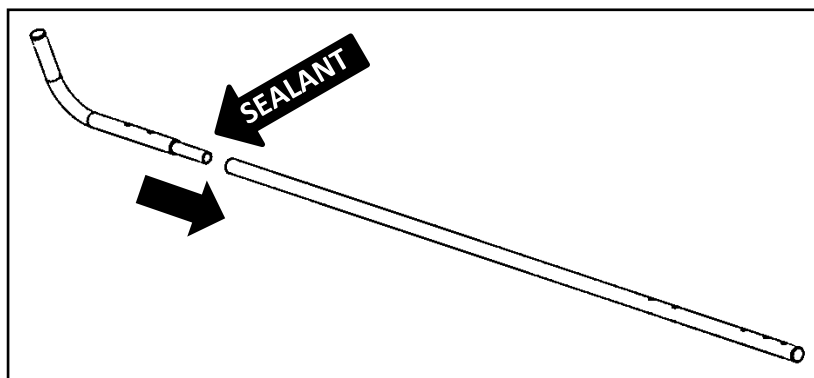
Step 1 – Remove End Stops

- If haven't already done so, remove end stops from opposite end of both bows where the existing ladder rack is installed.

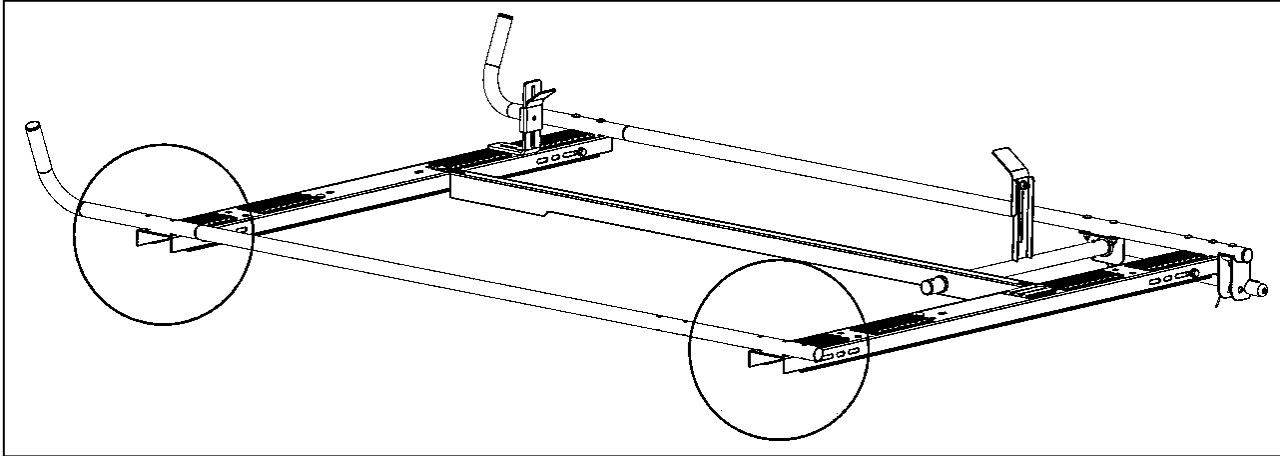


Step 2 – Install Side Tube

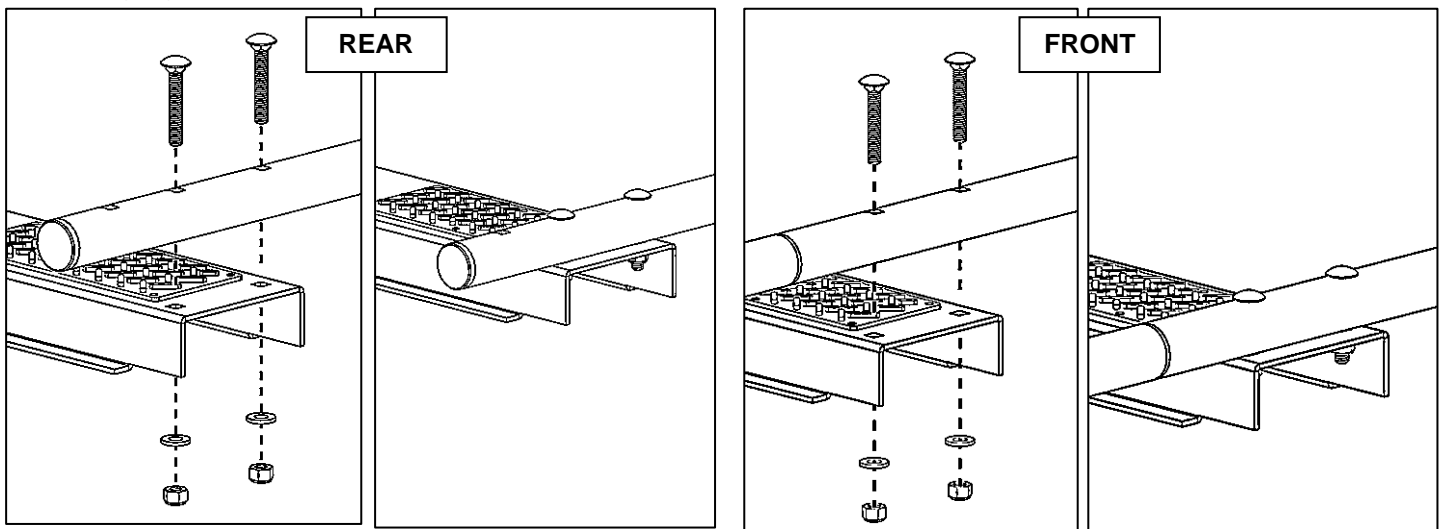
- Place sealant around swaged end of side support bar.
- Slide side support bar into side tube assembly. **Be sure the holes in each line up.**
- Place the J-tube assembly on top of the installed bows.



- Be sure the bend is towards the front and to the outside of the vehicle as shown.

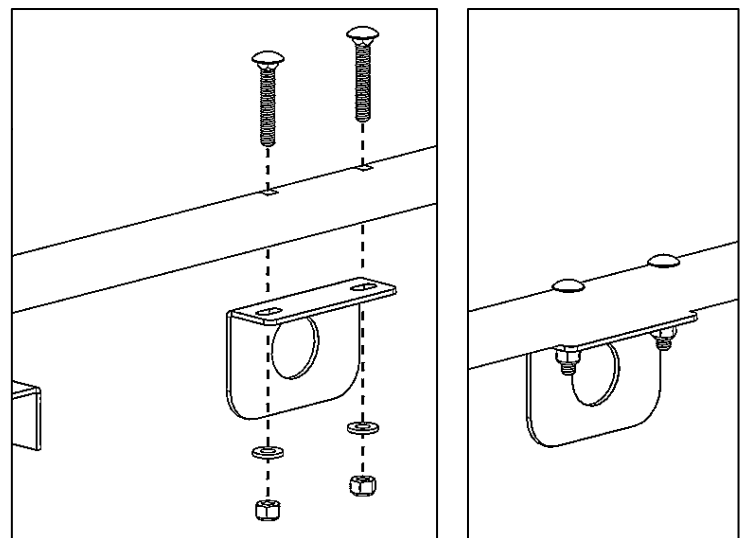


- Be sure to leave one square slot open at the rear of the J-tube assembly.
- Bolt the J-tube assembly to the rear bow using 5/16" x 2" carriage bolt, a 5/16" flat washer and a 5/16" lock nut.
- Snug tighten, but allow movement.



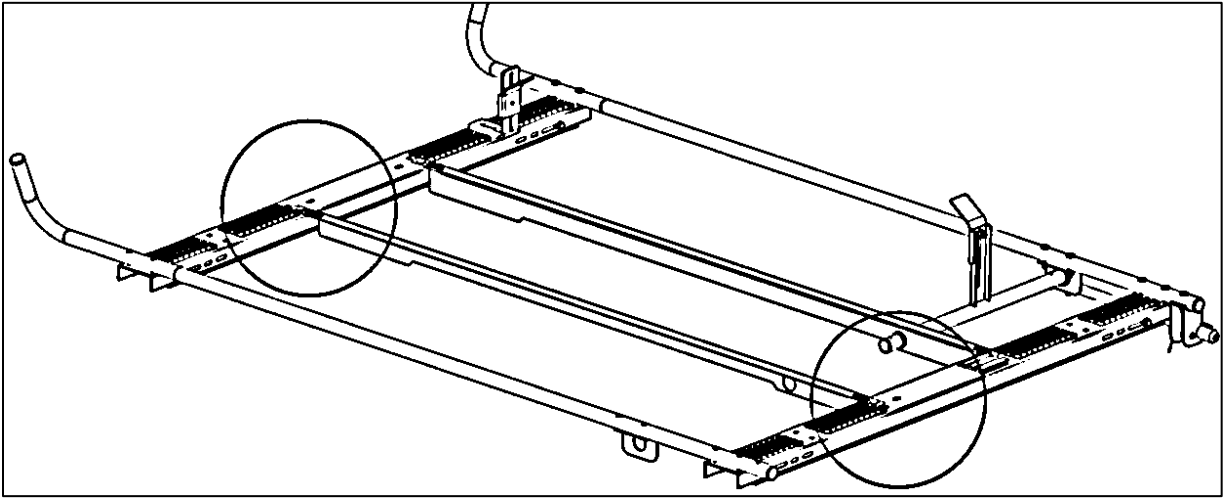
Step 3 – Install Hanger Bracket

- Using 5/16" x 2" carriage bolts, 5/16" flat washers and 5/16" lock nuts, bolt the angle bracket to the underside of the side tube as shown. **Be sure the downward flanges is towards center of vehicle and downwards.**

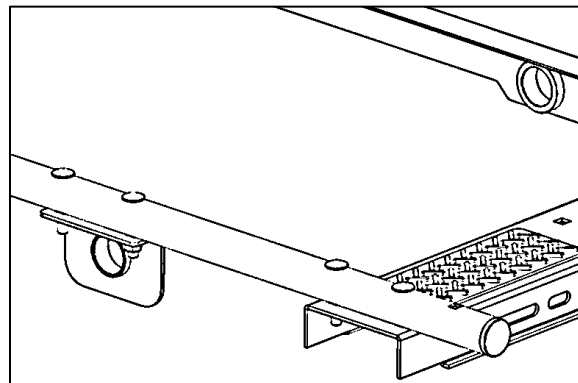
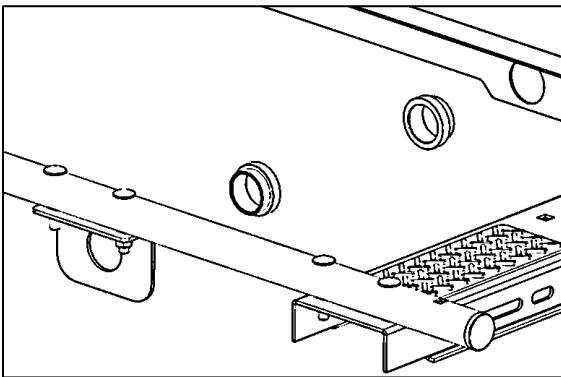


Step 4 – Attach Clamp Tube and L-Bracket

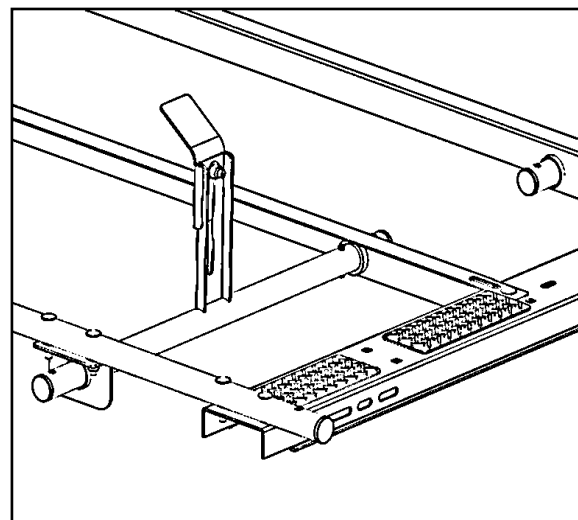
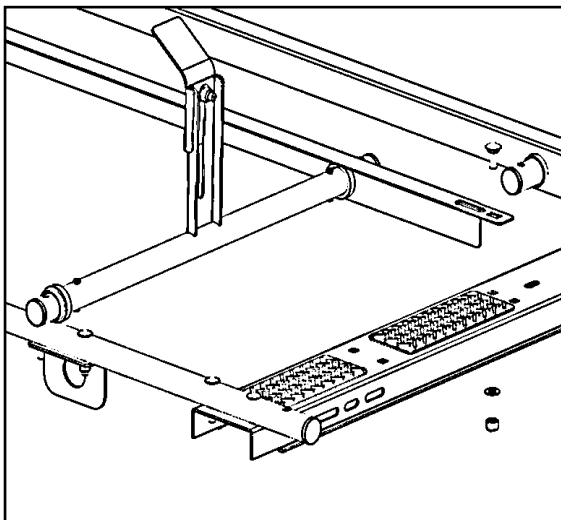
- Place clamp and lock L bracket on top of installed bows. **Do not install hardware now.**



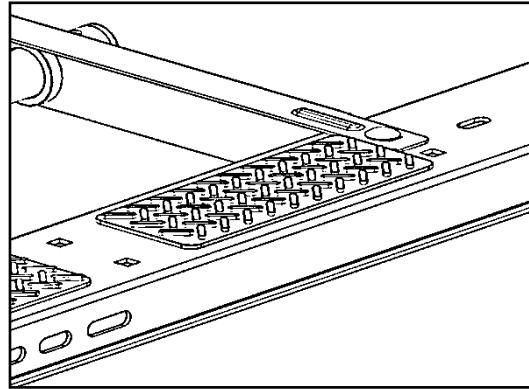
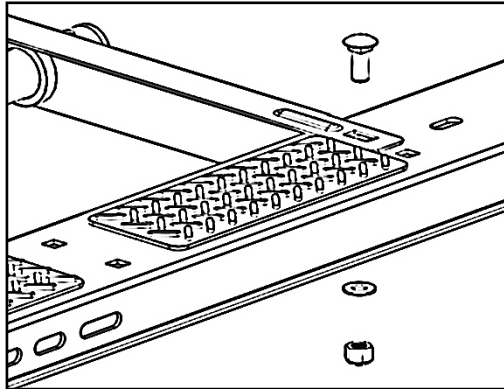
- Insert plastic bushings into the clamp and lock L bracket and the hanger bracket installed in Step 2, with flanges as shown so they cannot come out at a later time. **If bushings are not placed in correct orientation, they can fall out.**



- Insert clamp tube into both plastic bushings.
- Adjust clamp on clamp tube to fit firmly against your ladder.

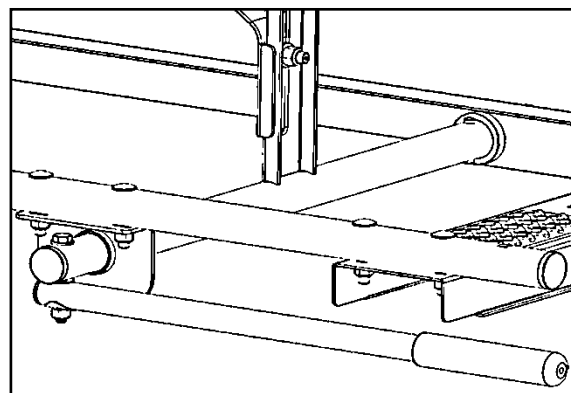
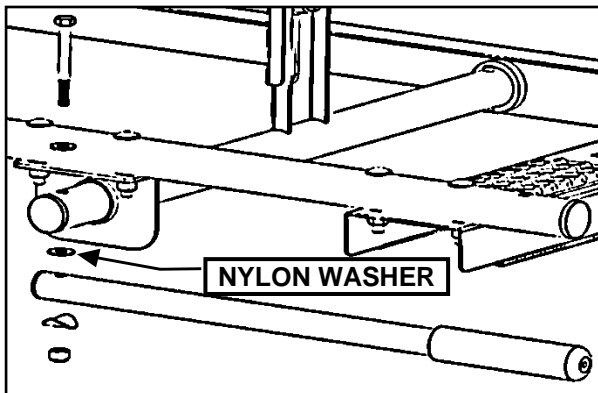


- Bolt clamp and lock L bracket to bows using 3/8" x 1" carriage bolt, 3/8" flat washer and a 3/8" lock nut as shown. (This view shown is without clamp tube.)
- **TIGHTEN.**



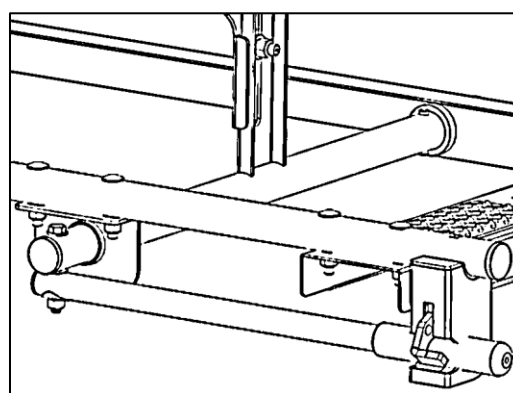
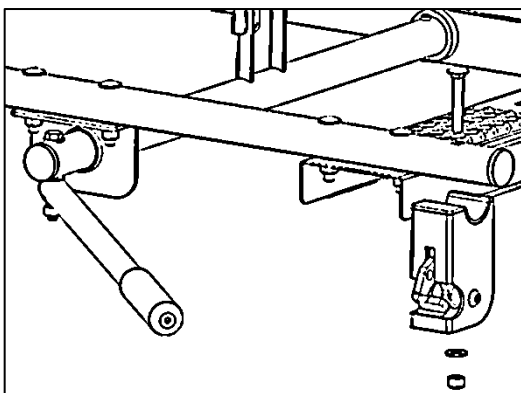
Step 5 – Mount Handle

- Bolt handle to clamp tube using a 3/8" x 3" hex head, 3/8" flat washers, 3/8" nylon washer, 3/8" curved washer and a 3/8" lock nut. The nylon washer goes in between the clamp tube and handle.
- **TIGHTEN.**



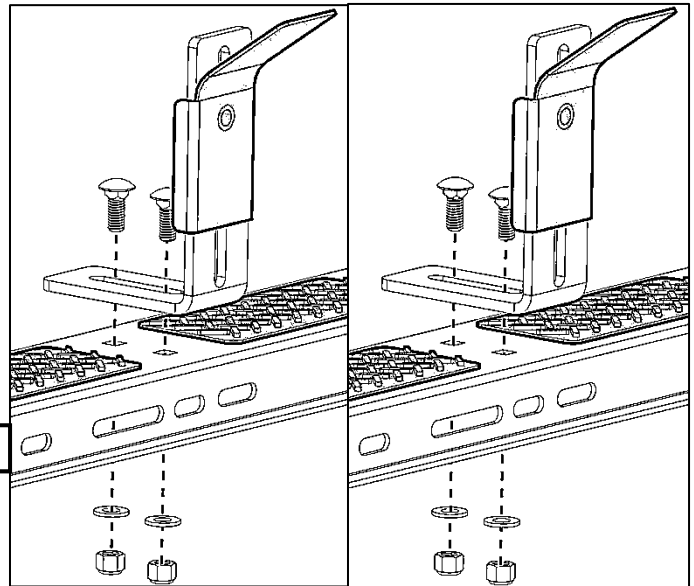
Step 6 – Mount Latch Assembly

- Bolt latch to the rear of the mount tube that was installed in Step 5 using 5/16" x 2" carriage bolt, 5/16" curved washer and a 5/16" lock nut.
- **TIGHTEN.**

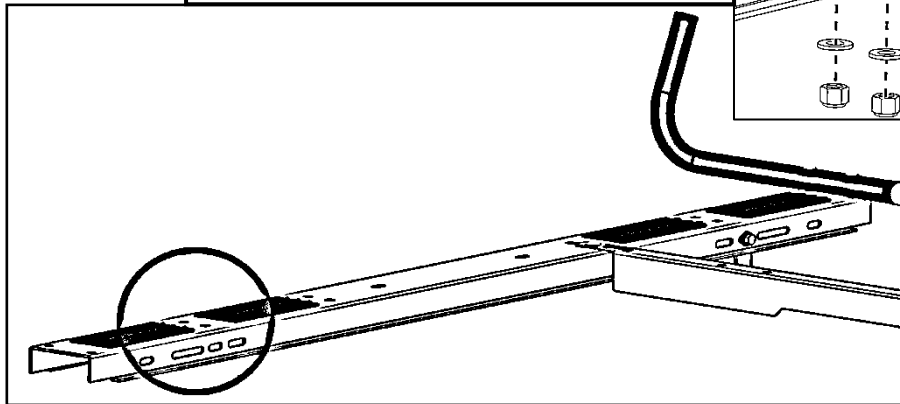


Step 7 – Mount Ladder Hook

- Bolt ladder hook bracket to the bow in the orientation shown using a 3/8" x 1" carriage bolt, a 3/8" flat washer and a 3/8" lock nut. **Be sure the bracket is square to the bow.**
- Adjust clamp on bracket to fit firmly against your ladder.
- **TIGHTEN.**

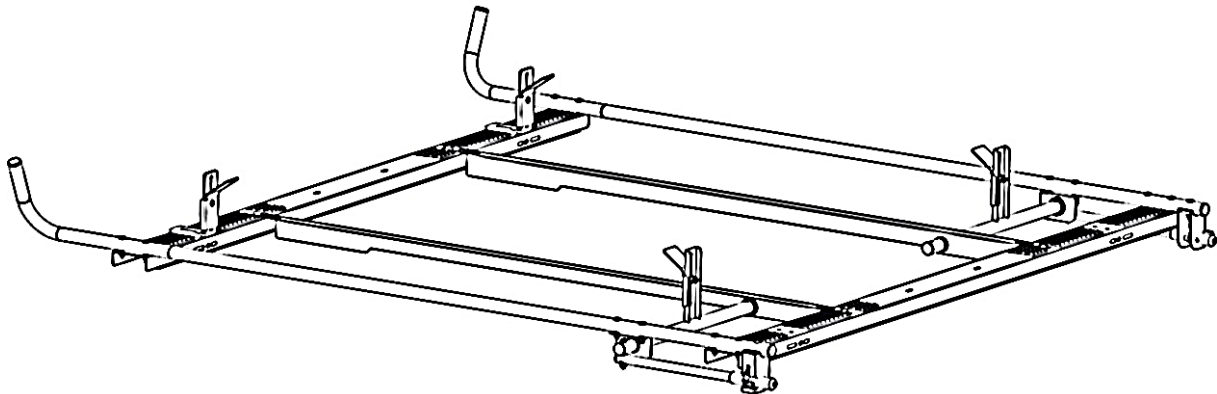


Show without some parts for clarity.



GO BACK AND ENSURE ALL HARDWARE IS TIGHT.

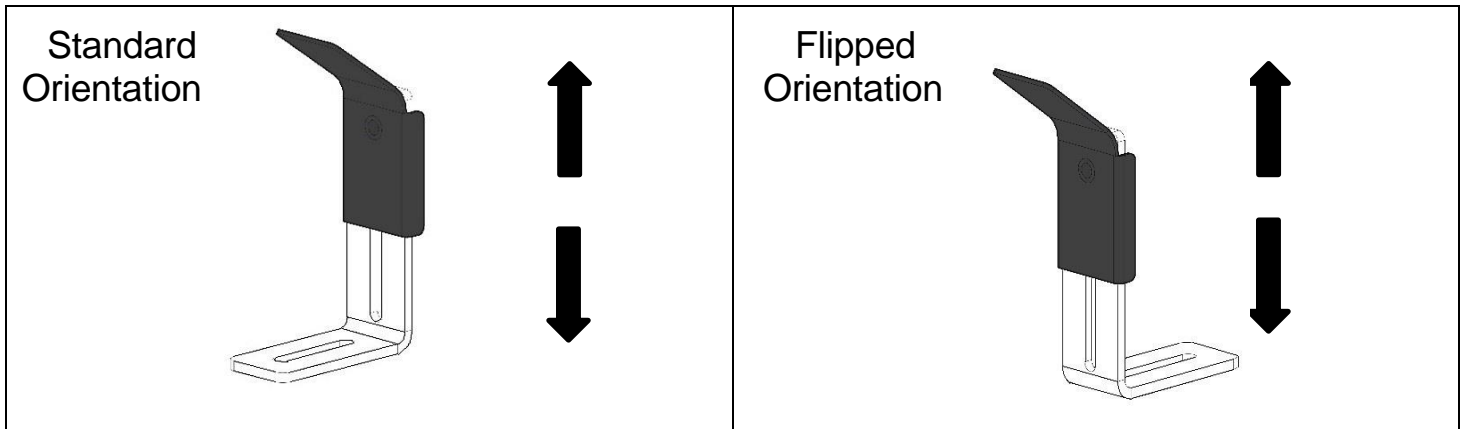
INSTALLATION IS NOW COMPLETE.



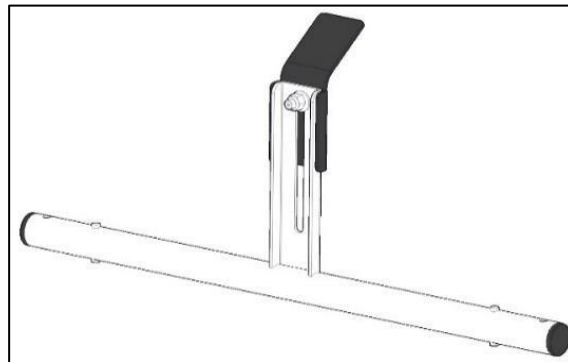
Refer to the Clamp and Lock Adjustment instructions to adjust the rack to your ladder.

ALWAYS BE SURE LADDER IS SECURE PRIOR TO TRANSPORTATION.

Angle Pad Orientations and Locations

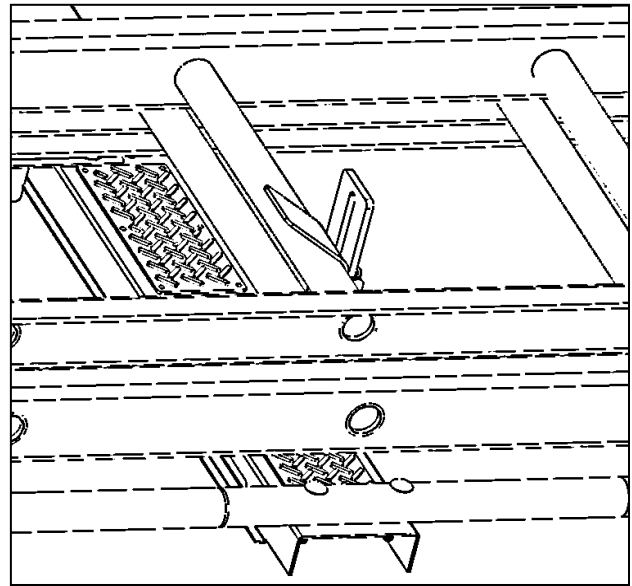
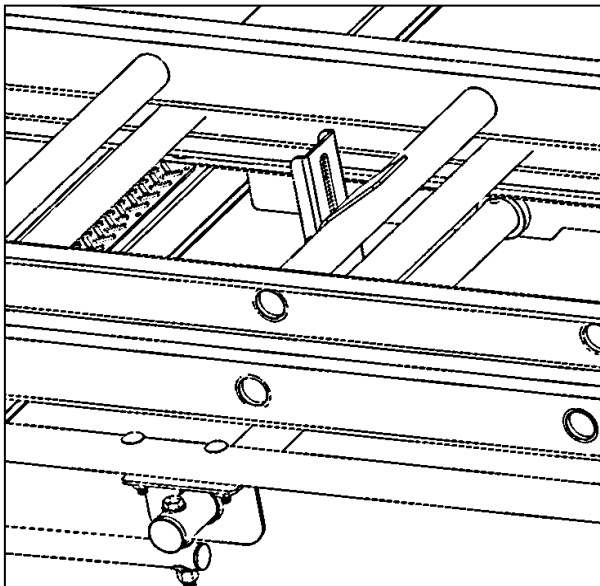


Clamp Mechanism Orientation and Angled Pad Positions



Examples of Ladder Clamps Firmly Against Ladder Rungs

- Be sure to position the ladder hook in a way so the hook clamps the ladder tight into place. A tight fit ensures the ladder cannot fall off the rack.



BE SURE THE LADDER HOOKS ARE FIRMLY AGAINST THE LADDER STEPS OR RUNGS.