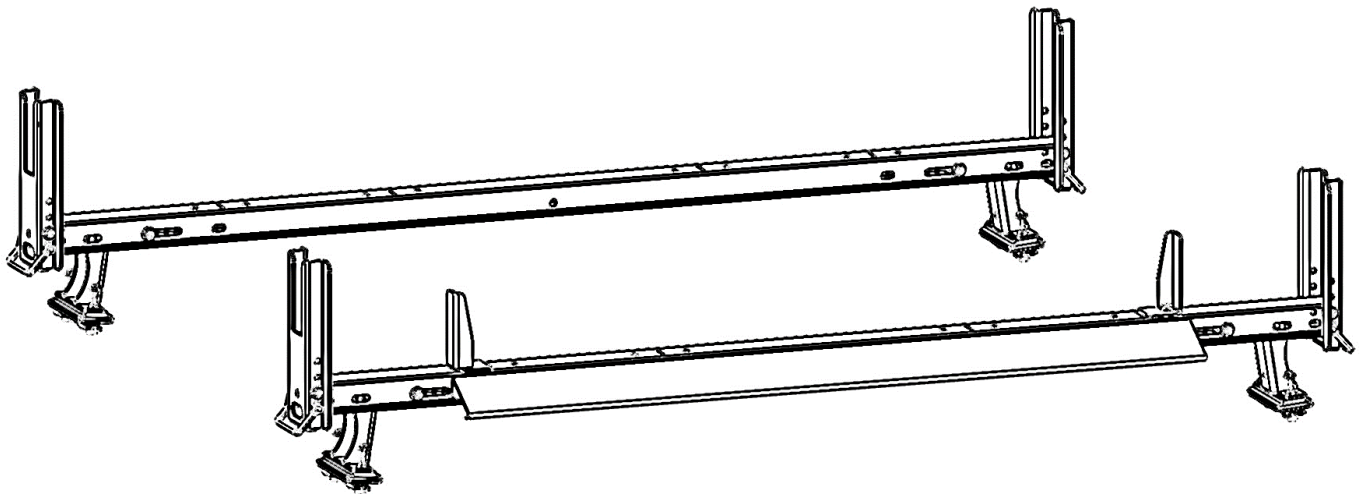


Holman

Instruction Guide 4A821



Holman
Rancho Cordova, CA 95742
800-343-7486

InstallationSupport@Holman.com

PLEASE READ ALL INSTRUCTIONS AND WARNINGS PRIOR TO ASSEMBLING, INSTALLING, AND USING THIS PRODUCT.

Warning



Always check for wires, fuel tanks and lines, brake lines and other important vehicle functionality items prior to drilling and installing all products.

Tools Needed

9/16" Socket and Wrench	10mm Socket and Wrench
13mm Socket and Wrench	

Table of Contents

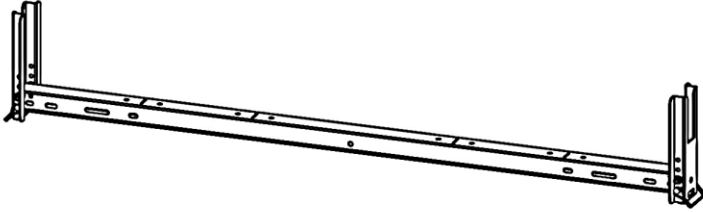
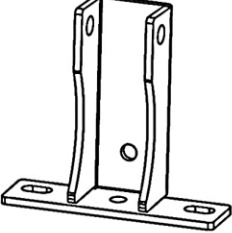
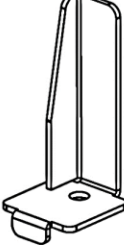
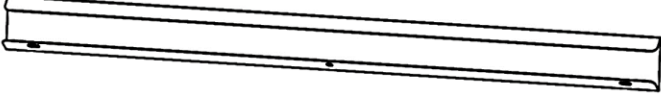
Before You Begin	1
Parts.....	2
Assembly Hardware (18-4A821-A).....	3
Installation Hardware (To Scale) (18-4A821-M)	4
Step 1 – Adjustment of Uprights	6
Step 2 – Assemble Ladder Hooks	7
Step 3 – Assemble Wind Deflector	8
Step 4 – Assembly of Foot	9
Installation Instructions.....	9
Transit.....	10
Sprinter	11
ProMaster	12
NV	13
Transit Connect	14
ProMaster City.....	15
NV200/Chevy City Express	16
Metris.....	17

Before You Begin

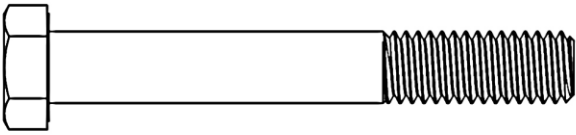
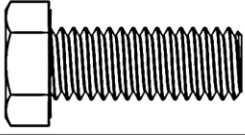
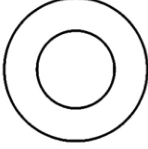


- Read all instructions.
- **Be sure to put sealant around all threads entering cargo area and between the rubber spacer and roof of vehicle to prevent water from leaking into cargo area.**
- Ensure ALL hardware is tight at the conclusion of the instructions.

NOTE: IF INSTALLING ON PROMASTER, 40918 KIT MUST BE PURCHASED AND INSTALLED.

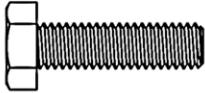
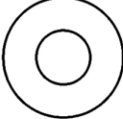

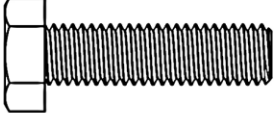
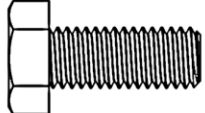
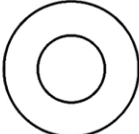


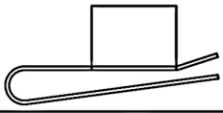
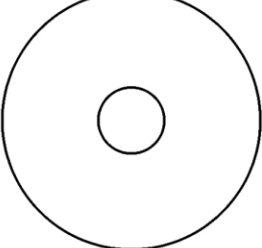
Parts

NO.	ITEM	PART NUMBER	DESCRIPTION	QTY.
1		4A821-10	ALUMINUM CROSSBAR	2
2		4A821-10-001	ALUMINUM FOOT	4
3		4A821-10-006	ALUMINUM LADDER HOOK	2
4		4A821-10-009	ALUMINUM WIND DEFLECTOR	1
5		18-4A821-A	HARDWARE KIT	1
6		18-4A821-M	MOUNT HARDWARE KIT	1

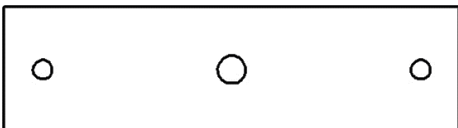
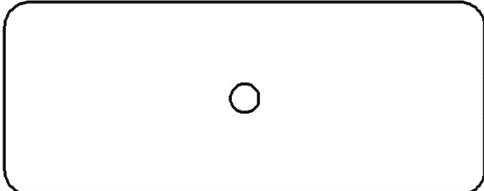
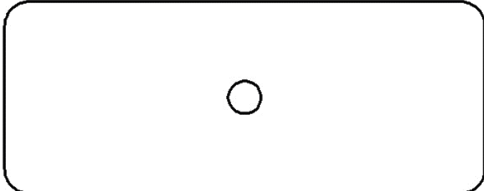
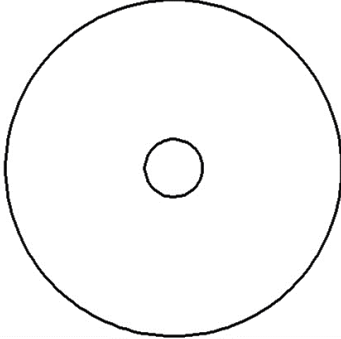
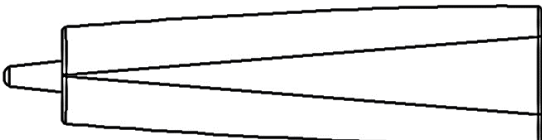
Assembly Hardware (18-4A821-A)

ITEM	HARDWARE TO SCALE	PART NUMBER	DESCRIPTION	QTY.
1		70114	3/8-16 X 2-3/4" HEX HEAD BOLT	4
2		70105	3/8-16 X 1" HEX HEAD BOLT	5
3		0174733	3/8" STEEL FLAT WASHER	18
4		70862	3/8"-16 NYLON INSERT LOCK NUT	9
5		-	3/8" X 36.8MM NYLON SPACER	4

Installation Hardware (To Scale) (18-4A821-M)

ITEM	HARDWARE TO SCALE	PART NUMBER	DESCRIPTION	QTY.
1		38560	M6 X 1.0 X 22MM HEX HEAD BOLT	8
2		11545154	1/4" FLAT WASHER	8
3		1133618	1/4"-20 LOCK WASHER	8
4		11552488	M8-1.25 X 30MM HEX HEAD BOLT	4
5		11552486	M8-1.25 X 20MM HEX HEAD BOLT	8
6		92141A030	5/16" Flat Washer	12
7		1171067	5/16" LOCKING WASHER	8
8		11511017	M8-1.25 NYLON NUT	4
9		0162867	M8 U- NUT	8
10		33216	5/16" FENDER WASHER	4

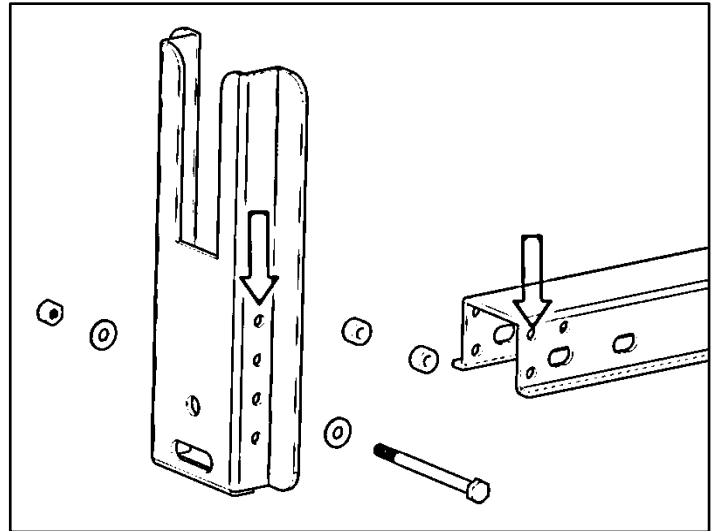
Installation Hardware (Continued)

ITEM	HARDWARE TO SCALE	PART NUMBER	DESCRIPTION	QTY.
11		40821-10-004	3 HOLE RUBBER PAD	4
12		T249-02	Rubber	4
13		T250-01	T250 PLATE	4
14			5/16" RUBBER FENDER WASHER, 1-3/4" OD X 1/8" THK	4
15		Sealant - 60 ml	SELF LEVELING ADHESIVE SEALANT	1

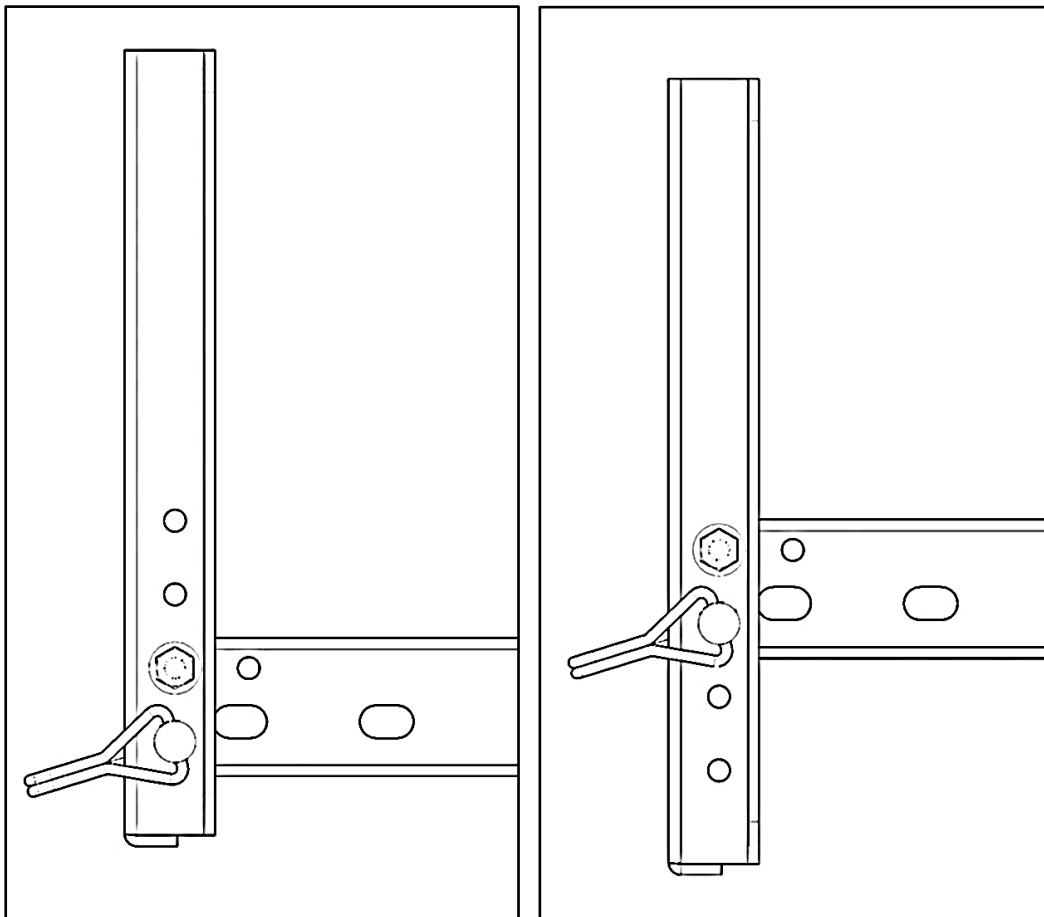
DO NOT EXCEED MANUFACTURERS WEIGHT CAPACITY FOR ROOF!

Step 1 – Adjustment of Uprights

- The uprights at each end of the crossbar come preinstalled.
- If van upright is not at desired height, remove bolts and adjust accordingly. **Be sure to have one hole open below where van upright is bolted to cross member.**
- Repeat on other side of cross member.
- Repeat on other cross member. You will have two of the same assemblies.
- Insert pin through the van upright and the cross member, using the open hole below the previously installed hex bolt.
- TIGHTEN.

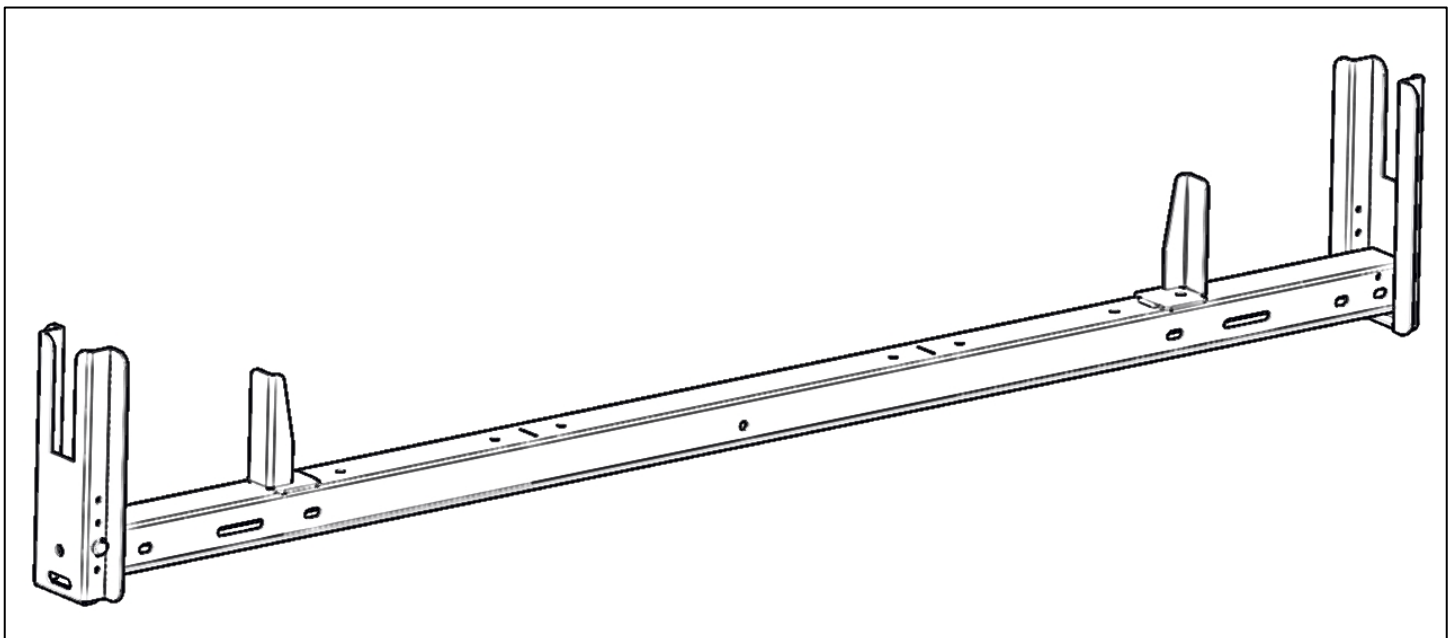
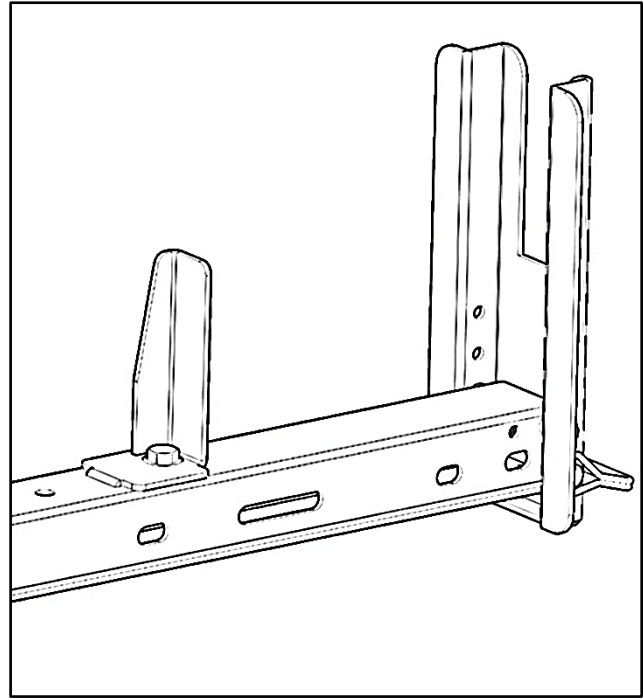
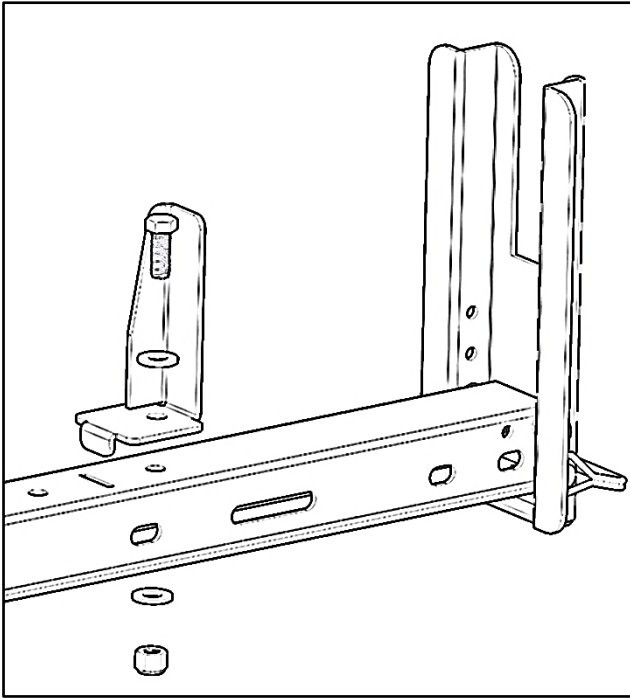


Below shows different heights of van uprights



Step 2 – Assemble Ladder Hooks

- On one cross member, bolt two ladder hooks to the top of cross member using one 3/8" x 1" hex head bolt, two 3/8" flat washers, and one 3/8" lock nut.
- The tab on the ladder hook will line up with the slot in the cross member. The position of the tab is dependent on the width of your load.
- Typically, this cross member goes to the front of the vehicle.
- TIGHTEN.

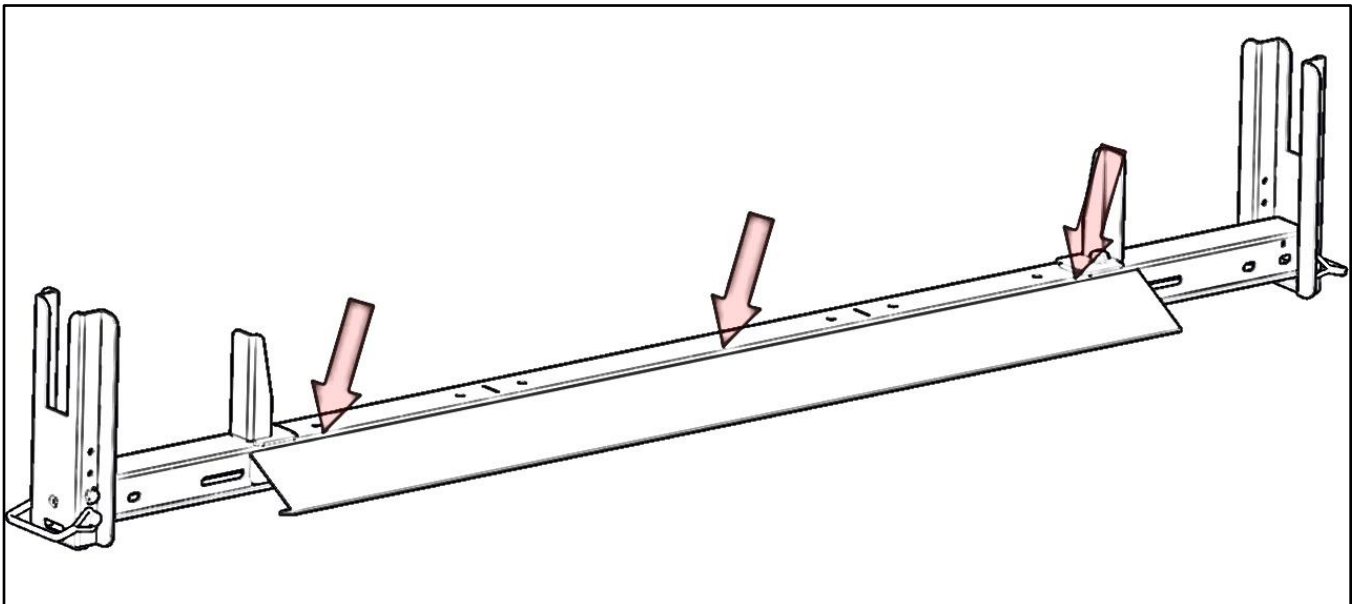
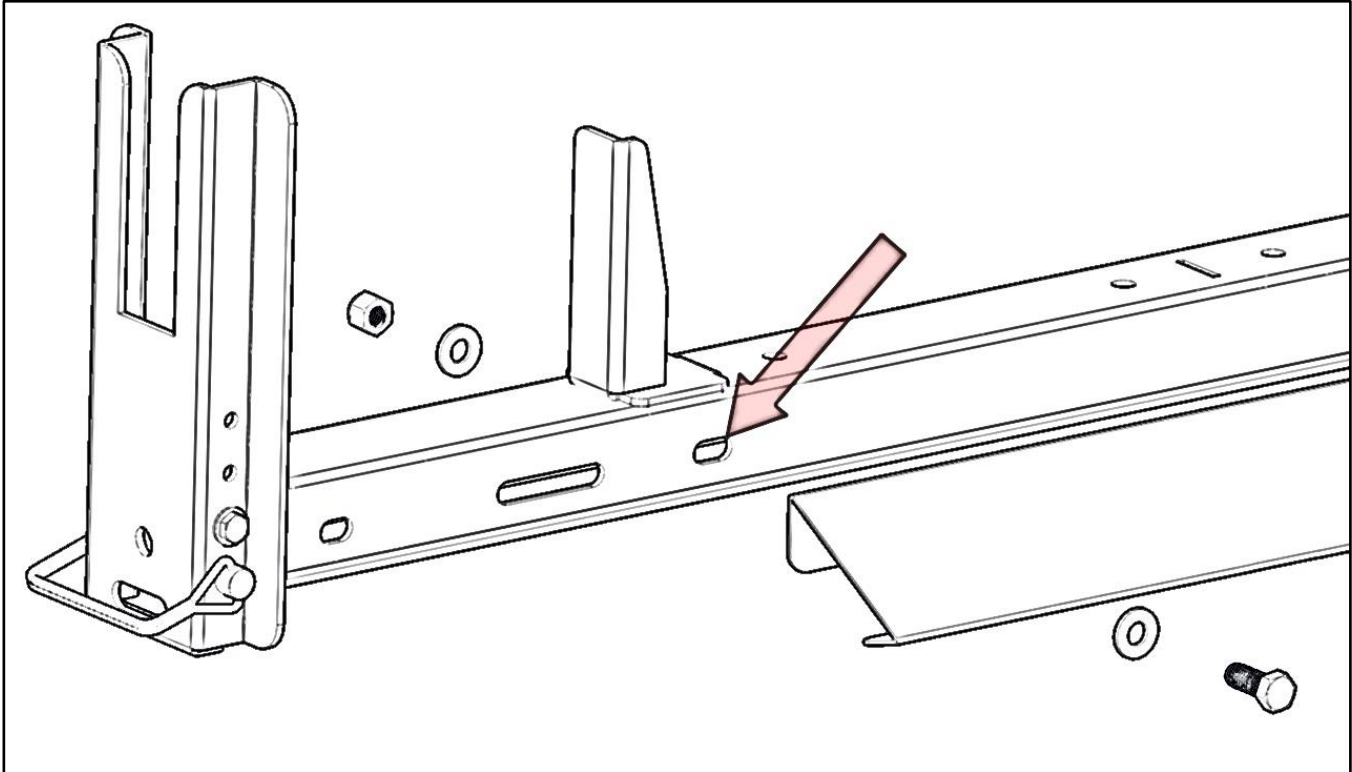


Step 3 – Assemble Wind Deflector

- Bolt wind deflector to the front of the cross member through the slot as shown below.

Note: Typically, this is attached to the same cross member with the ladder hooks.

- Use a 3/8" x 1" hex head bolt, a 3/8" flat washer, and a 3/8" lock nut in the order shown.

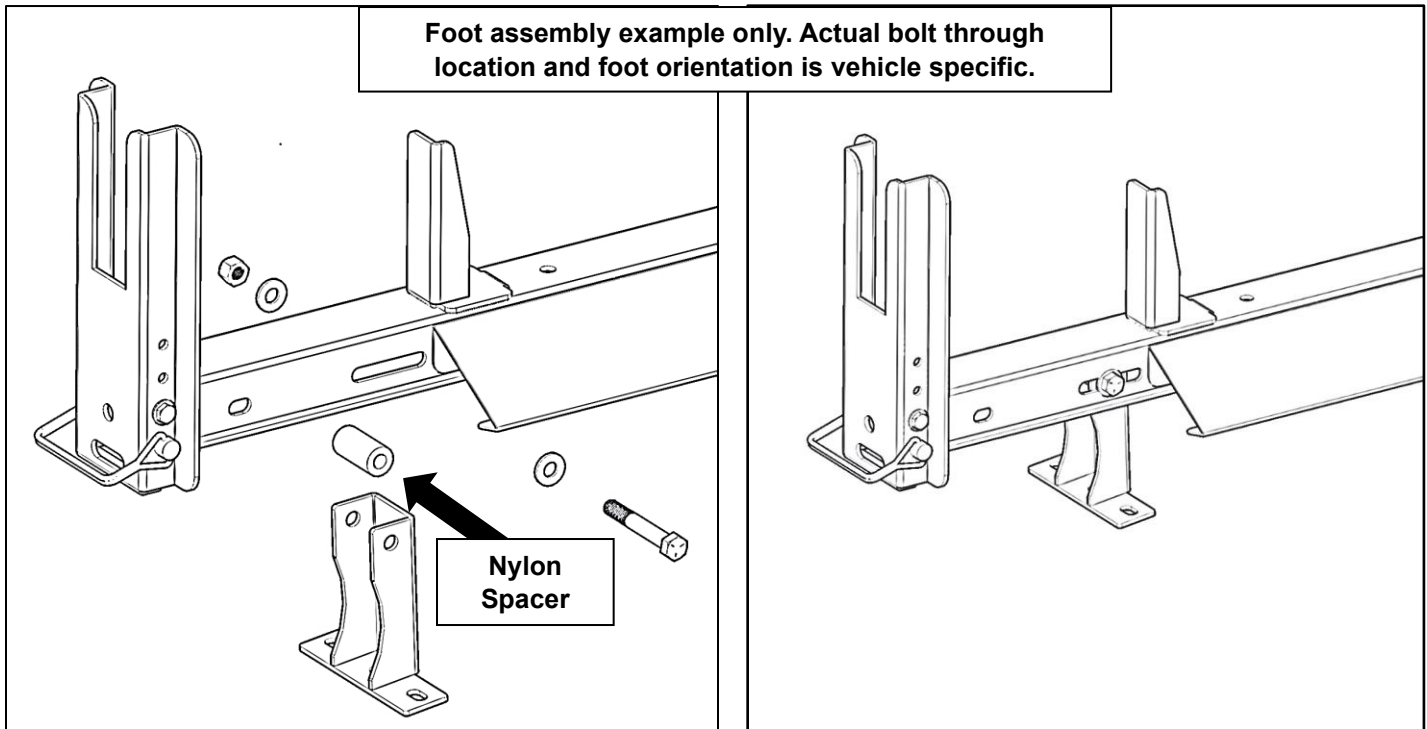
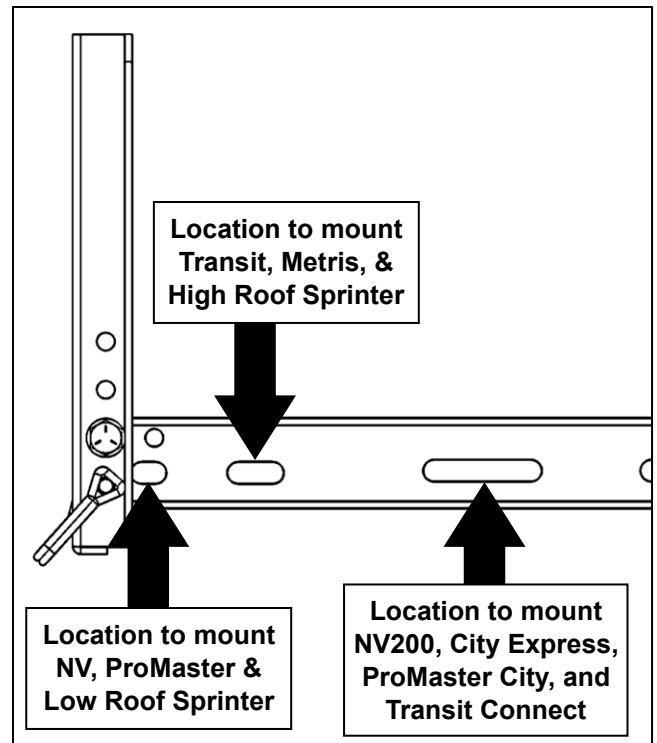


- Repeat in other two locations as shown.
- Square the wind deflector to the crossbar and tighten.
- The crossbar assembly with the wind deflector installs towards the front of the vehicle, with the wind deflector pointing forward.

Step 4 – Assembly of Foot

NOTE: Depending on your vehicle, the foot will mount in different slots.

- Be sure to have the cup in the foot facing outward as shown for all vehicles except the low roof sprinter. The low roof Sprinter will need the cup in the foot facing inward.
- Use a 3/8" x 2-3/4" hex head bolt, two 3/8" flat washers, a nylon spacer, and a 3/8" lock nut to bolt foot to cross member. **Be sure to insert the nylon spacer inside foot.**
- Repeat on both sides and both cross members.
- **Do NOT tighten.**



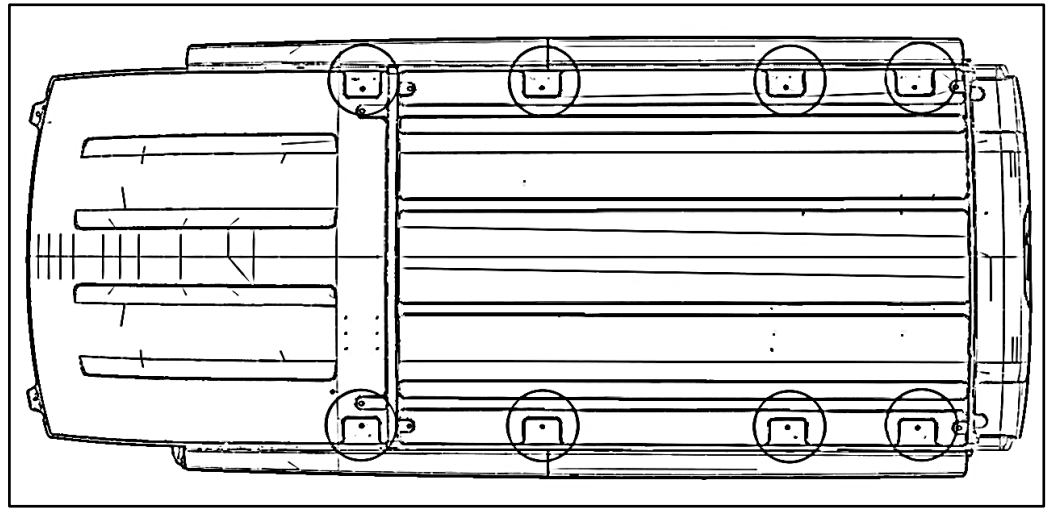
Installation Instructions

- The following are vehicle specific installation instructions. Follow the instructions for your specific vehicle.

Transit

Step 5

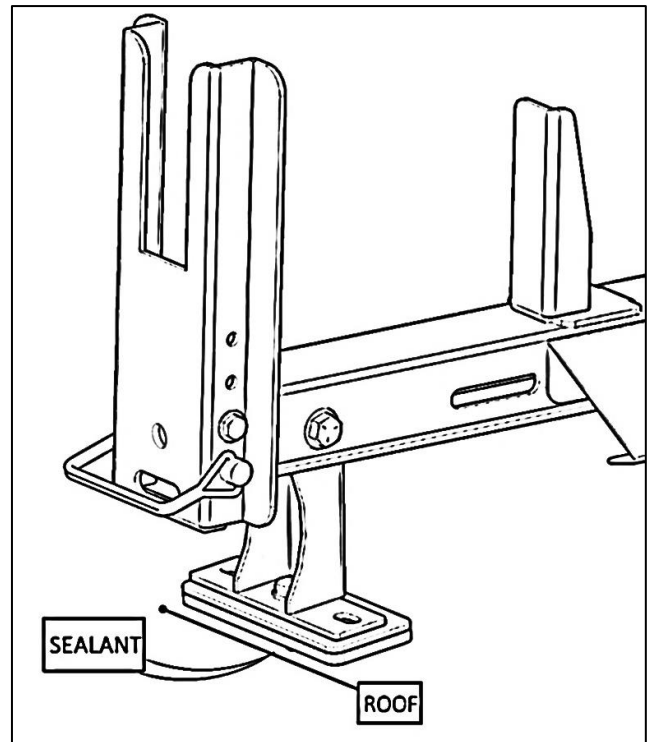
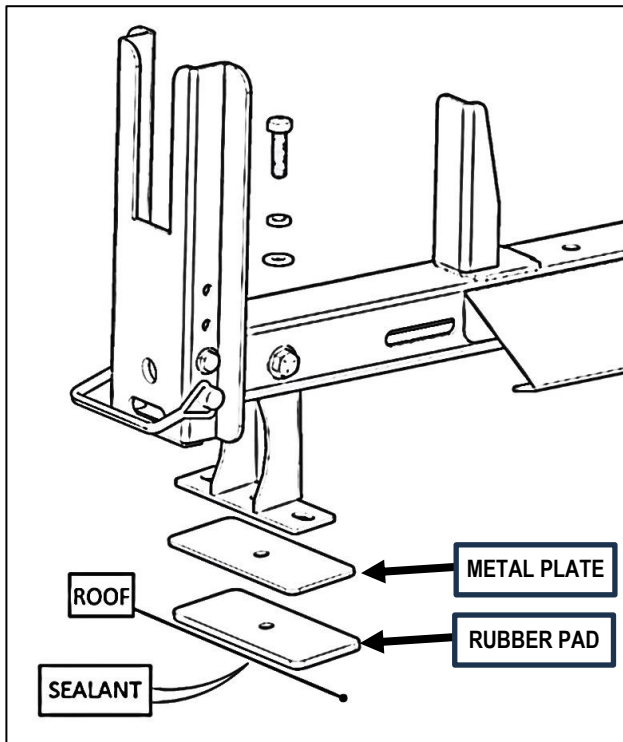
- Locate 4 mounting locations on roof for the crossbars to be installed.
- Remove plugs from ONLY the desired mounting locations in roof.



Step 6

NOTE: Be sure to put rubber pad and metal plate in between mount foot and roof of van as shown below. The rubber pad goes on the roof.

- Place sealant between rubber pad and roof of van and around threads to ensure no water leaks into van.
- Bolt through the mount foot into the exposed holes in roof using one M8 x 30mm hex head bolt, one 5/16" lock washer, one 5/16" flat washer, a metal plate, and a rubber pad, in the order shown.



Step 7

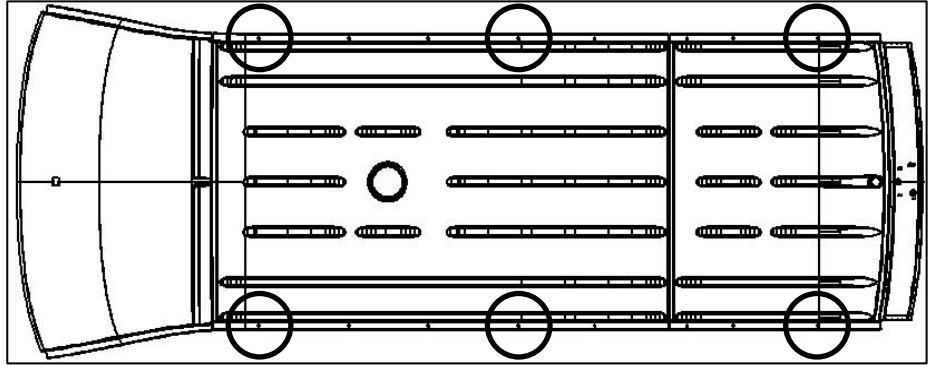
- Go back and tighten all hardware including hardware on the rack itself.

INSTALLATION AND ASSEMBLY ARE COMPLETE.

Sprinter

Step 5

- Locate 4 mounting locations in roof for the crossbars to be installed.
- Remove plugs from ONLY the desired mounting locations in roof.

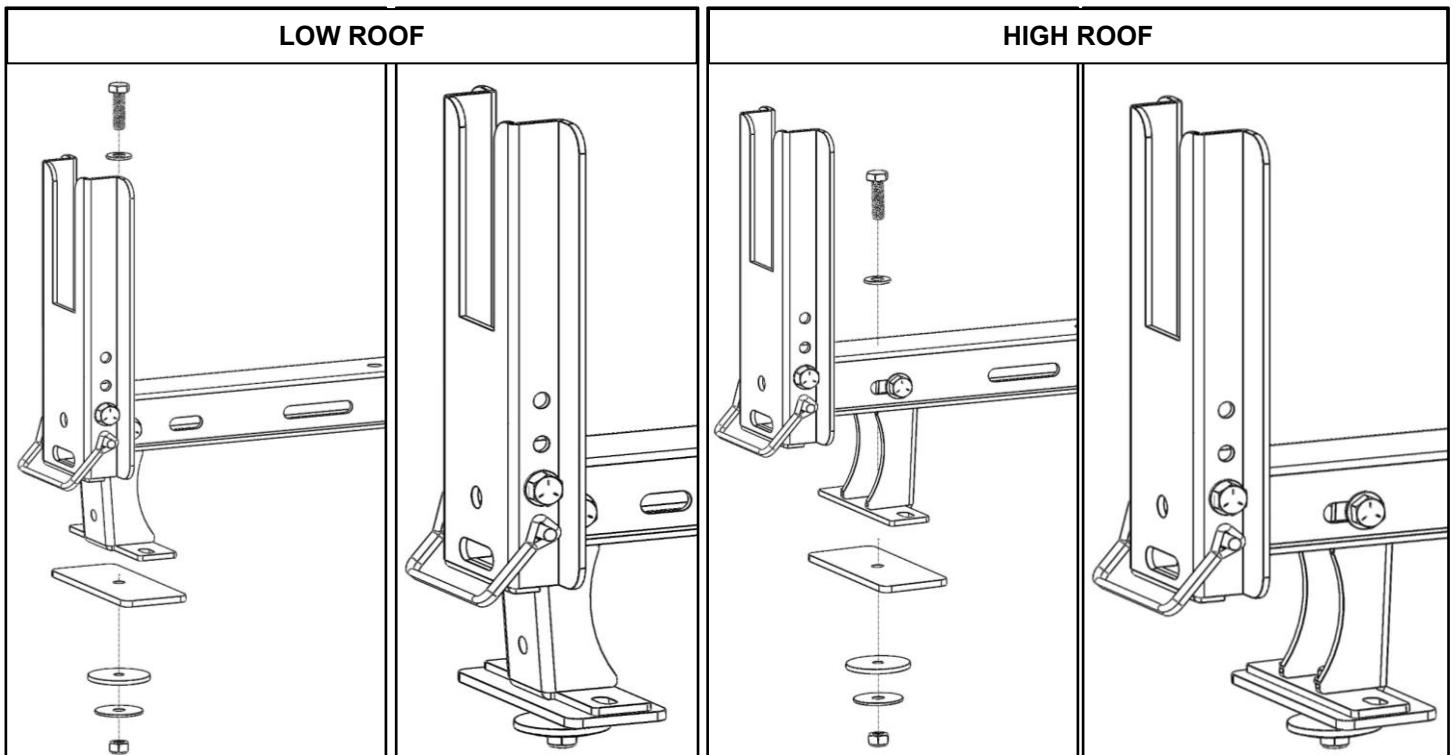


Step 6

NOTE: The low roof sprinter will need the cup in the foot facing inward.

NOTE: Be sure to put rubber spacer in between mount foot and roof of van as shown below. The roof goes in between rubber spacer and rubber washer.

- Be sure to place sealant between rubber spacer and roof of van and around threads to ensure no water leaks into van.
- Bolt through the mount foot into the exposed holes in roof using one M8 x 30mm hex head bolt, one 5/16" flat washer, a rubber pad above roof, a rubber washer inside of roof, one 5/16" fender washer, another 5/16" flat washer, and one M8 lock nut, in that order, as shown.



Step 7

- Go back and tighten all hardware including hardware on the rack itself.

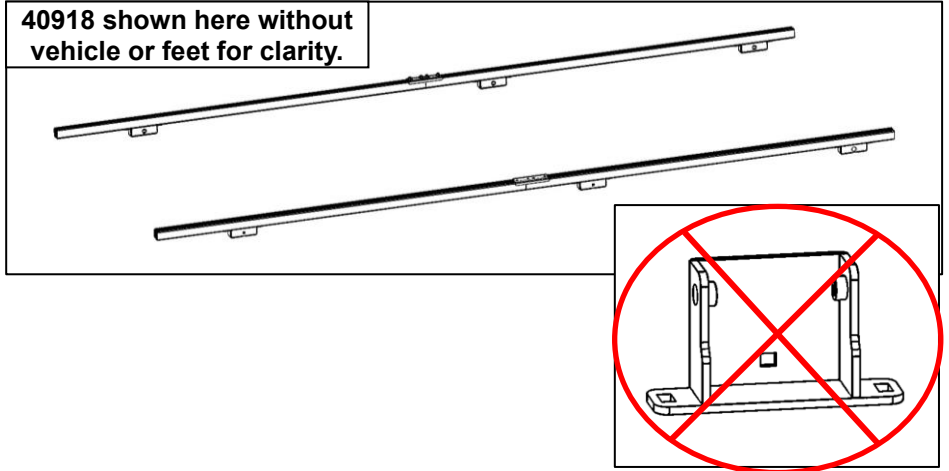
INSTALLATION AND ASSEMBLY ARE COMPLETE.

ProMaster

Step 5

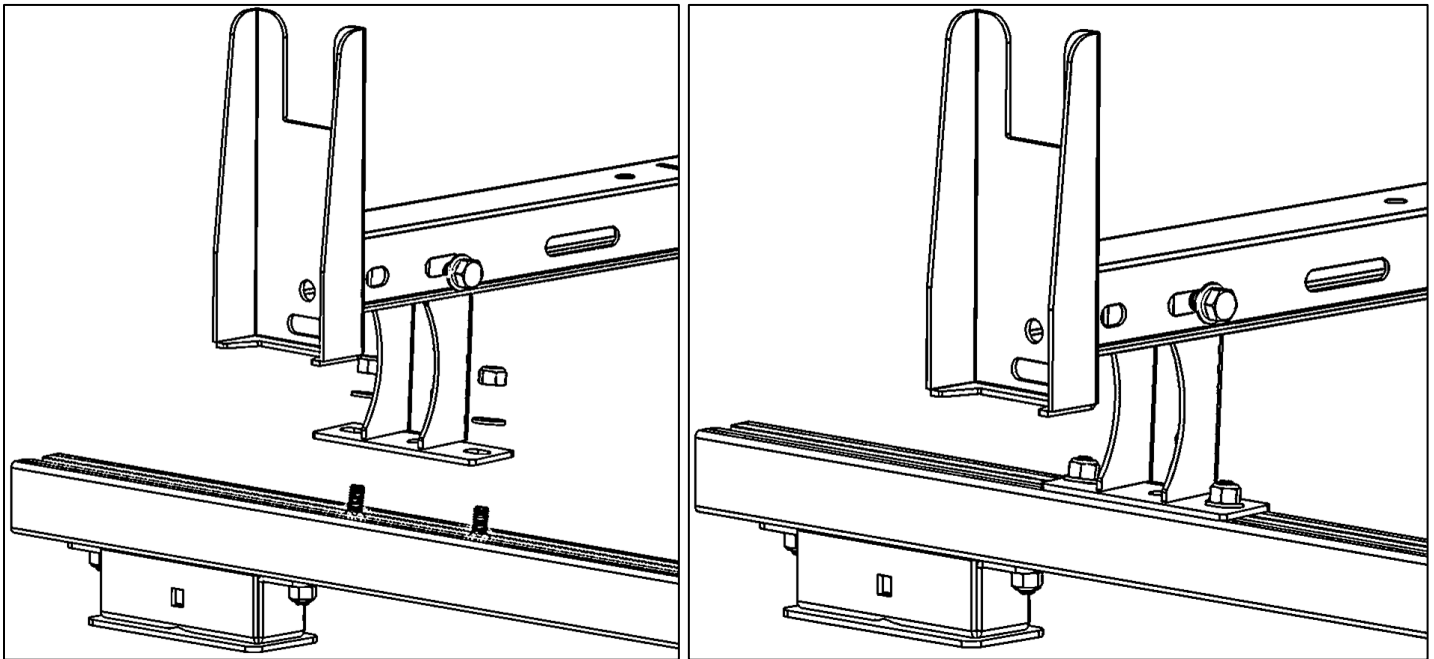
- Install 40918 per steps 1-3 of the 40918 installation instructions, then return to this document.
- Discard the feet that come with 40918. The feet included in 4A821 will be used instead.

40918 shown here without vehicle or feet for clarity.



Step 6

- For each foot, slide two 5/16" x 3/4" carriage bolts into the top slot of the extrusion.
- Set foot onto extrusion aligning carriage bolts with mounting blocks.
- Using two 5/16" washers and 5/16" lock nuts, bolt extrusion to mounting blocks.
- Snug tighten but allow for movement.



Step 7

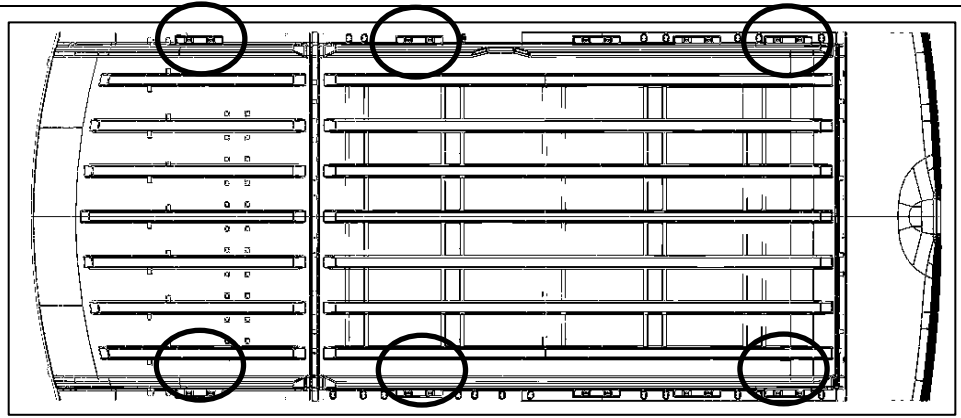
- Go back and tighten all hardware including hardware on the rack itself.

INSTALLATION AND ASSEMBLY ARE COMPLETE.

NV

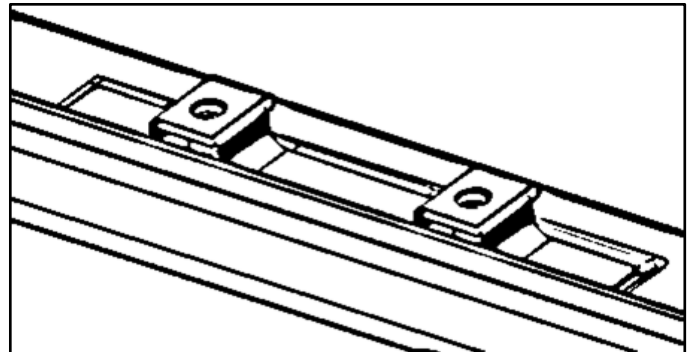
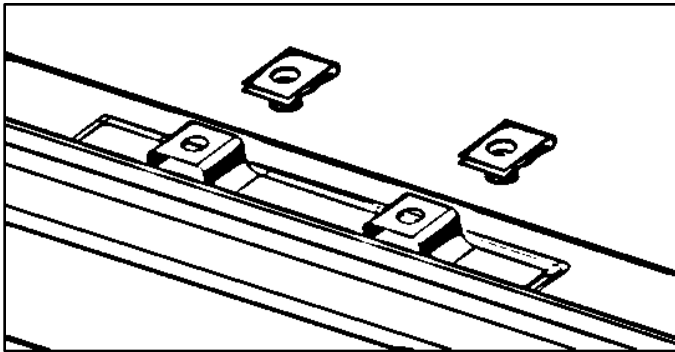
Step 5

- Locate 4 mounting locations on roof for the crossbars to be installed.



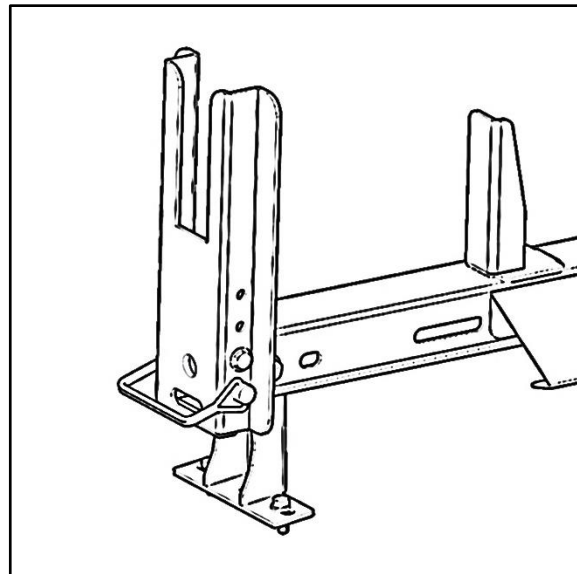
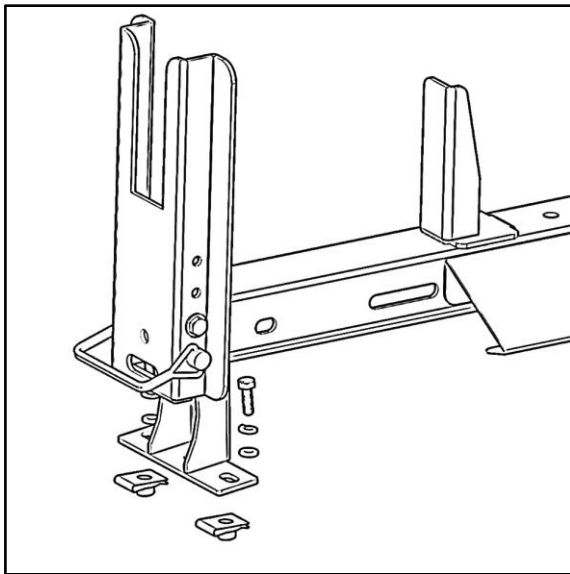
Step 6

- Install M8 U-Nuts as shown.



Step 7

- Bolt through the mount foot into the previously installed M8 U-nuts using M8 x 20mm hex head bolt, 5/16" lock washer, and 5/16" flat washer.



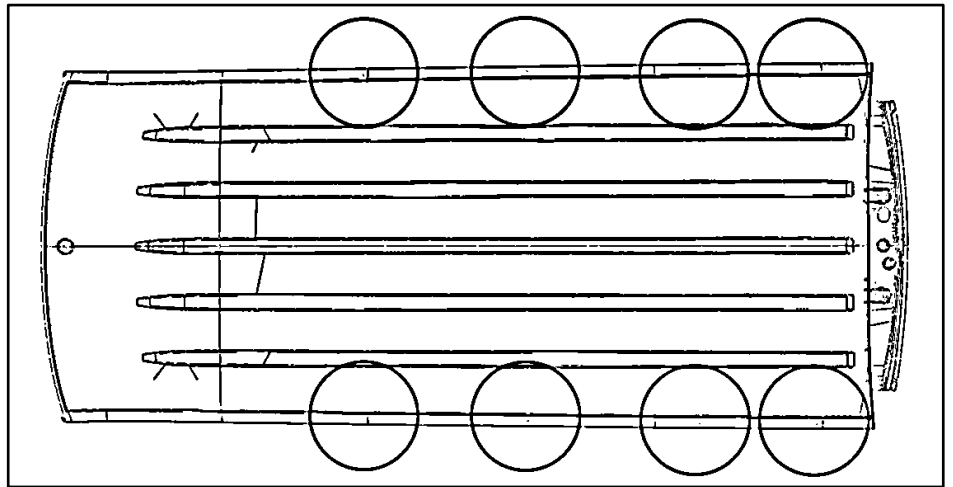
- Go back and tighten all hardware including hardware on the rack itself.

INSTALLATION AND ASSEMBLY ARE COMPLETE.

Transit Connect

Step 5

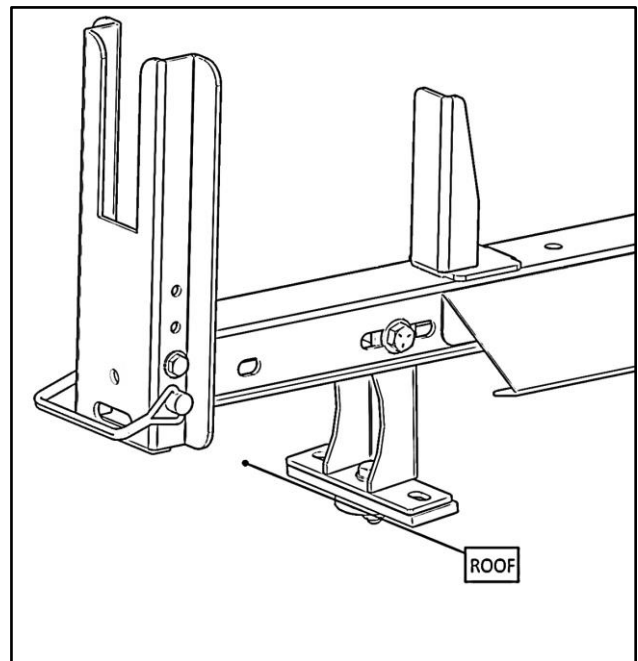
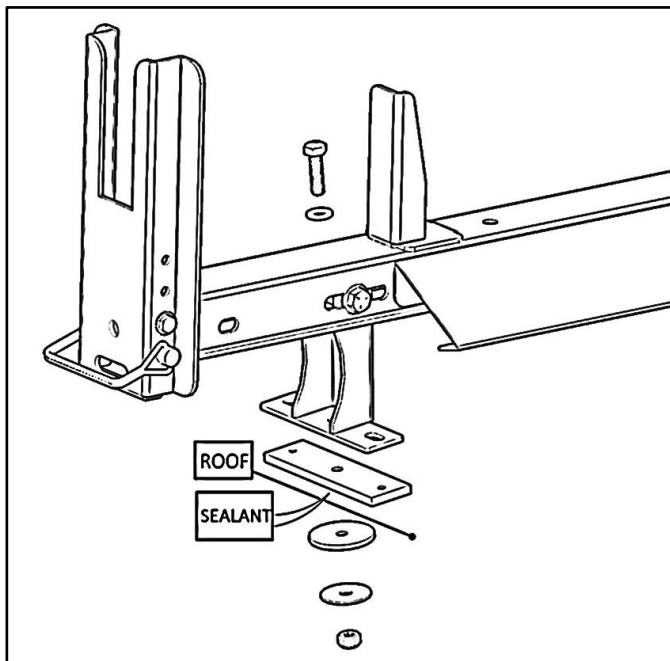
- Locate 4 mounting locations in roof for the crossbars to be installed.
- Remove plugs from ONLY the desired mounting locations in roof.



Step 6

NOTE: Be sure to put a rubber spacer in between mount foot and roof of van as shown below. The roof goes in between rubber spacer and rubber washer.

- Place sealant between rubber spacer and roof of van and around threads to ensure no water leaks into van.
- Bolt through the mount foot into the exposed holes in roof using one M8 x 30mm hex head bolt, one 5/16" flat washer, a rubber pad above roof, a rubber washer inside of roof, one 5/16" fender washer, and one M8 lock nut, in the order shown.



Step 7

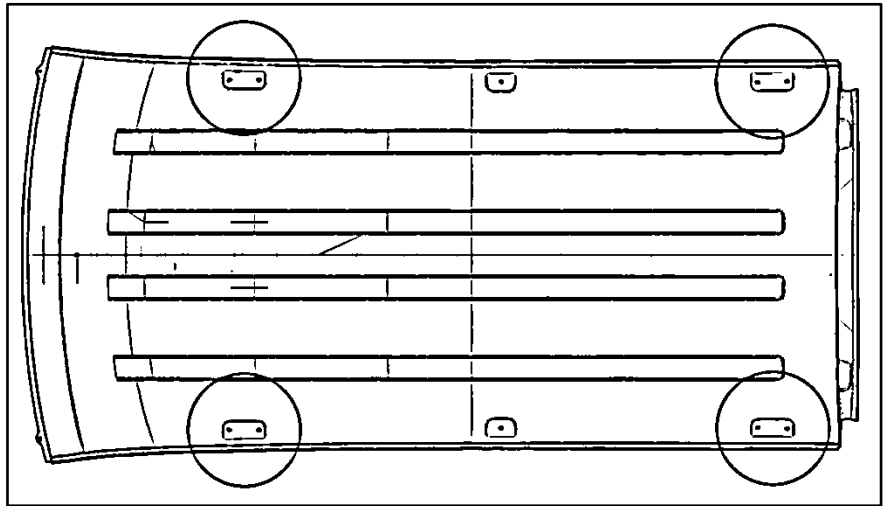
- Go back and tighten all hardware including hardware on the rack itself.

INSTALLATION AND ASSEMBLY ARE COMPLETE.

ProMaster City

Step 5

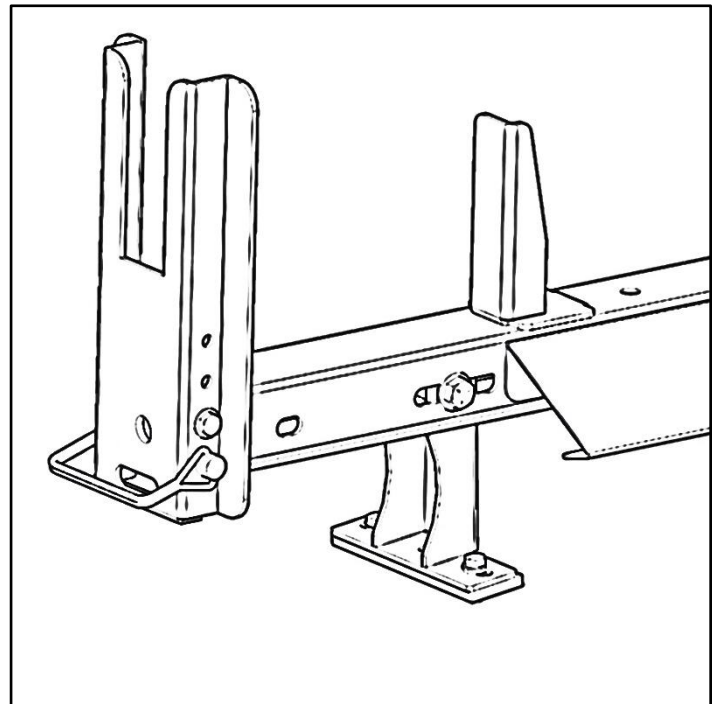
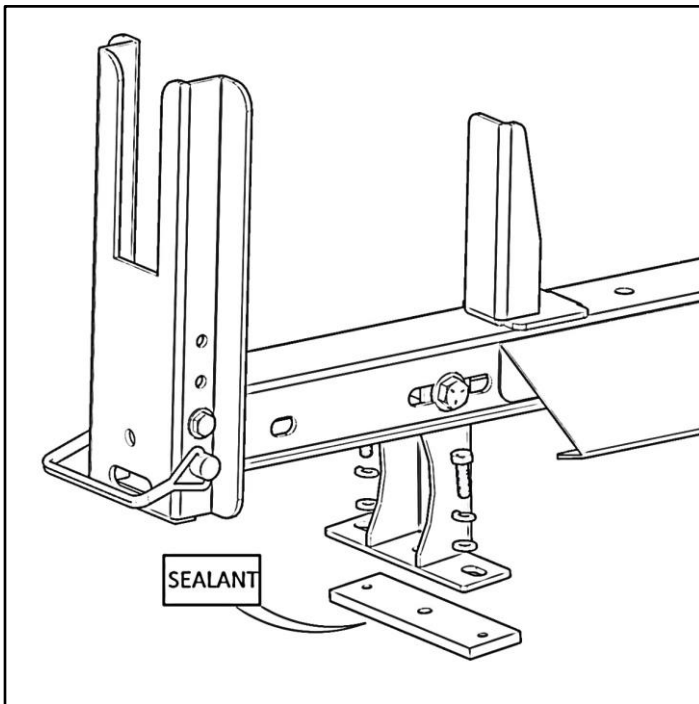
- Locate 4 mounting locations on roof for the crossbars to be installed.
- Remove plugs from ONLY the desired mounting location in roof.



Step 6

NOTE: Be sure to put a rubber spacer in between mount foot and roof of van as shown below.

- Place sealant between rubber spacer and roof of van and around threads to ensure no water leaks into van.
- Bolt through the mount foot into the exposed holes in roof using one M6 x 22mm hex head bolt, one 1/4" lock washer, one 1/4" flat washer, and a rubber spacer, in the order shown.



Step 7

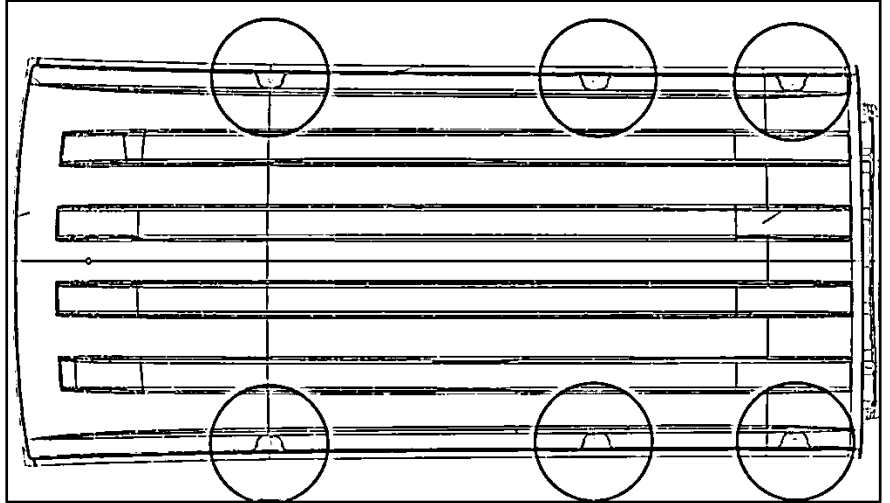
- Go back and tighten all hardware including hardware on the rack itself.

INSTALLATION AND ASSEMBLY ARE COMPLETE.

NV200/Chevy City Express

Step 5

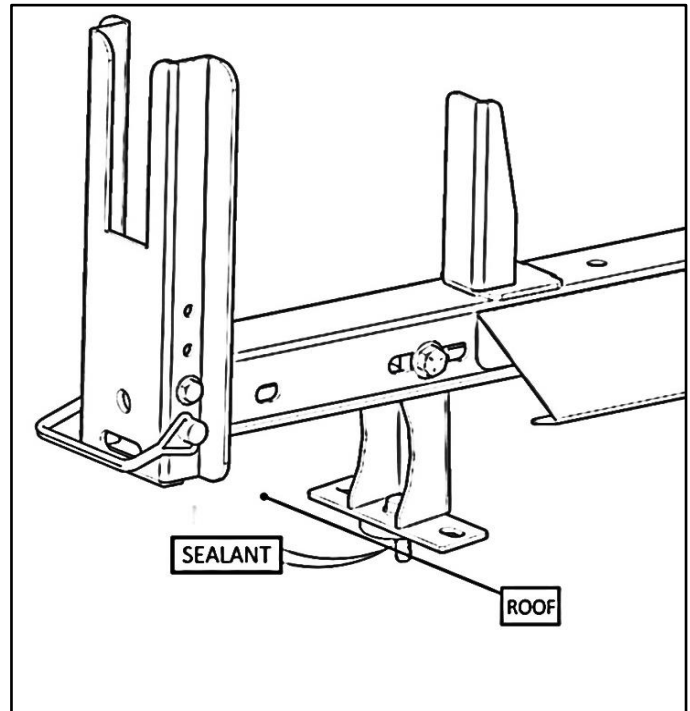
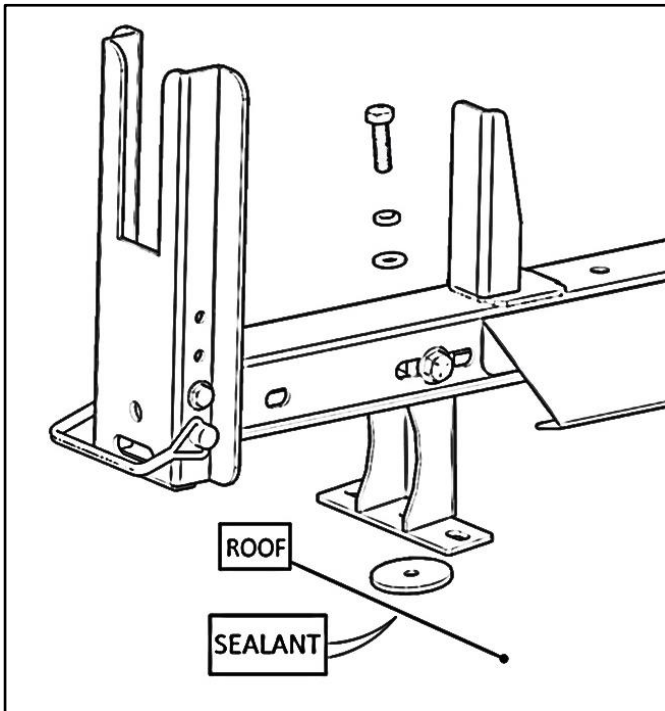
- Locate 4 mounting locations on roof for the crossbars to be installed.
- Remove plugs from ONLY the desired mounting location in roof.



Step 6

NOTE: Be sure to put a rubber washer in between mount foot and roof of van as shown below.

- Place sealant between rubber spacer and roof of van and around threads to ensure no water leaks into van.
- Bolt through mount foot into the exposed holes in roof using one M8 x 30mm hex head bolt, one 5/16" lock washer, one 5/16" flat washer, and a rubber washer, in the order shown.



Step 7

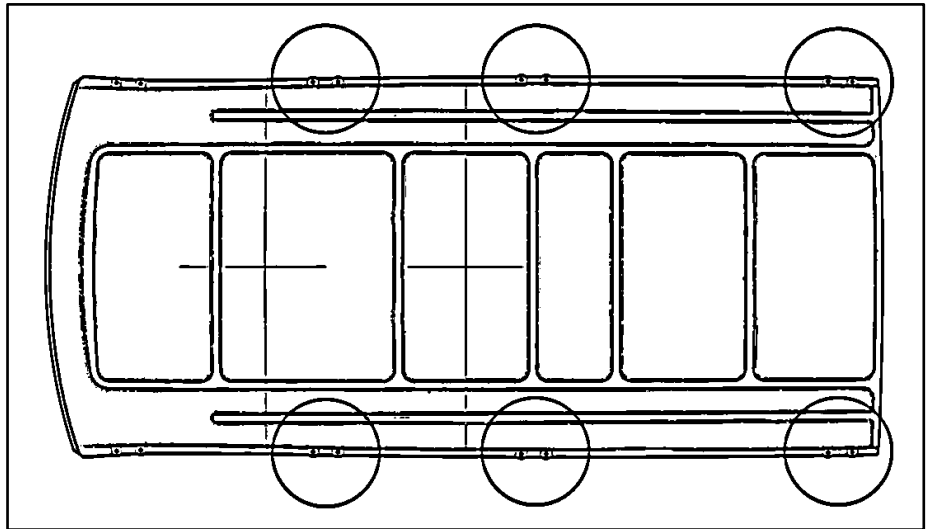
- Go back and tighten all bolts including nuts and bolts on the rack itself.

INSTALLATION AND ASSEMBLY ARE COMPLETE.

Metris

Step 5

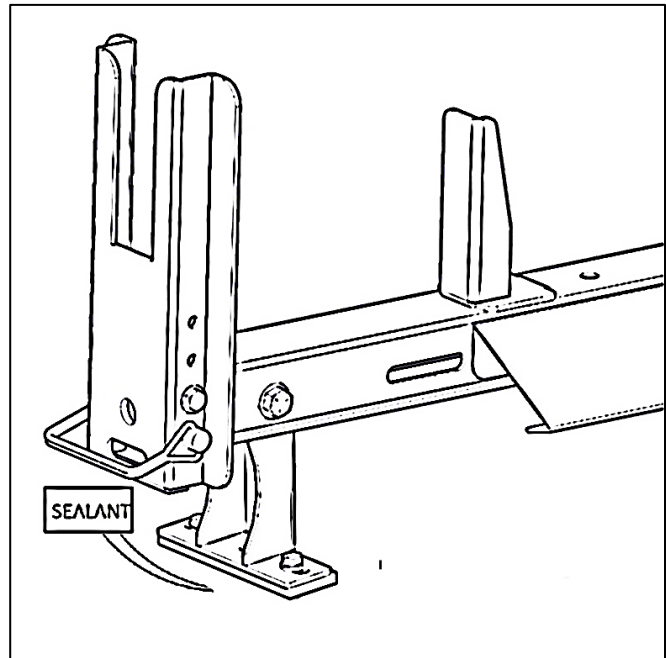
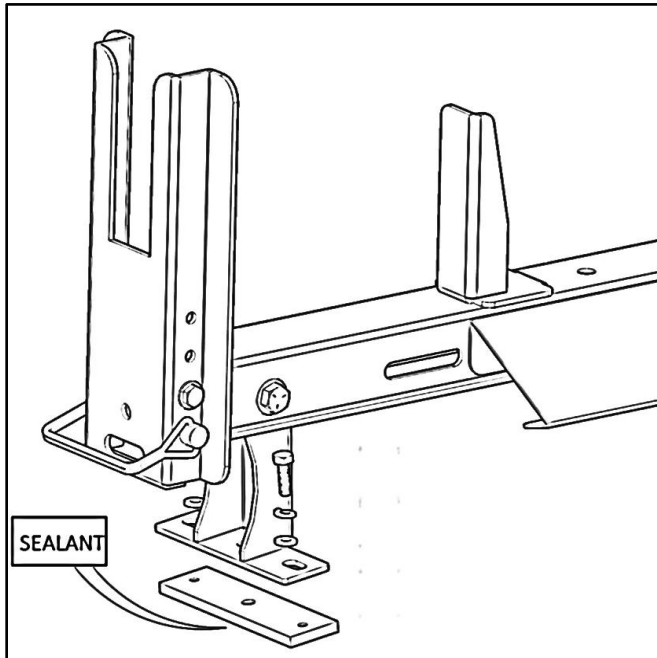
- Locate 4 mounting locations on roof for the crossbars to be installed.
- Remove plugs from ONLY the desired mounting location in roof.



Step 6

NOTE: Be sure to put a rubber spacer in between mount foot and roof of van as shown below.

- Place sealant between rubber spacer and roof of van and around threads to ensure no water leaks into van.
- Bolt through the mount foot into the exposed holes in roof using one M6 x 22mm hex head bolt, one 1/4" lock washer, one 1/4" flat washer, and a rubber spacer, in the order shown.



Step 7

- Go back and tighten all hardware including hardware on the rack itself.

INSTALLATION AND ASSEMBLY ARE COMPLETE.