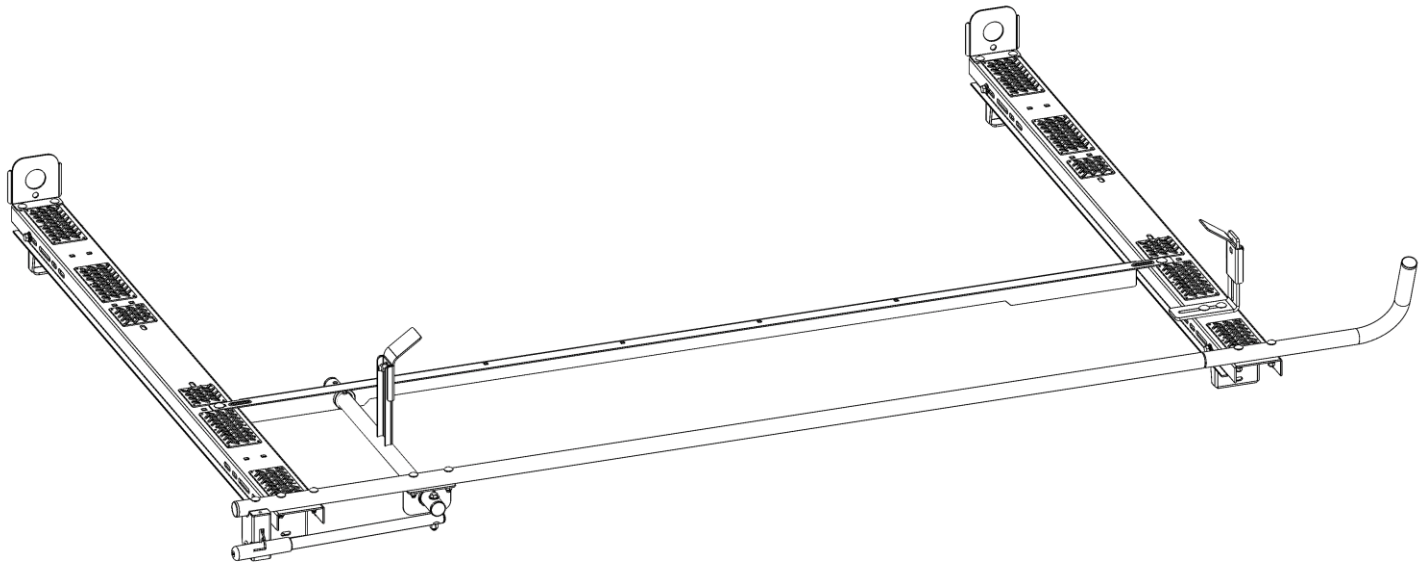


Holman

Instruction Guide

4A84L



Holman
Rancho Cordova, CA 95742
800-343-7486
InstallationSupport@holman.com

PLEASE READ ALL INSTRUCTIONS AND WARNINGS PRIOR TO ASSEMBLING, INSTALLING, AND USING THIS PRODUCT.

Warning



DO NOT EXCEED MANUFACTURERS WEIGHT CAPACITY FOR ROOF.



BE SURE LADDER IS SECURE PRIOR TO TRANSPORTATION. Ladder stops MUST press against ladder in all situations.

Tools Needed

1/2", 9/16" Sockets and Wrench	1/2", 9/16" Box Wrenches
--------------------------------	--------------------------

Table of Contents

Before You Begin 1

Parts 2

Hardware 3

Step 1 – Attach End Stops to Bow 5

Step 2 – Assemble Side Tube 5

Step 3 – Install Side Tube 6

Step 4 – Install Hanger Bracket 7

Step 5 – Install Clamp Tube 7

Step 6 – Install Latch Assembly 9

Step 7 – Attach Handle 9

Step 8 – Install Ladder Hook Bracket to Bow 10

Step 9 – Install Feet 10

Angle Pad Orientations and Locations 12

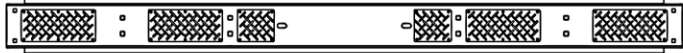



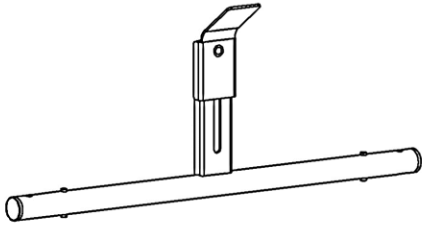
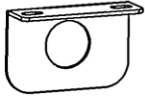

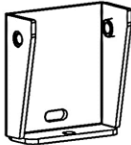
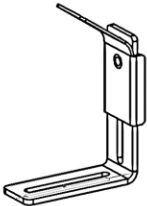

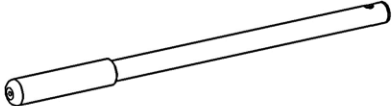
Clamp Mechanism Orientation and Angled Pad Positions 12

Examples of Ladder Clamps Firmly Against Ladder Rungs 12

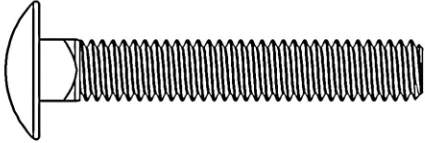
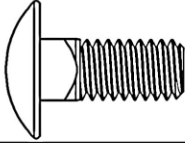
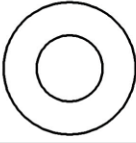

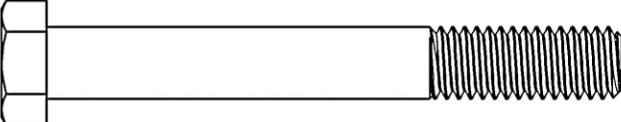
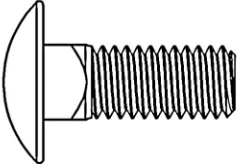
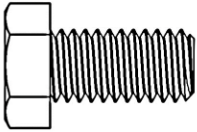
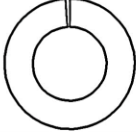
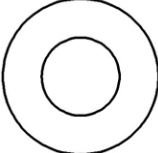
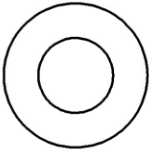
Before You Begin

- Read all instructions prior to assembling or installing any Holman product.
- **Always locate your installation locations prior to performing any work.**
- **DO NOT EXCEED MANUFACTURERS WEIGHT CAPACITY FOR ROOF.**
- **BE SURE TO ADJUST LADDER CLAMPS ACCORDINGLY TO SECURE LADDER FIRMLY TO RACK. To adjust, refer to Clamp and Lock adjustment guide.**

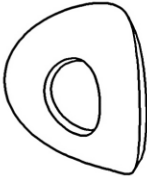

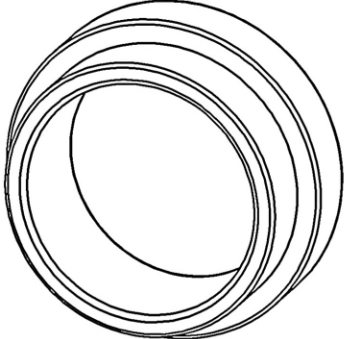
Parts

NO.	ITEM	PART NUMBER	DESCRIPTION	QTY.
1		4A800-00	BOW ASM	2
2		4A900-10-008	END STOP	2
3		4A800-52-R	SIDE SUPPORT BAR	1
4		4A800-84	SIDE TUBE ASSEMBLY	1
5		4A800-30	CLAMP TUBE	1
6		11-03027-A	HANGER ANGLE BRACKET	1
7		4A800-84-003	CLAMP AND LOCK L BRACKET	1
8		4A800-10	FOOT ASM	4
9		4A800-60	LADDER STOP ASSEMBLY	1
10		4A800-20	LATCH ASM	1
11		4A800-40	HANDLE	1
12		18-4A84L-A	ASSEMBLY BOLT KIT	1

Hardware

ITEM NO.	TO SCALE	PART NUMBER	DESCRIPTION	QTY.
1		90185A591	5/16"-18 x 2" Carriage Bolt	7
2		90185A581	5/16"-18 x 3/4" Carriage Bolt	4
3		90126A030	5/16" Flat Washer	11
4		95615A160	5/16"-18 Nyloc	11
5		91247A636	3/8"-16 x 3" Hex Head	1
6		90185A624	3/8"-16 x 1" Carriage Bolt	4
7		92240A622	3/8"-16 x 3/4" HH	8
8		92146A031	3/8" Split Lock Washer	8
9		90126A031	3/8" Flat Washer	13
10		90295A170	3/8" Nylon Washer	1

Hardware (Continued)

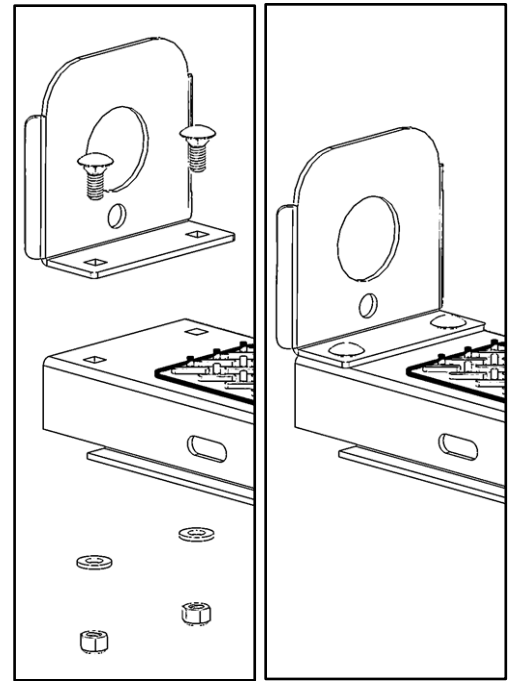
ITEM NO.	TO SCALE	PART NUMBER	DESCRIPTION	QTY.
11		91844A370	3/8" Curved Washer	1
12		95615A140	3/8"-16 Nyloc	5
13		11-03013	Nylon Bushing	2
14		BH-821	Sealant	1

DO NOT EXCEED MANUFACTURERS WEIGHT CAPACITY FOR ROOF

Step 1 – Attach End Stops to Bow

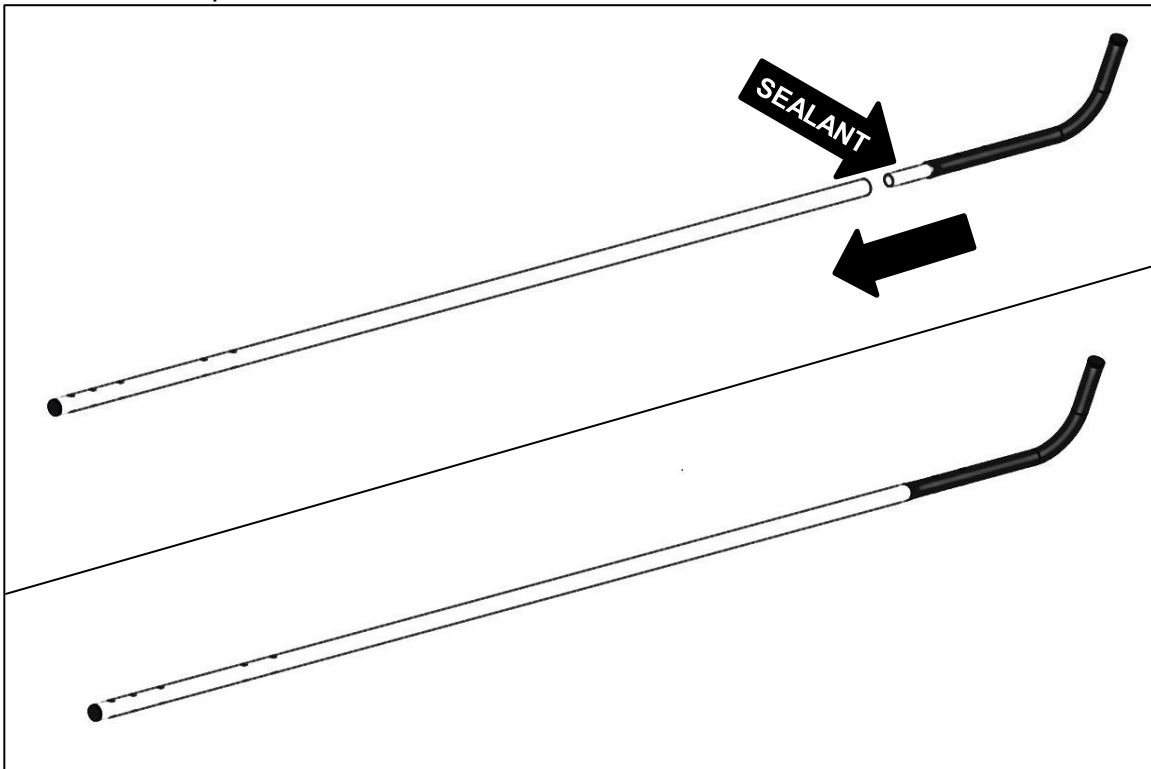
If installing driver side ladder rack, skip this step.

- Using two 5/16" carriage bolts, 5/16" washers and 5/16" lock nuts, bolt end stop to bow as shown. **Be sure carriage bolt is inserted downward.**
- Repeat for second bow.
- **TIGHTEN.**



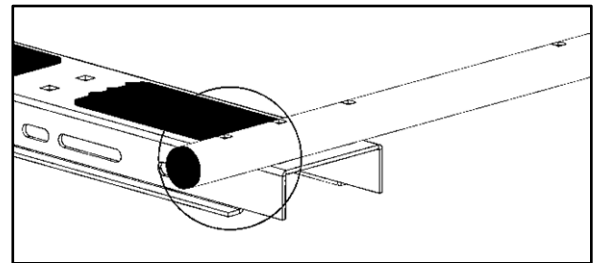
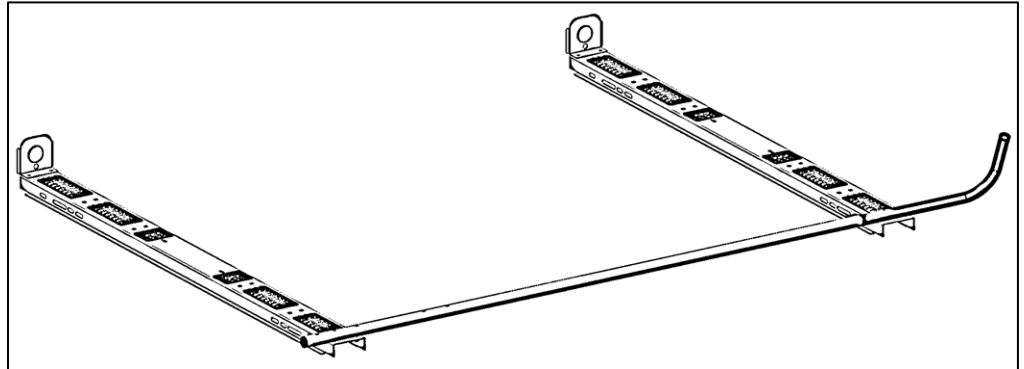
Step 2 – Assemble Side Tube

- Place sealant around swaged end of side support bar.
- Slide side support bar into side tube assembly. **Be sure the holes in each line up.**
- Proceed to next step while sealant is still workable.



Step 3 – Install Side Tube

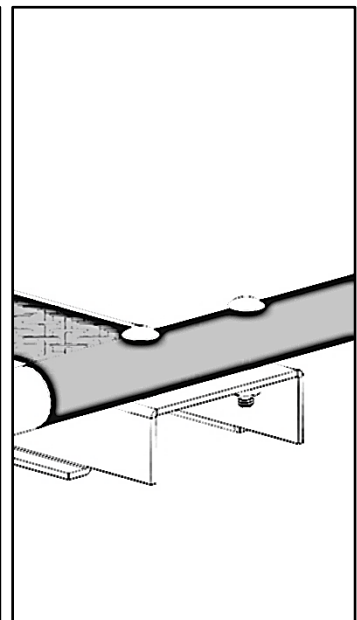
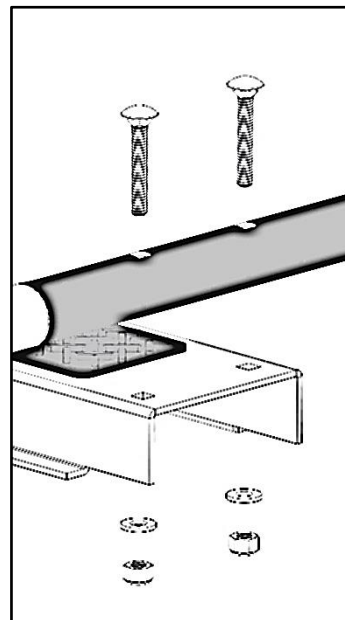
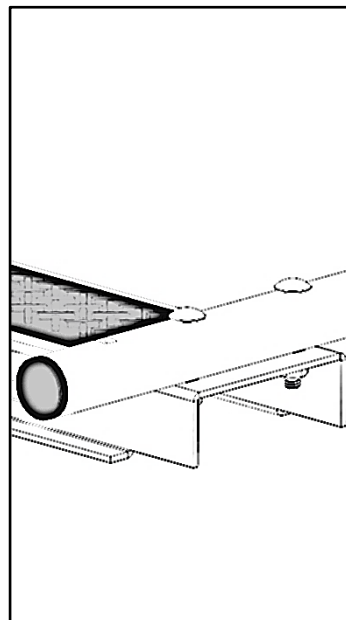
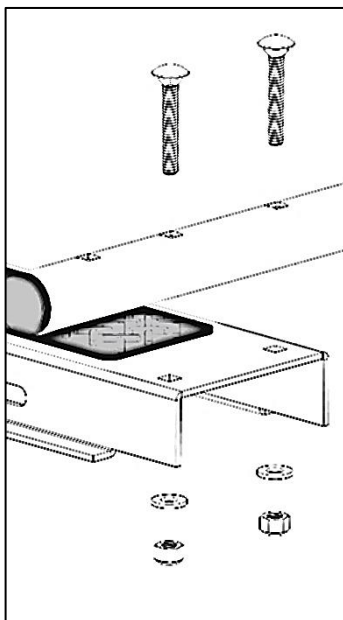
- Place side tube assembly on top of bows.
- Have the bend towards the front and to the outside of the vehicle as shown.
- In some applications, it is easier to assemble rack on top of vehicle.
- Leave one square slot open at the rear of the tube.



- At both the rear and front locations, using two 5/16" x 2" carriage bolts, 5/16" flat washers, and 5/16" lock nuts, attach side tube assembly to the bows.
- Snug tighten, but allow movement.

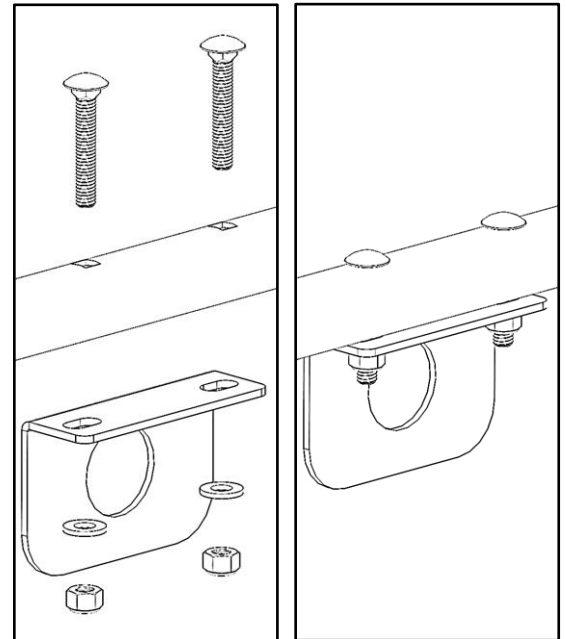
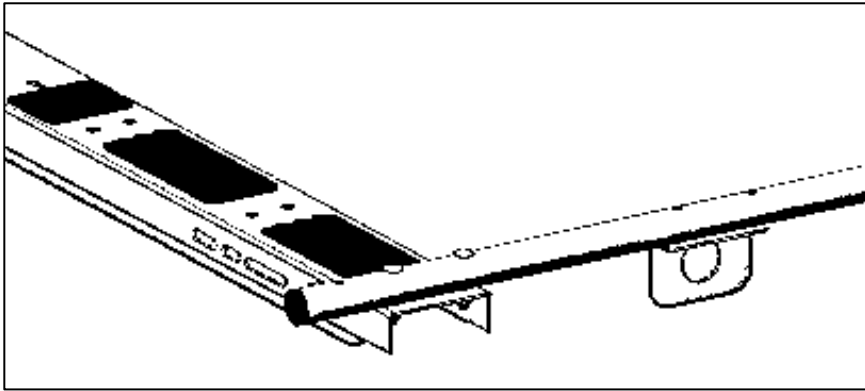
Rear

Front



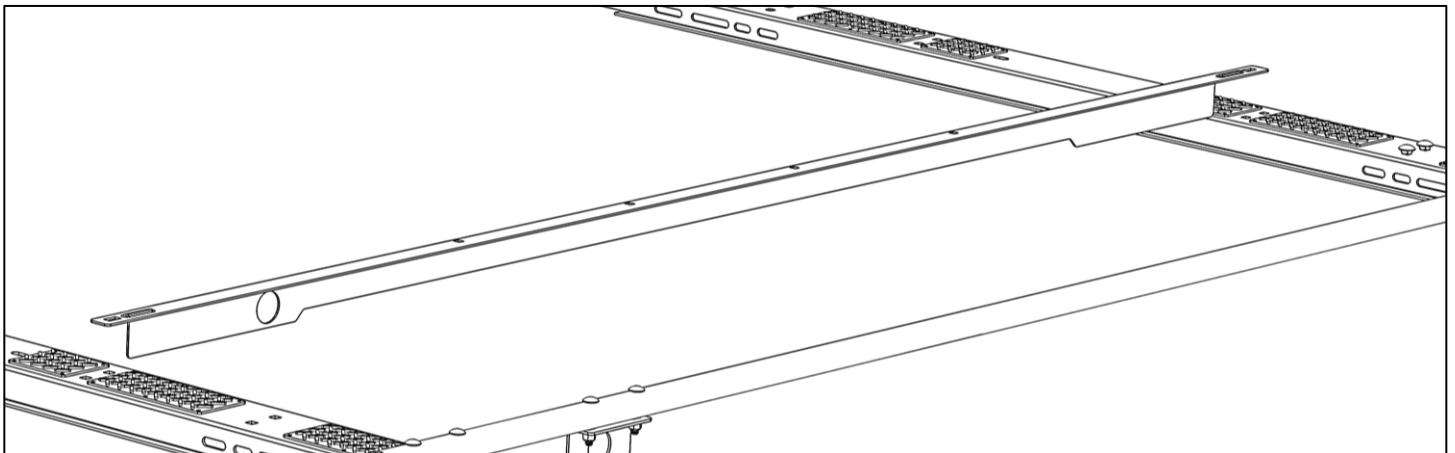
Step 4 – Install Hanger Bracket

- Using two 5/16" x 2" carriage bolts, 5/16" flat washers and 5/16" lock nuts, bolt the hanger bracket to the side tube as shown. **Be sure to have the bracket flange towards the inside of the bows.**

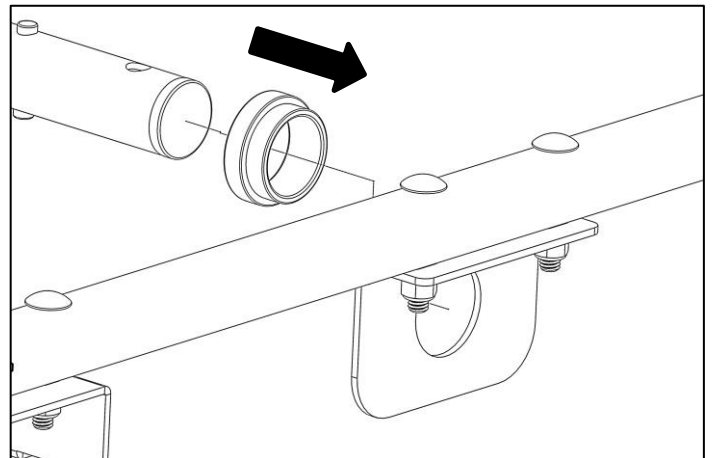
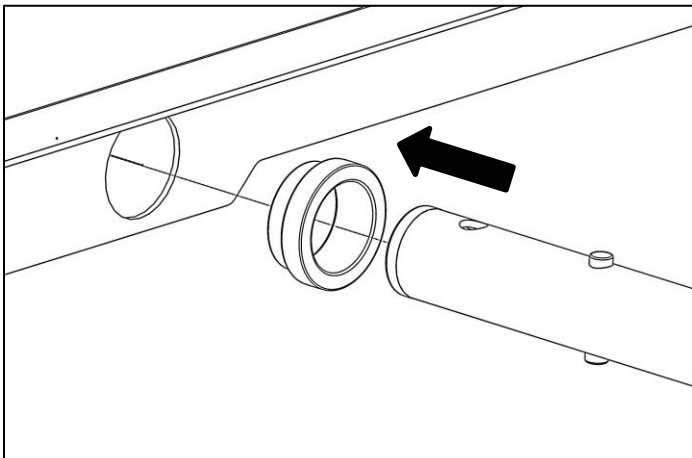


Step 5 – Install Clamp Tube

- Place "L" bracket on top of installed bows.

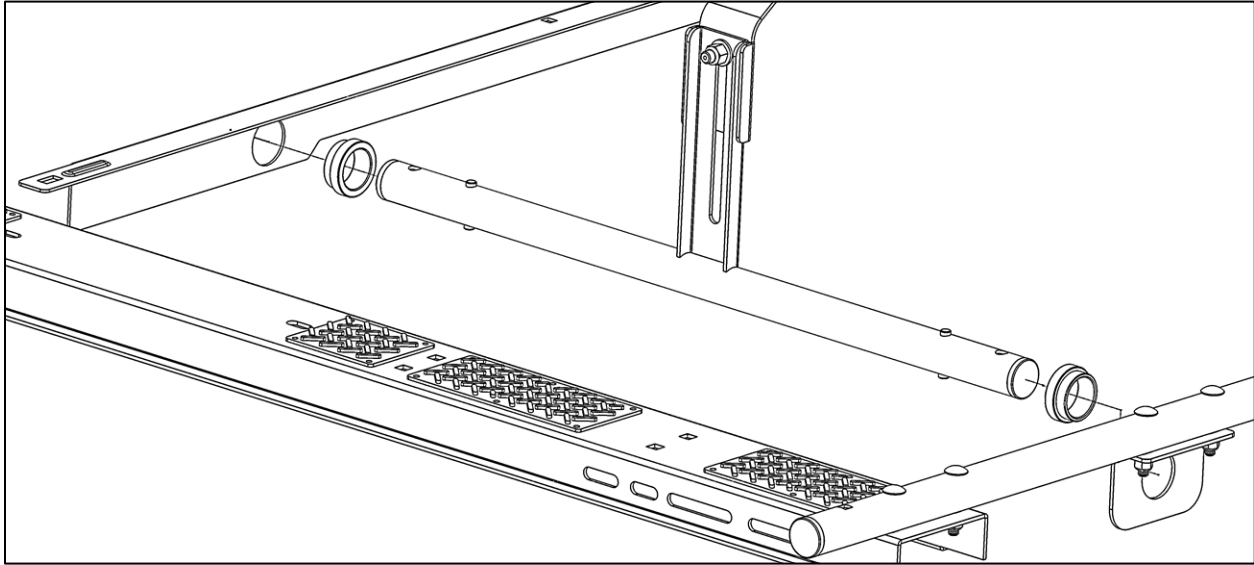


- Insert plastic bushings into holes in the L-bracket and hanger bracket, as shown.

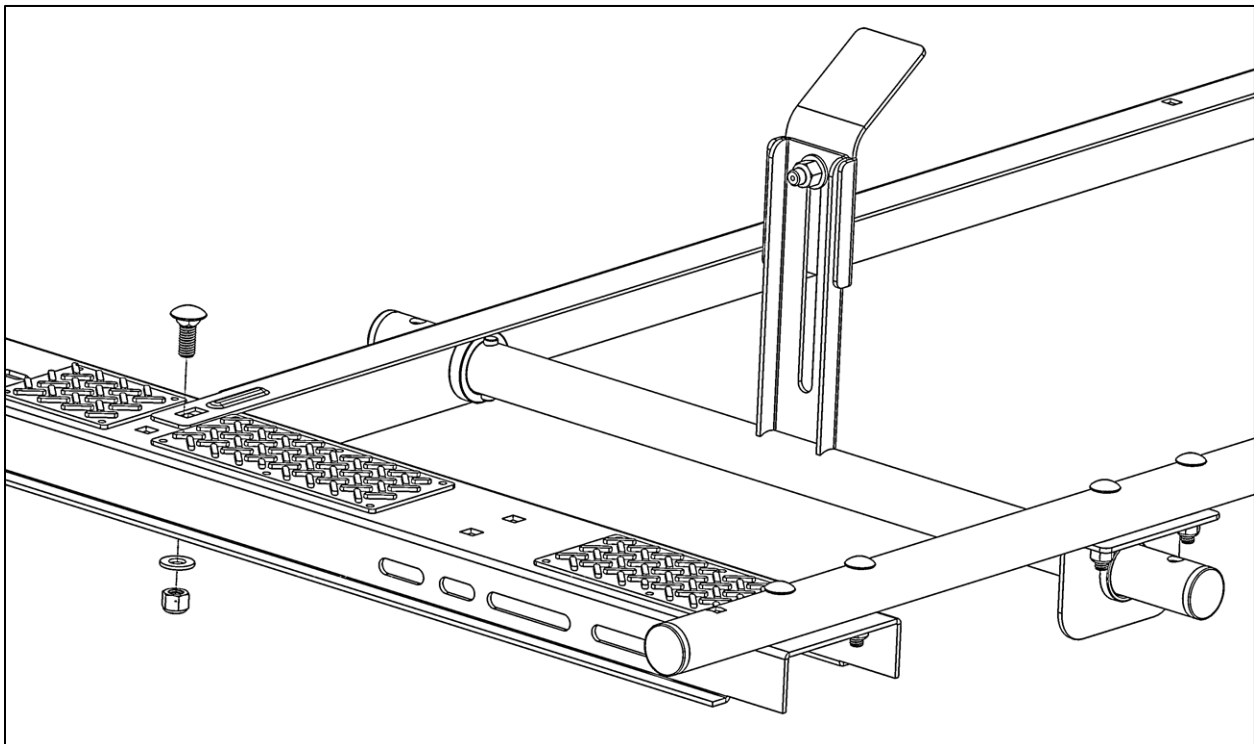


- Insert clamp tube with bushings into L-bracket and hanger bracket installed in Step 3. **Be sure flanges on bushing are toward each other and are oriented toward inside so they CANNOT fall out, as shown.**
- Insert clamp tube into both plastic bushings.

Ladder clamp on the clamp tube is adjustable. When finished installing rack, clamp must be adjusted to fit firmly against ladder.

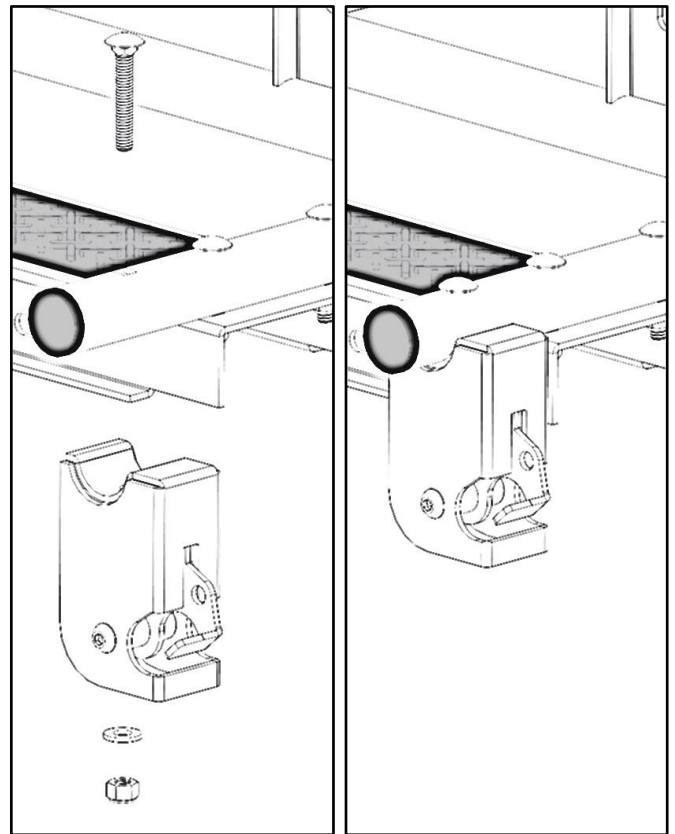


- Bolt clamp and lock L bracket to bow using a 3/8" x 1" carriage bolt, 3/8" flat washer and a 3/8" lock nut as shown.
- Repeat on second bow.
- **TIGHTEN.**



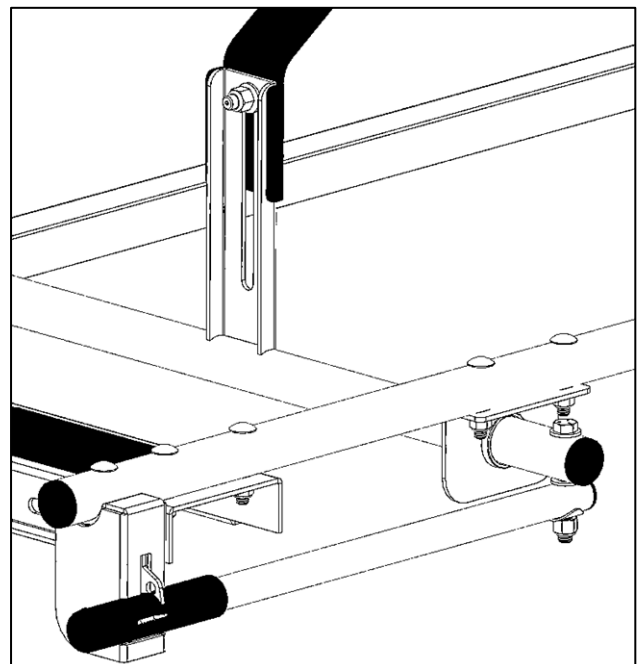
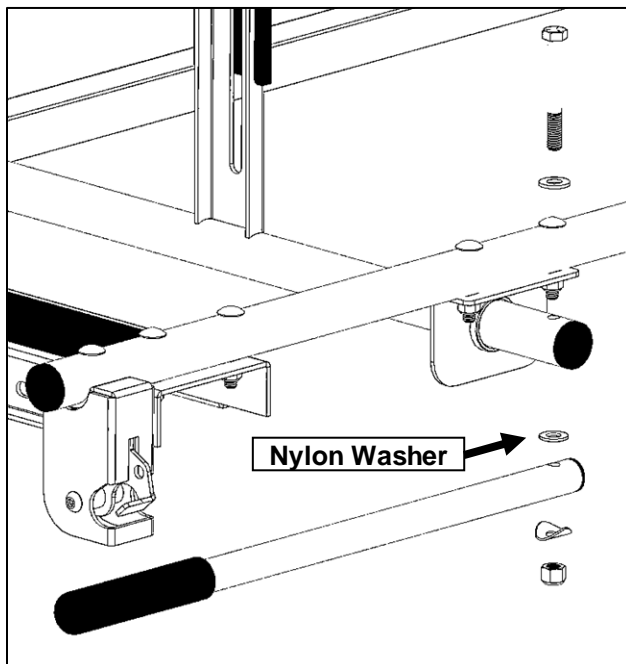
Step 6 – Install Latch Assembly

- Using a 5/16" x 2" carriage bolt, 5/16" flat washer and 5/16" lock nut, bolt latch to the rear of the mount tube that was installed in Step 3.
- **TIGHTEN.**



Step 7 – Attach Handle

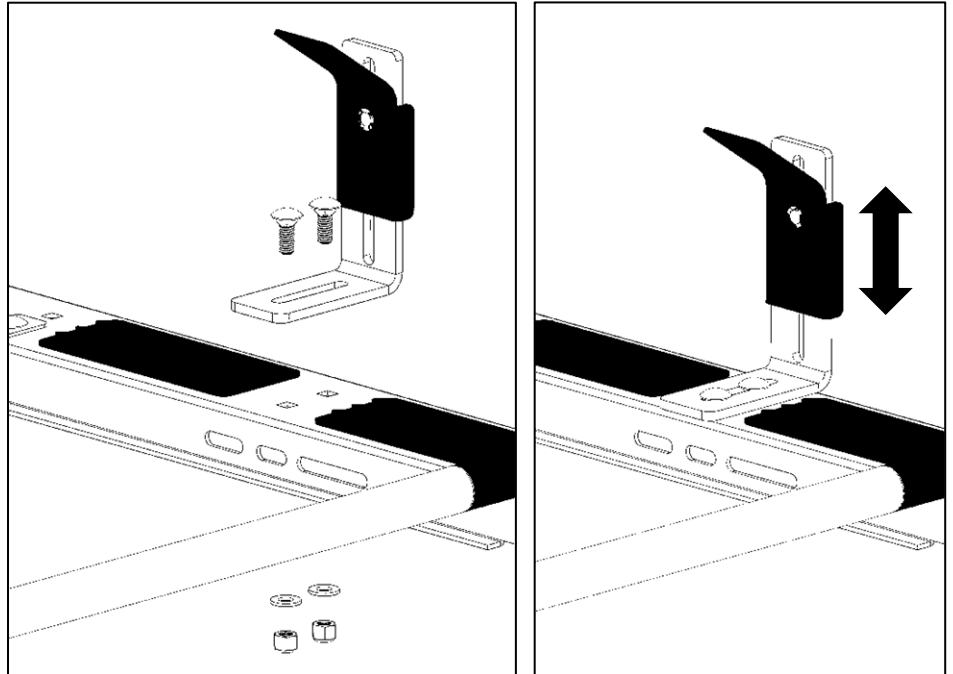
- Using a 3/8" x 3" hex head bolt, 3/8" flat washer, 3/8" nylon washer, a 3/8" curved washer and 3/8" lock nut, bolt handle to clamp tube. The nylon washer goes in between the clamp tube and handle. The curved washer goes between the handle and the lock nut as shown.
- **TIGHTEN** but **DO NOT** overtighten. Handle should move freely.



Step 8 – Install Ladder Hook Bracket to Bow

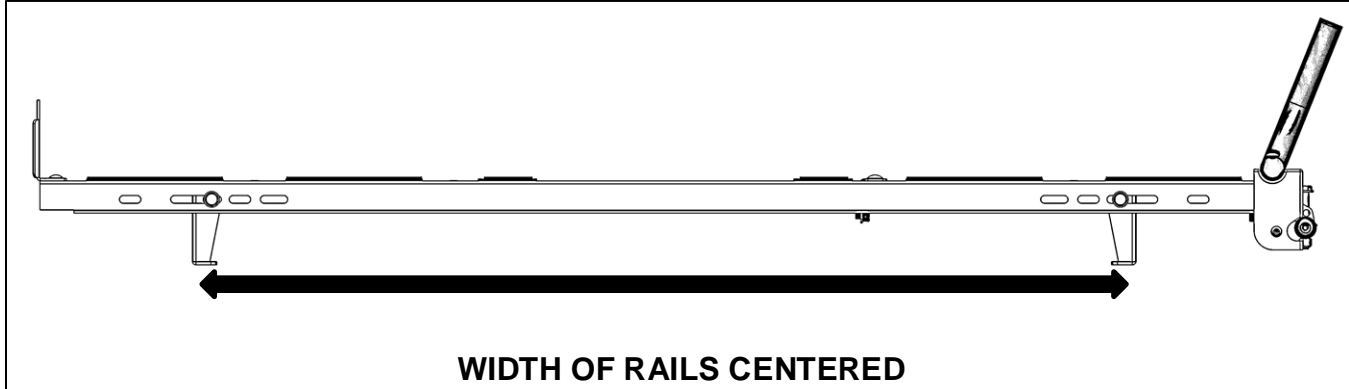
- Using two 3/8" x 1" carriage bolts, 3/8" flat washers and 3/8" lock nuts, bolt ladder hook bracket to the bow in the orientation shown. **Be sure the bracket is square to the bow.**
- **TIGHTEN.**

Ladder clamp on the ladder stop assembly is adjustable. When finished, clamp must be adjusted to fit firmly against your ladder.

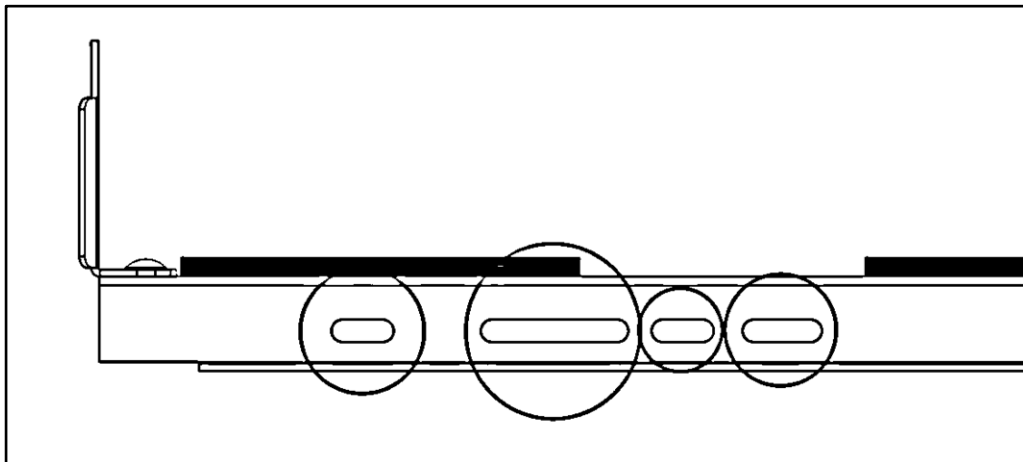


Step 9 – Install Feet

- Measure width between mounting locations.

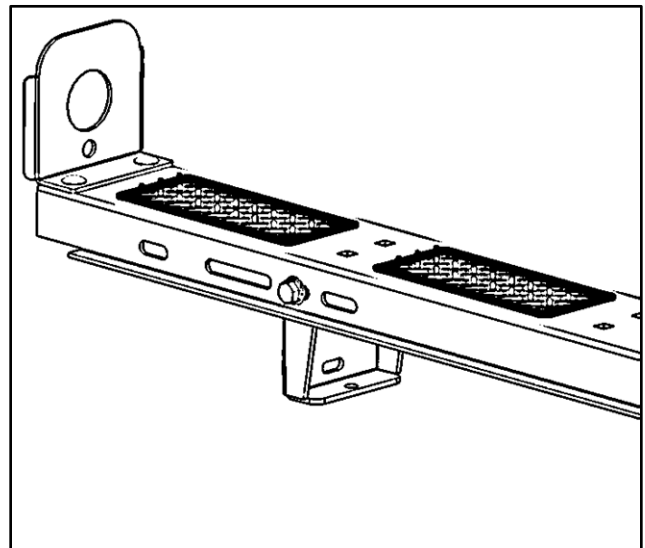
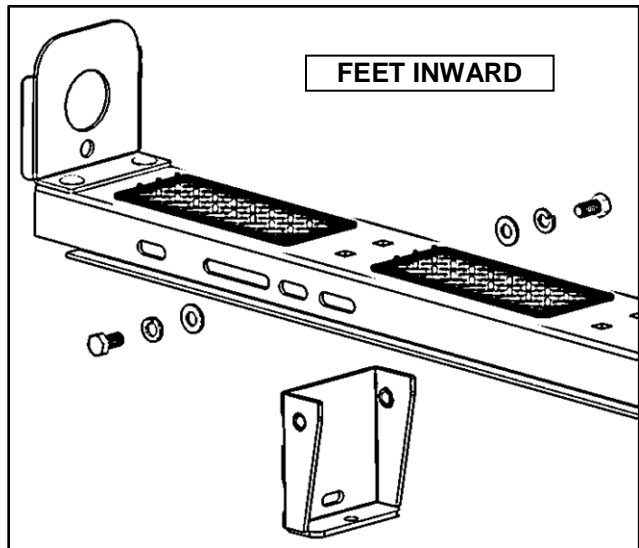
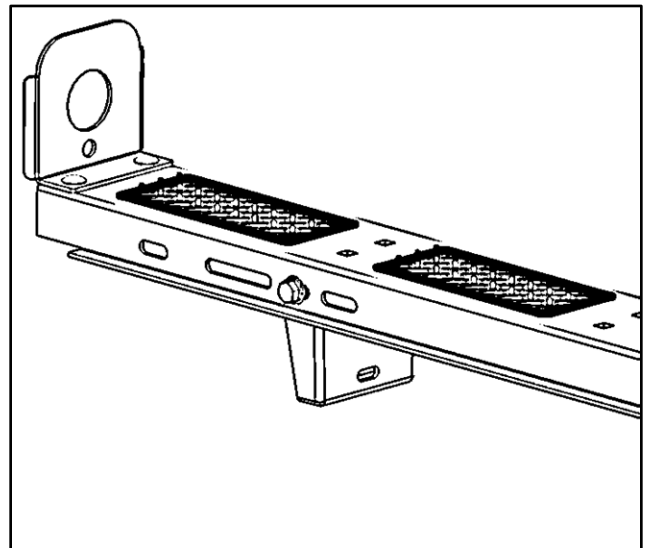
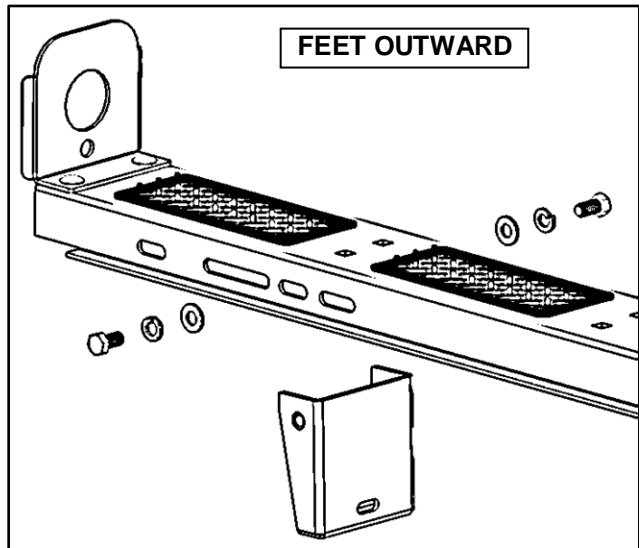


- On the cross bows, use the slots that correspond to the measured distance between rails.



Feet can be installed outward as shown below or reverse depending on the roof mounting.

- Using 3/8" x 3/4" hex head bolts, 3/8" lock washers and 3/8" flat washers, bolt foot to cross member.
- Snug tighten, but allow movement.



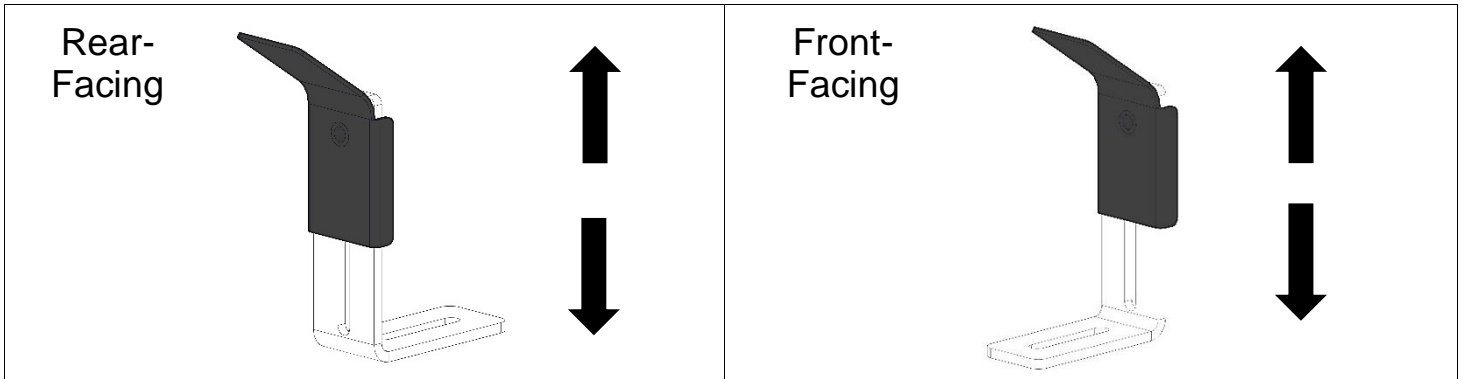
Refer to the Clamp and Lock Adjustment instructions to adjust the rack to your ladder.

GO BACK AND ENSURE ALL HARDWARE IS TIGHT.

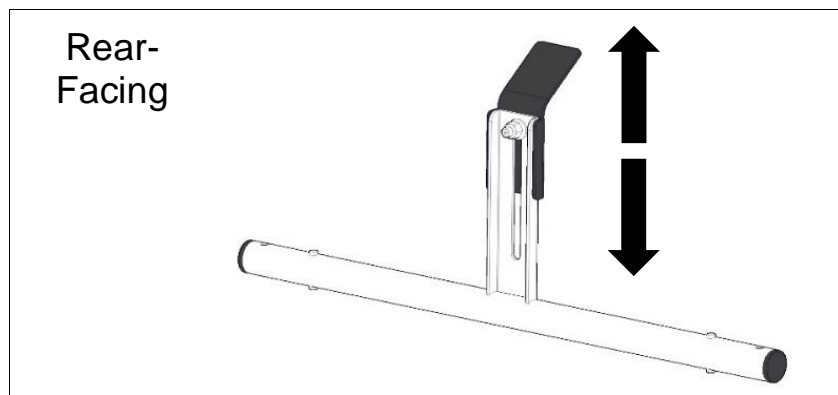
Your installation is now complete.

BE SURE LADDER IS SECURE PRIOR TO TRANSPORTATION.

Angle Pad Orientations and Locations

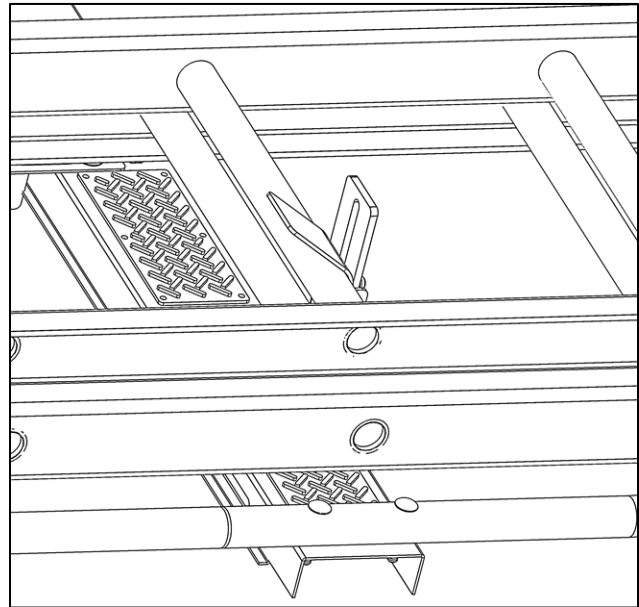
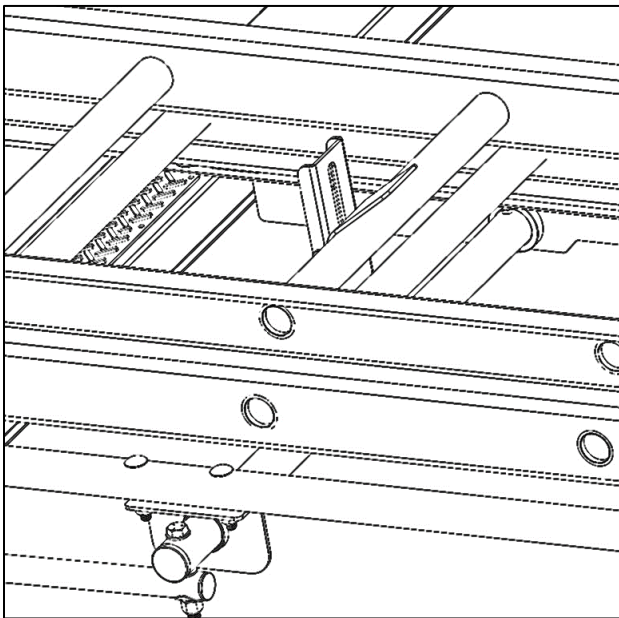


Clamp Mechanism Orientation and Angled Pad Positions



Examples of Ladder Clamps Firmly Against Ladder Rungs

- Be sure to position the ladder hook in a way so the hook clamps the ladder tight into place. A tight fit ensures the ladder cannot fall off the rack.



BE SURE THE LADDER HOOKS ARE FIRMLY AGAINST THE LADDER STEPS OR RUNGS.