

# KARGO MASTER®

**WE PUT EVERYTHING WITHIN REACH.**

## Plus Nut Installation Guide

**\*PLEASE READ ALL INSTRUCTIONS AND WARNINGS PRIOR TO ASSEMBLING, INSTALLING, AND USING ANY KARGO MASTER PRODUCT.\***

### Warning



Always check for wires, fuel tanks and lines, brake lines and other important vehicle functionality items prior to drilling and installing all products.



**DO NOT EXCEED MANUFACTURERS WEIGHT CAPACITY FOR ROOF OR TRUCK BED.**

### Tools Needed

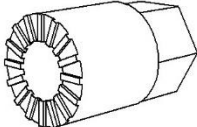
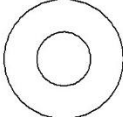
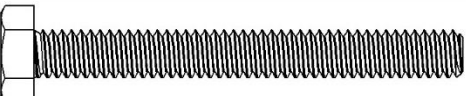
7/16" Socket and Socket Wrench	9/16" Box Wrench
25/64" Drill Bit	Hand Drill

### Before You Begin

- Read all product assembly and installation instructions prior to installing any plus nuts.
- Always locate your installation locations prior to performing any work.
- **ENSURE SAFETY WHILE INSTALLING OR DRILLING INTO VEHICLE.**

Kargo Master  
Rancho Cordova, CA 95742  
800-343-7486  
CustomerService@KargoMaster.com

**Hardware**

ITEM	HARDWARE TO SCALE	PART NUMBER	DESCRIPTION	QTY.
1		HW0002	PLUS NUT INSTALLATION TOOL	1
2		11541082	1/4" FLAT WASHER	1
3		0144537	1/4"-20 X 2-1/4" HEX HEAD SCREW	1

**Plus Nut Installation**

- Drill hole using 25/64" drill bit. If 25/64" drill bit is not available, a 3/8" drill bit can be used, although it may be necessary to tap in the plus nuts.
- Screw 1/4" x 2-1/4" hex head bolt through 1/4" flat washer and plus nut installation tool, and then into plus nut. Knurled end of plus nut tool must be directed away from bolt head and contacting plus nut.
- Insert plus nut into hole.
- Using the 9/16" box wrench, hold the plus nut tool stationary and then tighten hex head bolt until plus nut is tightly gripping and does not spin when hex bolt is loosened.

