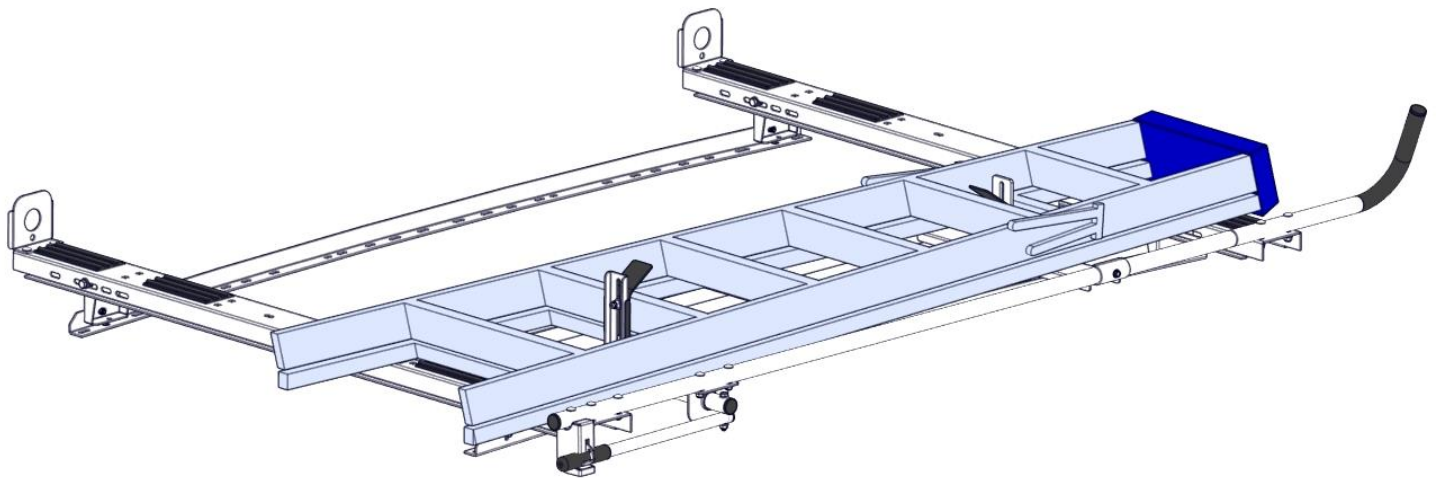


Holman

Ladder Hook Adjustment Guide



Holman
Rancho Cordova, CA 95742
800-343-7486

InstallationSupport@Holman.com

**PLEASE READ ALL INSTRUCTIONS AND WARNINGS PRIOR TO ASSEMBLING,
INSTALLING, AND USING THIS PRODUCT.**

Warning



Always check for wires, fuel tanks and lines, brake lines and other important vehicle functionality items prior to drilling and installing all products.



DO NOT EXCEED MANUFACTURERS WEIGHT CAPACITY FOR ROOF.

Tools Needed

9/16" Box Wrench

Table of Contents

Before You Begin.....	1
Adjustment Instructions	2
Clamp Mechanism Orientation and Angled Pad Positions	6
Examples of Ladder Clamps Firmly Against Ladder Rungs	6

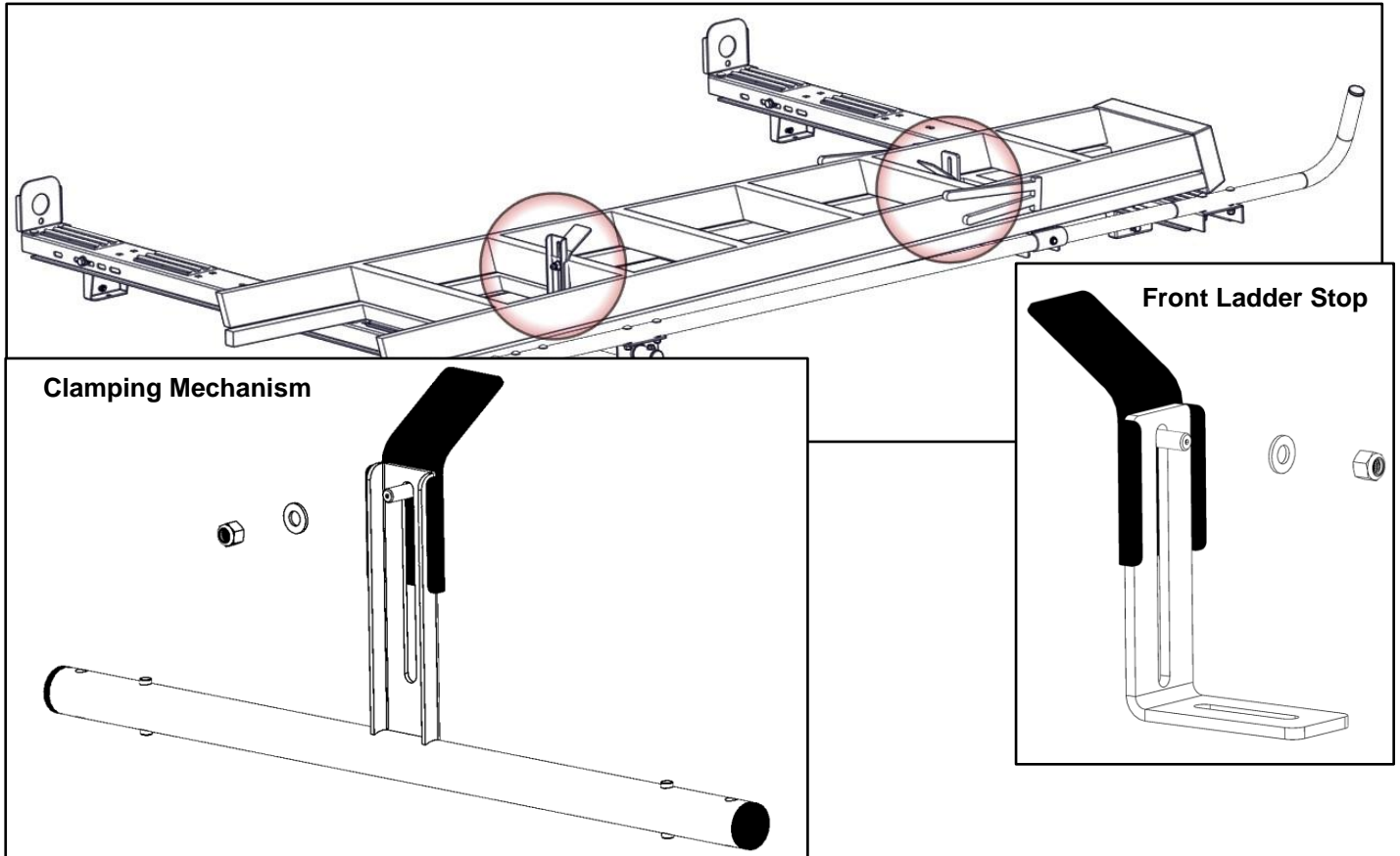
Before You Begin

- Read all instructions before installing or adjusting any Holman rack or accessory.
 - Different ladders will use a variety of different hook mounting locations and orientations.
 - **Ensure the ladder is securely held to rack prior to transportation.**
-

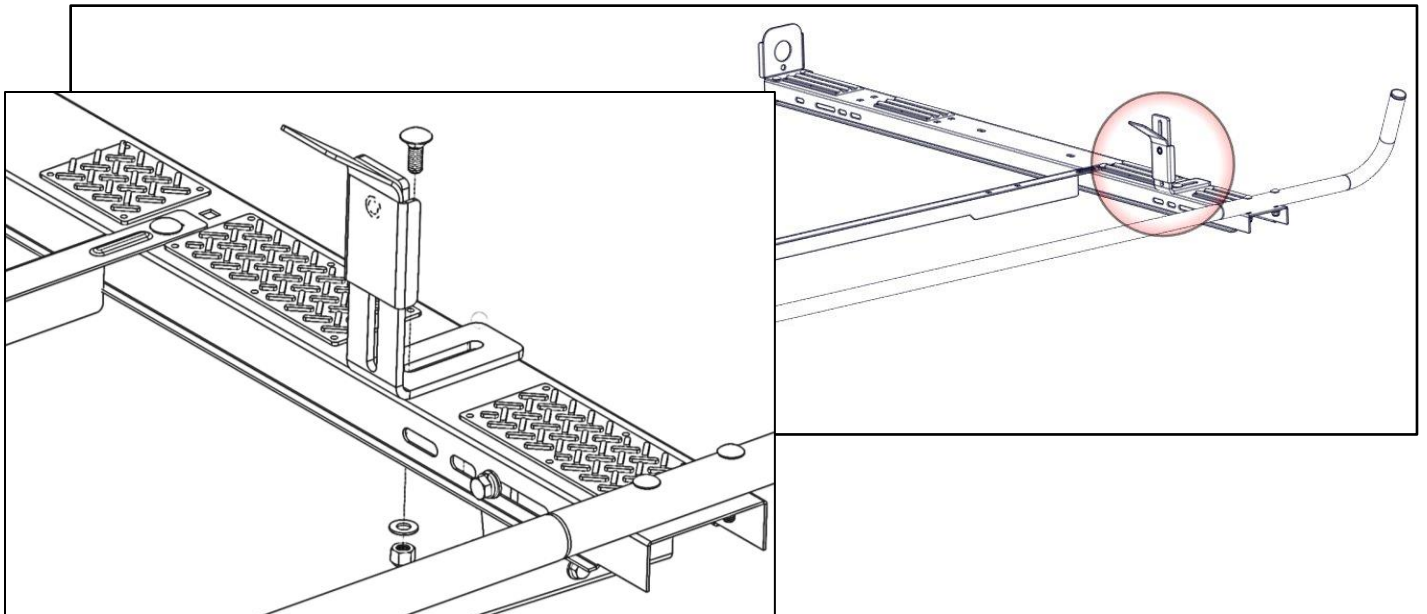
DO NOT EXCEED MANUFACTURERS WEIGHT CAPACITY FOR ROOF.

Adjustment Instructions

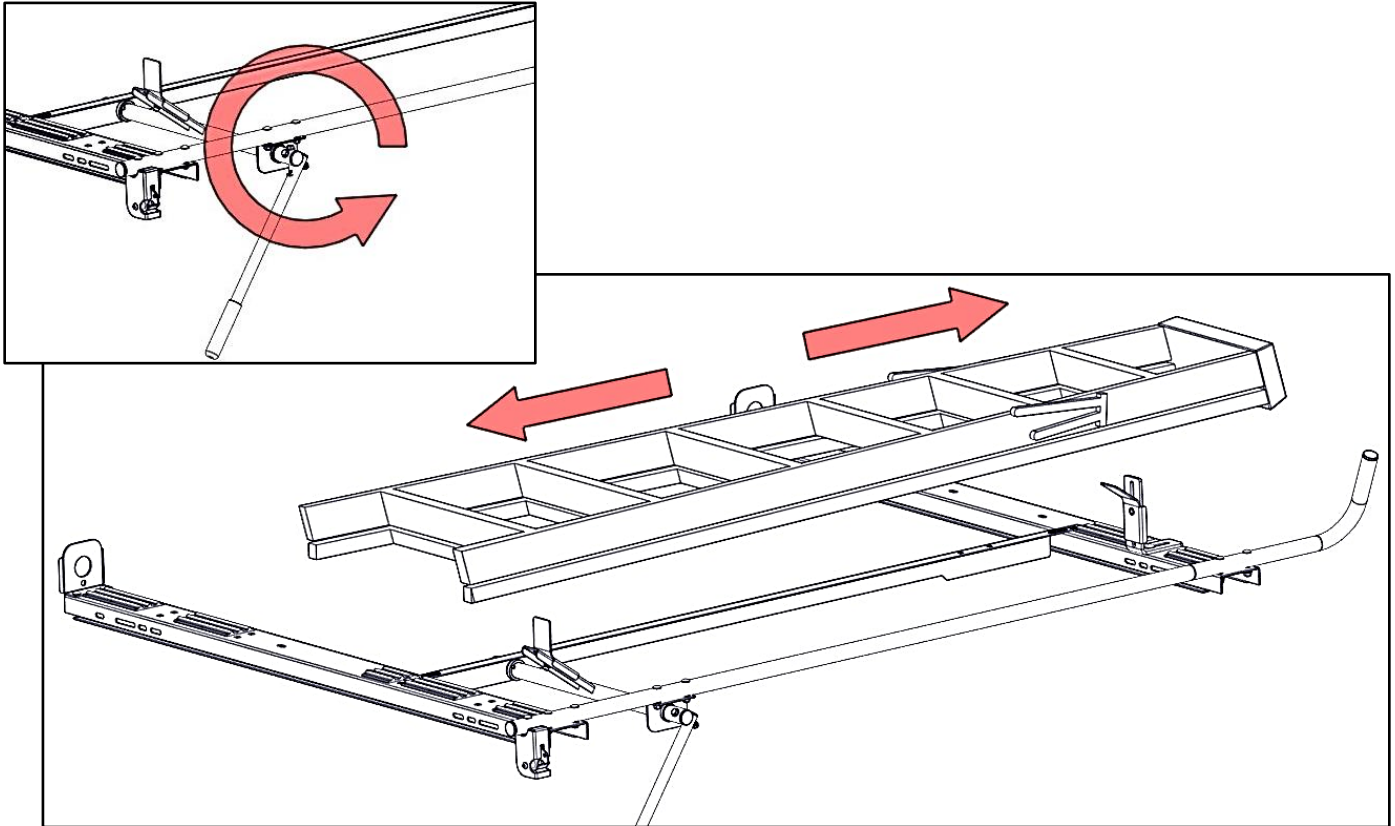
- Locate the angled pads.
- Loosen the bolt on both front and rear ladder stop angled pads, adjust them all the way up, and tighten the nuts.



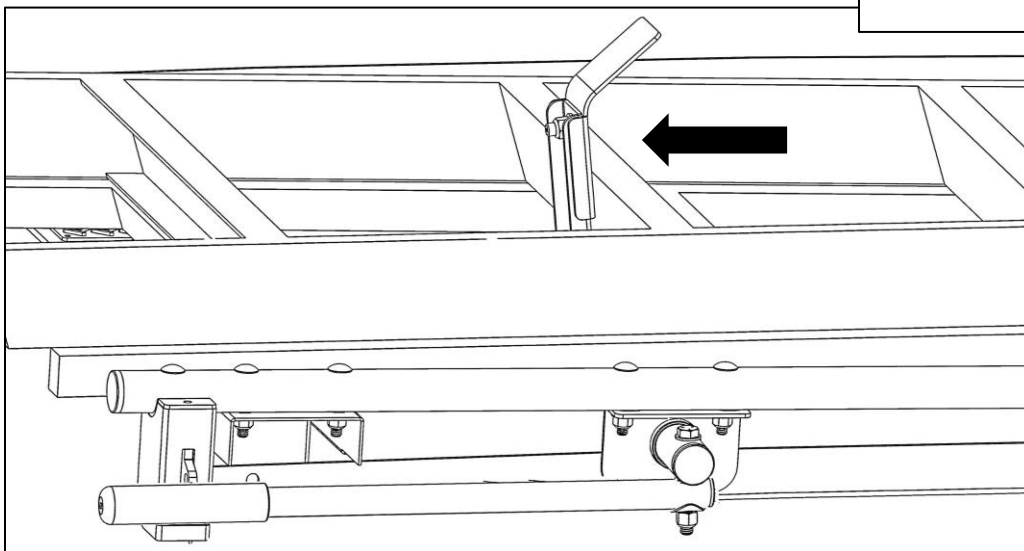
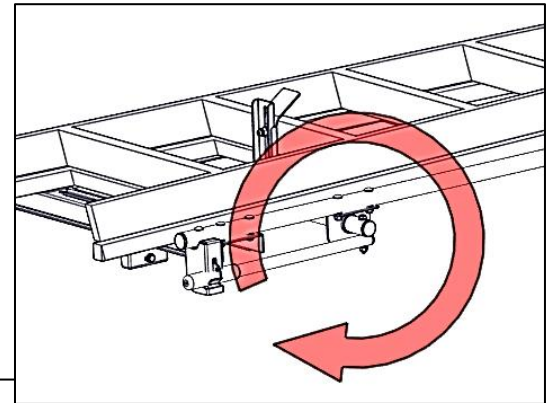
- Loosen the bolt that secures the front ladder stop to the cross member.



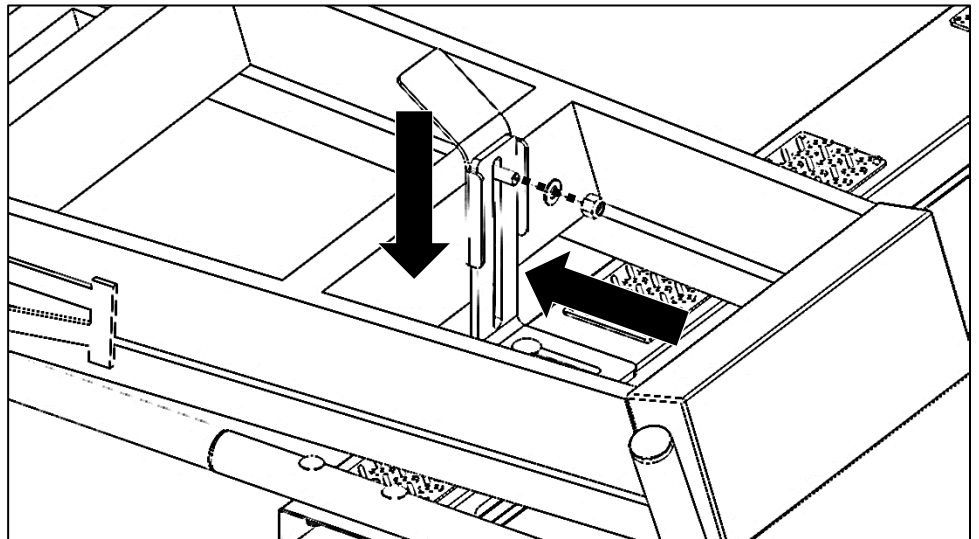
- Lower the clamping mechanism and load the ladder onto the rack.



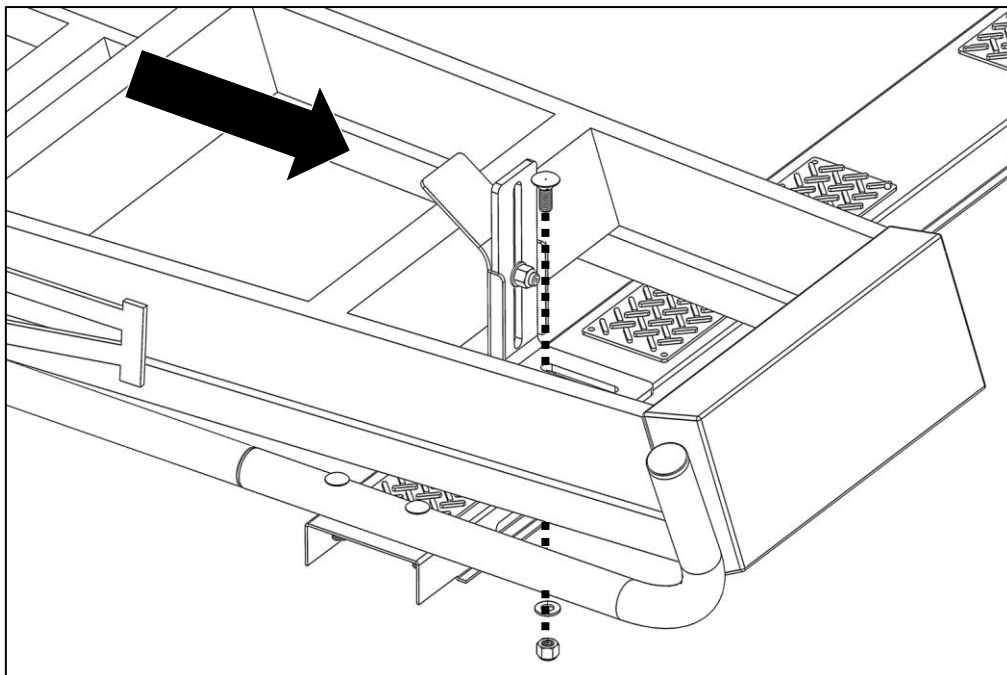
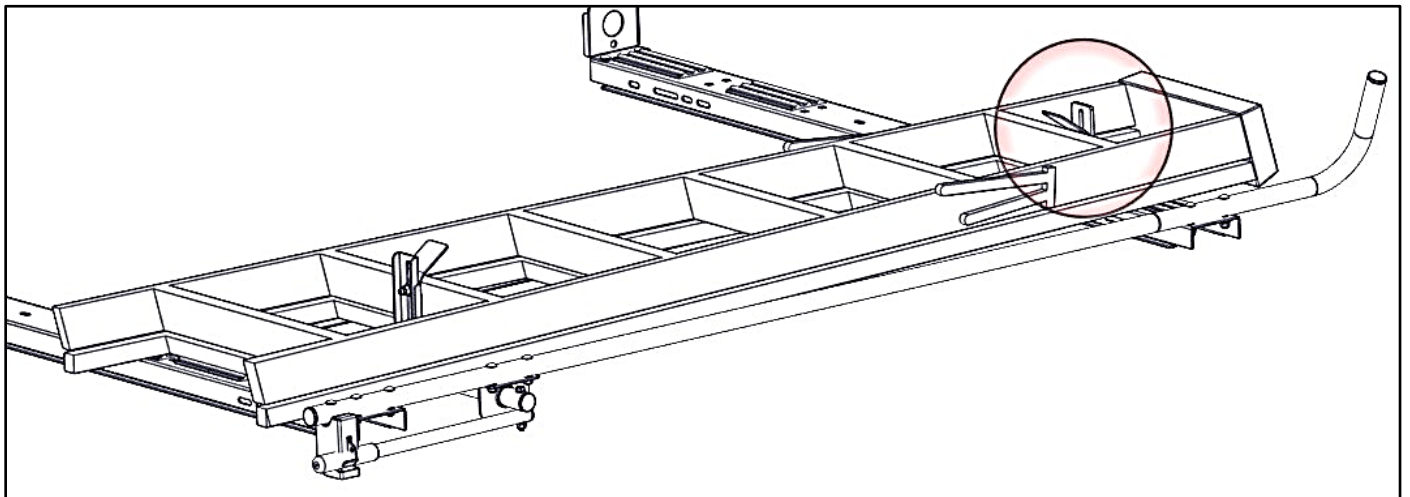
- Raise the clamping mechanism and lock the handle in the handle latch.
- Press ladder against the rear clamping mechanism.
- Loosen the hardware on the back of front ladder stop angled pad.
- Pressing on the ladder towards the rear, adjust angled pad downwards until it is firmly against the ladder.



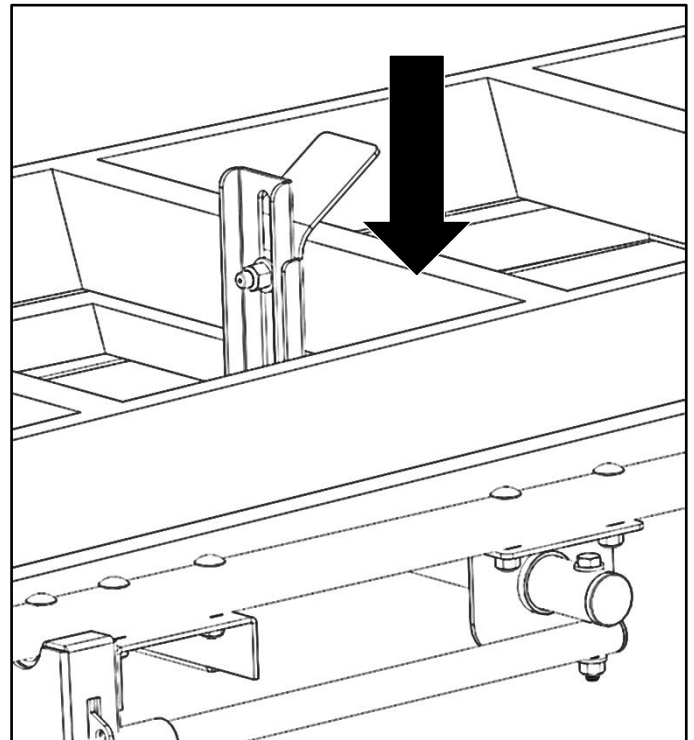
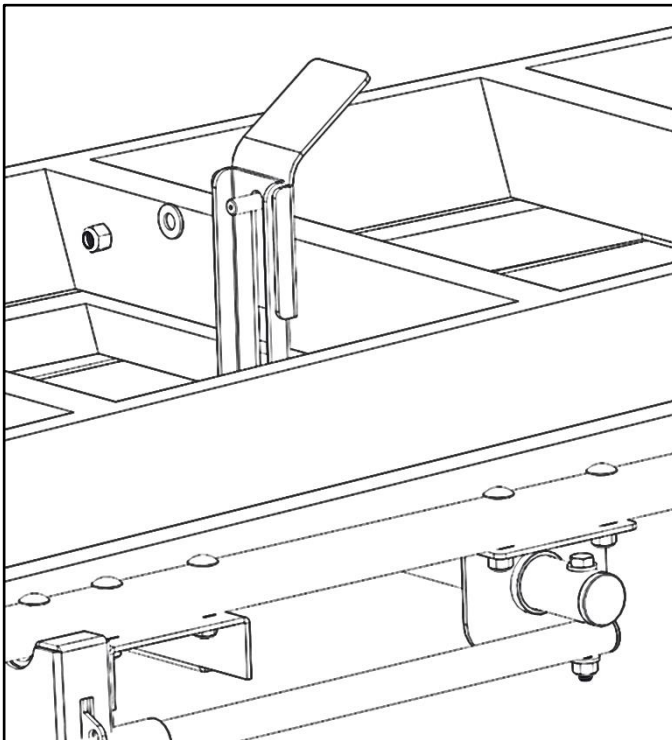
- Tighten the nut securing the angled pad to the ladder stop.



- Press the ladder towards the rear and the angle pads against the ladder rung, tighten the bolt securing the front ladder stop to the front bow.

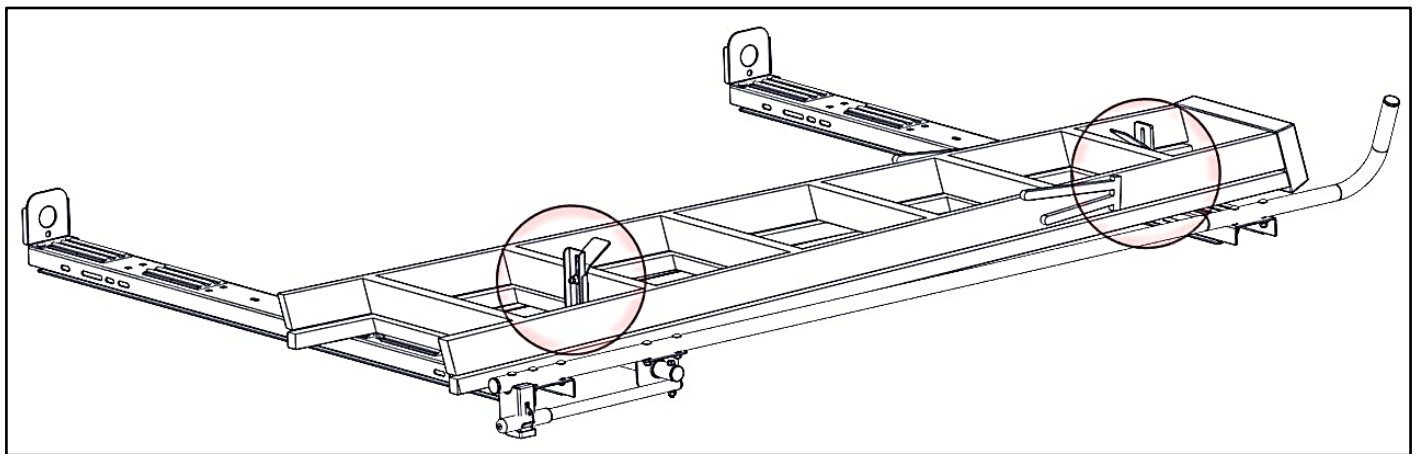


- Loosen the bolt securing the angled pad to the clamping mechanism.
- Unlatch the handle from the handle latch and, while holding the clamping mechanism in place, adjust the angled pad downwards until it sits firmly against the top of the ladder.
- Secure the handle into the handle latch and tighten the nut.



- The ladder rack is now adjusted for the ladder. To adjust to a different ladder, repeat the process.

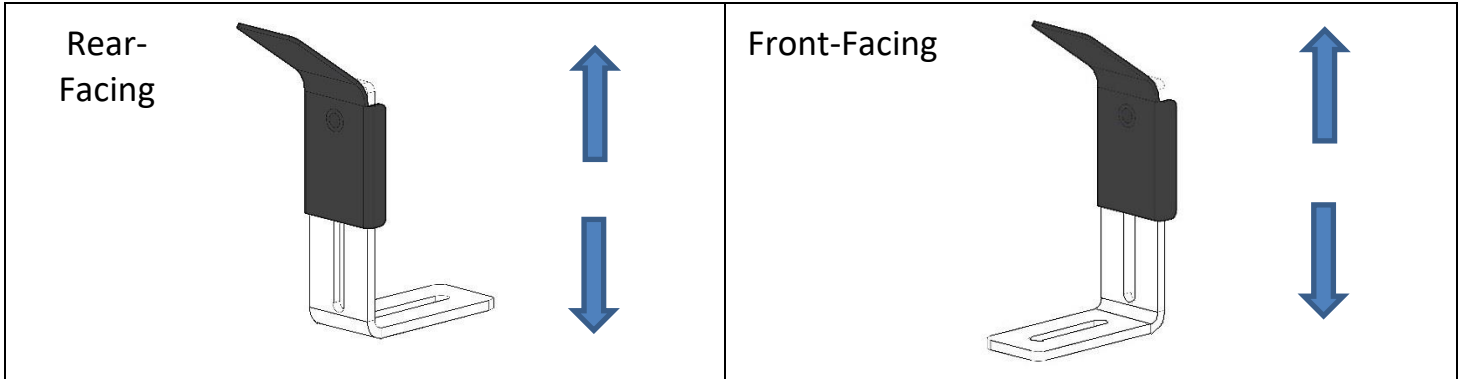
****BE SURE TO HAVE FIRM CONTACT ON BOTH LOCATIONS SHOWN BELOW.****



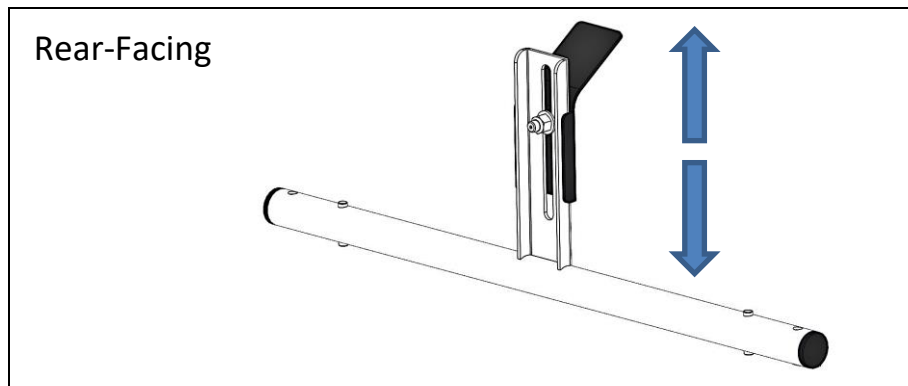
**** IT IS RECOMMENDED TO HAVE A TIE DOWN SECURING THE LADDER TO THE RACK DURING TRANSPORTATION. ****

See next pages for different orientations and locations for angled pads.

Angle Pad Orientations and Locations

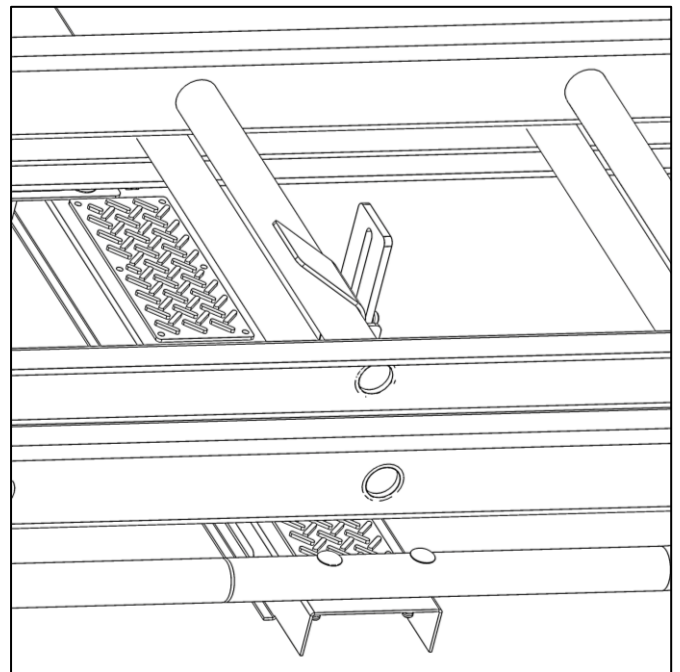
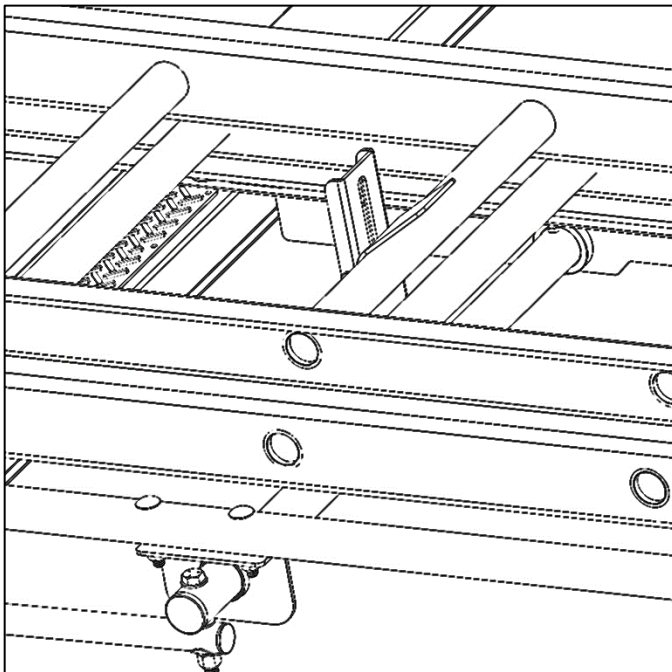


Clamp Mechanism Orientation and Angled Pad Positions



Examples of Ladder Clamps Firmly Against Ladder Rungs

- The ladder hook should be positioned in a way so the hook clamps the ladder tight into place. A tight fit ensures the ladder cannot fall off the rack.



**** BE SURE THE LADDER HOOKS ARE FIRMLY AGAINST THE LADDER STEPS OR RUNGS. ****