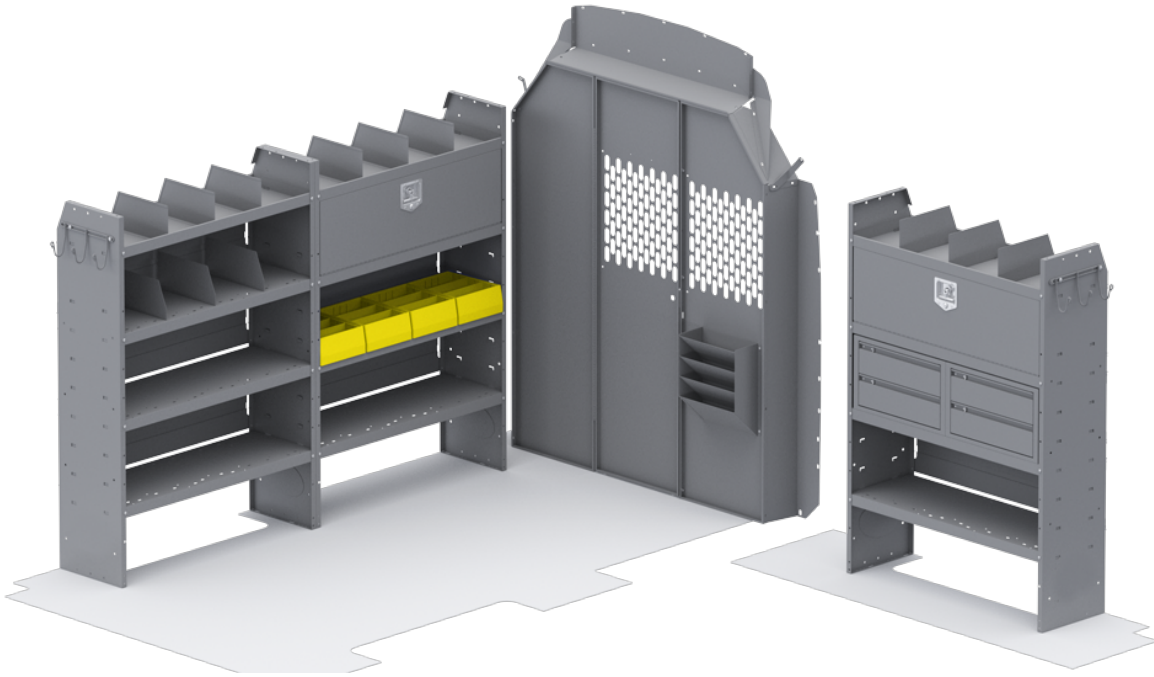


## SECURITY 60" H SHELVES - TRANSIT 148" WB HIGH ROOF

---

Part # : 43TRH





**CUSTOMIZE TO THE WAY YOU WORK**

## **BUILT TO WORK LIKE YOU DO**

Holman Van Interior Packages take the guess work out of where to begin uplifting your cargo van. With our strong easily adjustable shelving, partitions and accessories, our van packages have everything you need to put your van to work. Our professional designers and product engineers have created customized van packages for specific service categories to help you easily outfit a van based on input from experienced industry tradesmen.

- **Strong** - Holman shelves are built to last using the strongest steel and aluminum available.
- **Customizable** - Build and configure your interior your way. With options and accessories, your van will work how you want it to work.
- **Organized** - Nothing is more frustrating than not being able to find what you need. Our interior organizers will keep everything in it's place. Securely.
- **Guaranteed** - Holman Warranty

**PACKAGE INCLUDES**

<b>ITEM</b>	<b>DESCRIPTION</b>	<b>QTY</b>
48424	Shelf Unit - 42" W x 60" H x 14" D	3
40010	Shelf Door Kit 42" W	2
40070	Drawer Cabinet - 2 Drawers	2
40060	Hook - 3 Prong "J"	2
40270	Hanging File Holder	1
40030	Shelf Dividers 6" Tall (Set of 6)	2
40660	Partition - Perforated - Transit Mid/High Roof, Sprinter High Roof	1
40311	Small Parts Shelf Bin - 10" W Plastic	4
40669TH	Partition Wing Kit - Transit High Roof - For use with 4066X partitions	1