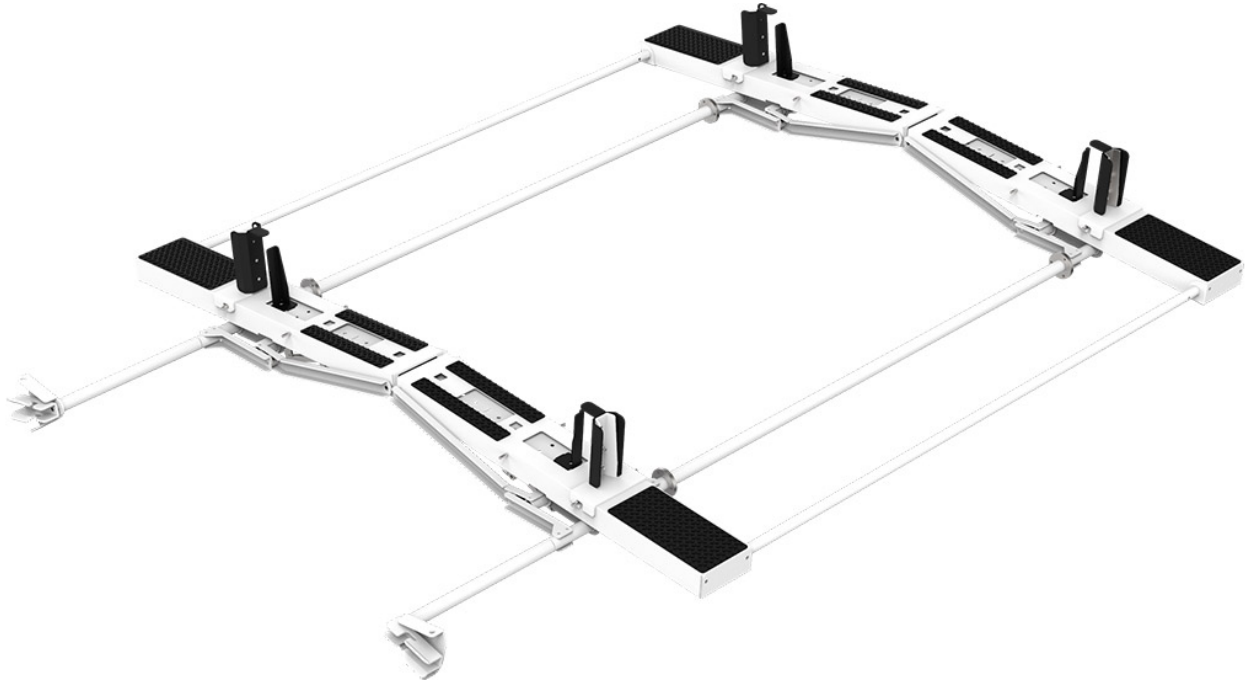


## **DROP DOWN LADDER RACK KIT - DOUBLE - TRANSIT MR**

---

**Part # : 4TMSDD**



### **Drop Down Ladder Rack Kit - Double - Transit Mid Roof**

\*On 2022-2023 Transit Mid Roof vans with the 130" wheelbase, you may need to use the 40918 mount kit in place of 409TD for this rack, due to the location of an antenna on the roof of the vehicle that interferes with the rack.

#### **Includes:**

- Rack bows
- Passenger side drop down mechanism
- Drivers side drop down mechanism
- Mount Kit

#### **Features:**

- Adjustable clamps firmly secure ladder to rack
- Quick & easy to assemble and install
- Rung grips are adjustable to secure extension ladders of all sizes.
- Rugged crossbows are low over van roof to reduce overall vehicle height and to facilitate loading and unloading.
- Zinc epoxy primed for superior rust resistance.
- Chip resistant powder coat finish.

- Holman Warranty

## Vehicle Fit:

Ford Transit Mid Roof

### PACKAGE INCLUDES

ITEM	DESCRIPTION	QTY
4099H-2	Drop Down Ladder Rack - Mid/High Roof Transit, High Roof NV, ProMaster & Sprinter (Box 2 of 2)	1
40913	Drop Down Ladder Racks Driver Side Mechanism - High Roof Vans (Add to 4099H or 47993)	1
409TD	Mount Kit - Transit Drop Down Ladder Racks	1
4099H-1	Drop Down Ladder Rack - Mid/High Roof Transit, High Roof NV, ProMaster & Sprinter (Box 1 of 2)	1