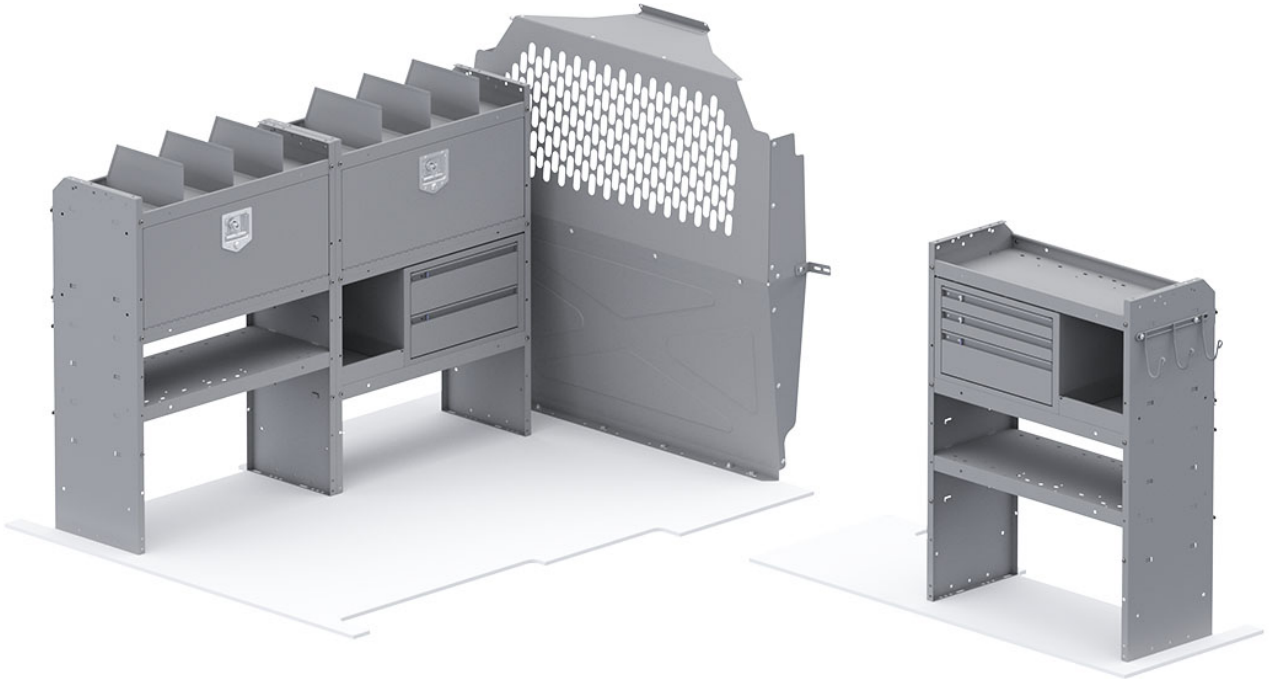
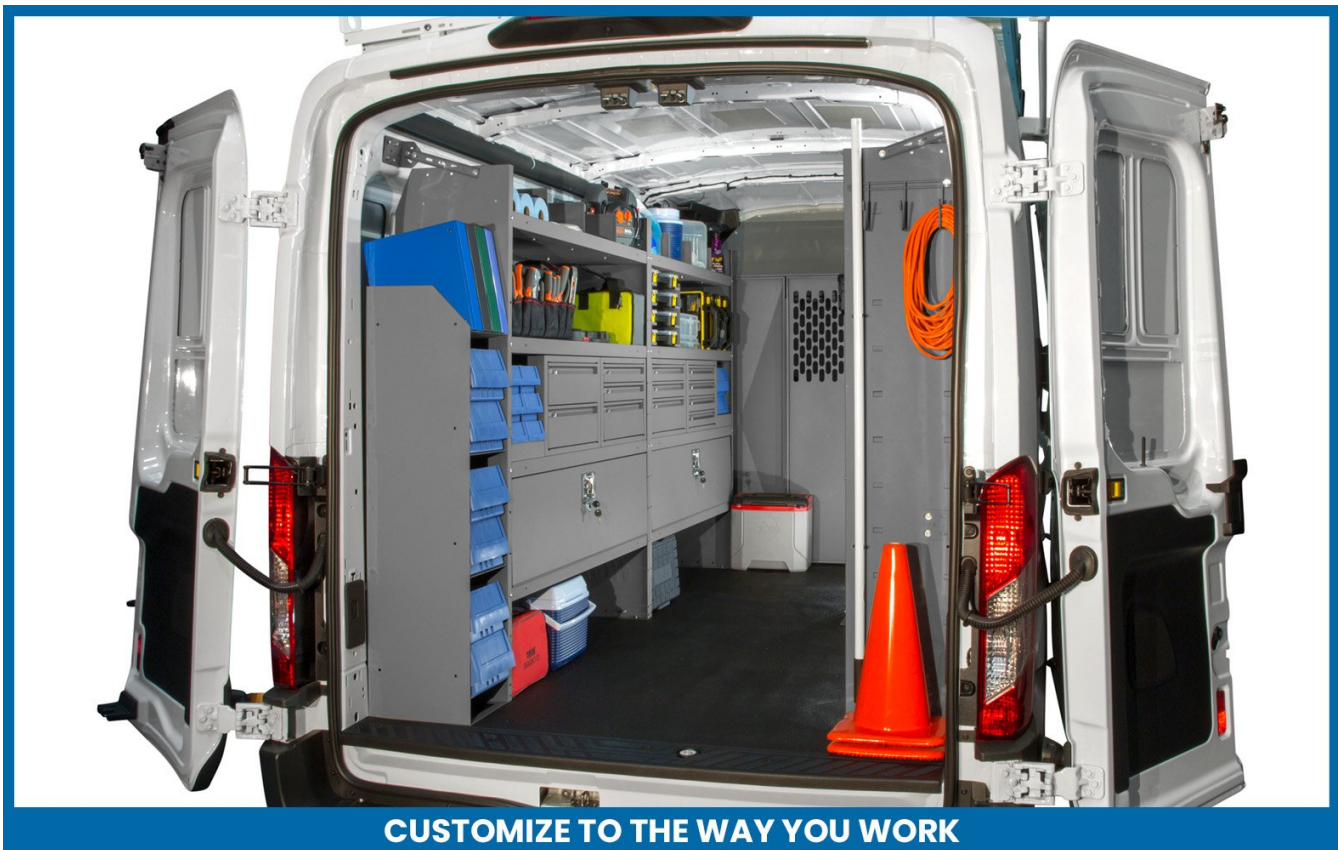


## QUICK PACKAGE PRO - PROMASTER CITY

---

Part # : FFP-PCL





## BUILT TO WORK LIKE YOU DO

Holman Van Interior Packages take the guess work out of where to begin uplifting your cargo van. With our strong easily adjustable shelving, partitions and accessories, our van packages have everything you need to put your van to work. Our professional designers and product engineers have created customized van packages for specific service categories to help you easily outfit a van based on input from experienced industry tradesmen.

- **Strong** - Holman shelves are built to last using the strongest steel and aluminum available.
- **Customizable** - Build and configure your interior your way. With options and accessories, your van will work how you want it to work.
- **Organized** - Nothing is more frustrating than not being able to find what you need. Our interior organizers will keep everything in it's place. Securely.
- **Guaranteed** - Holman Warranty

PACKAGE INCLUDES

<b>ITEM</b>	<b>DESCRIPTION</b>	<b>QTY</b>
40670	Partition - Perforated - Compact Vans	1
4832L	Shelf Unit - 32" W x 43" H x 14" D	3
40020	Shelf Door Kit 32" W	2
40070	Drawer Cabinet - 2 Drawers	1
40080	Drawer Cabinet - 3 Drawers	1
40030	Shelf Dividers 6" Tall (Set of 6)	1
48190	Shelf Lip 10" L x 2.75" H	2
48301PC	Shelf Mount Kit - ProMaster City - Use with 4832L	2
40060	Hook - 3 Prong "J"	1