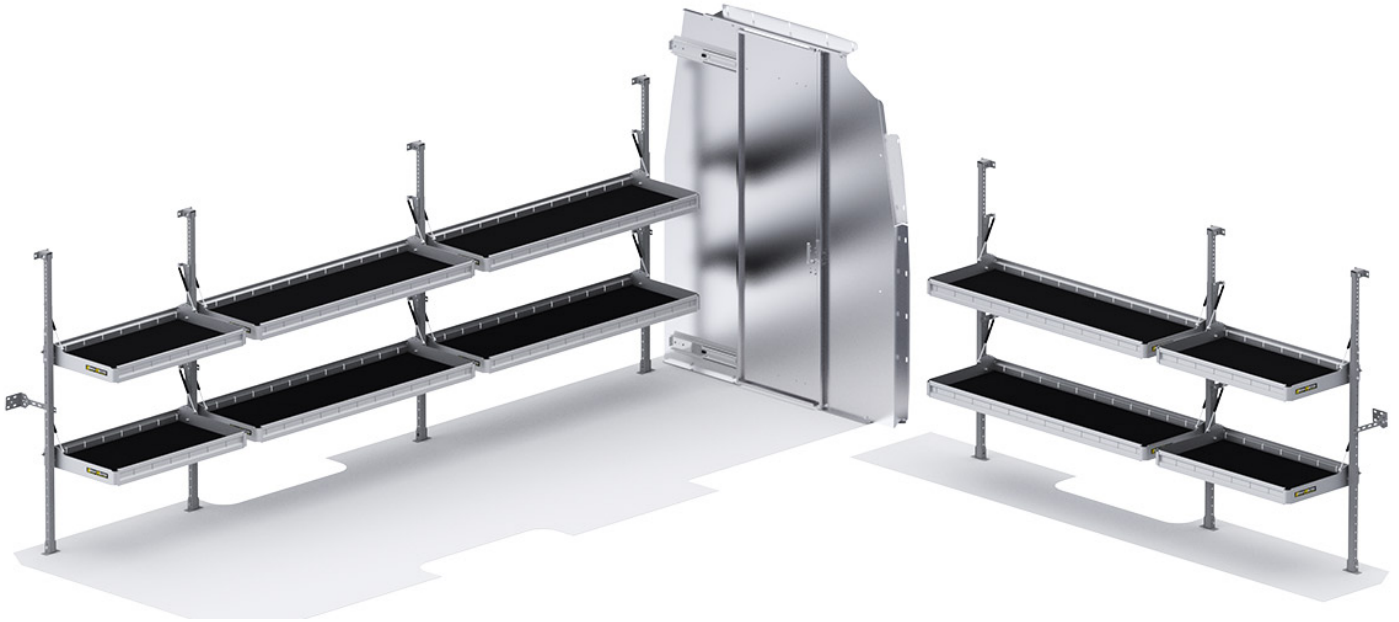


FOLDING SHELVES PACKAGE - SPRINTER 170" EXT WB HIGH ROOF - SLIDING PARTITION

Part # : 51SEH



PACKAGE INCLUDES

ITEM	DESCRIPTION	QTY
48606	Folding Shelf Unit - 60" W x 20" D	2
48007	Folding Shelf - Leg	1
48367	Folding Shelf - Extra Shelf - 36" W x 20" D	2
48366	Folding Shelf Unit - 36" W x 20" D	1
48607	Folding Shelf - Extra Shelf - 60" W x 20" W	2
40601SH	Partition - Aluminum Sliding Door - Sprinter High Roof (No Wing Kit Required)	1