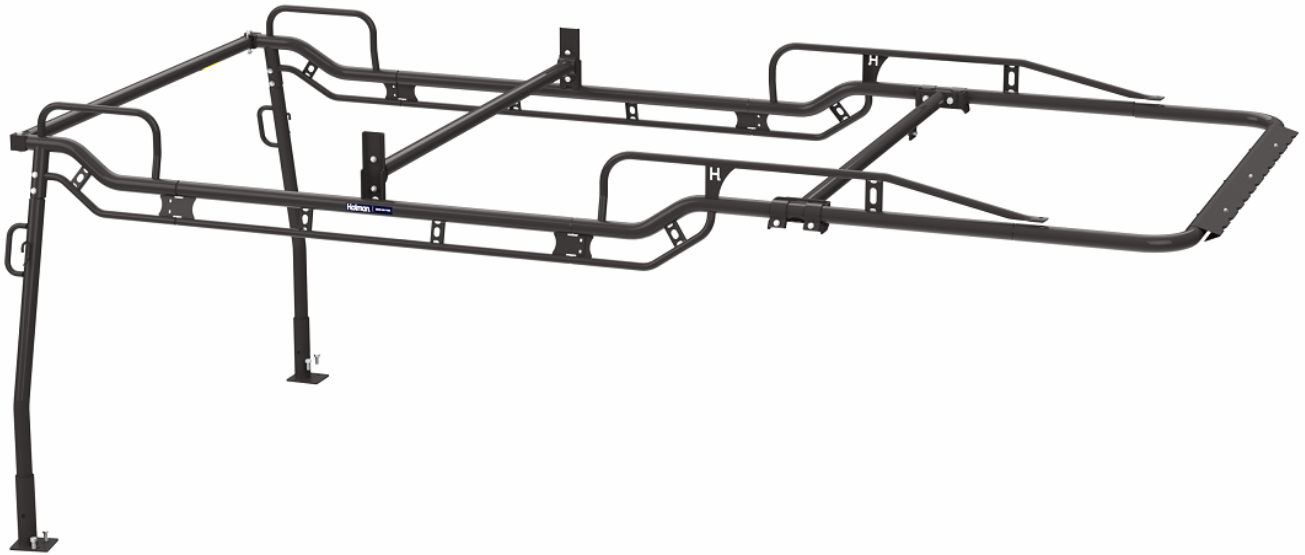


## THE PRO RACK FULL KIT - PLATFORM BODIES, FORKLIFT LOADABLE, 8' BODY, REGULAR CAB - NOT COMPATIBLE WITH PII PART NUMBERS

---

Part # : 2PBF8R



### The Pro Rack Full Kit - Platform Bodies - Forklift Loadable | 8' Body, Regular Cab

*The Pro Rack is a new line of heavy duty racks for full-size work trucks, service bodies, and platform bodies.*

NOT COMPATIBLE WITH PRO II MODELS.

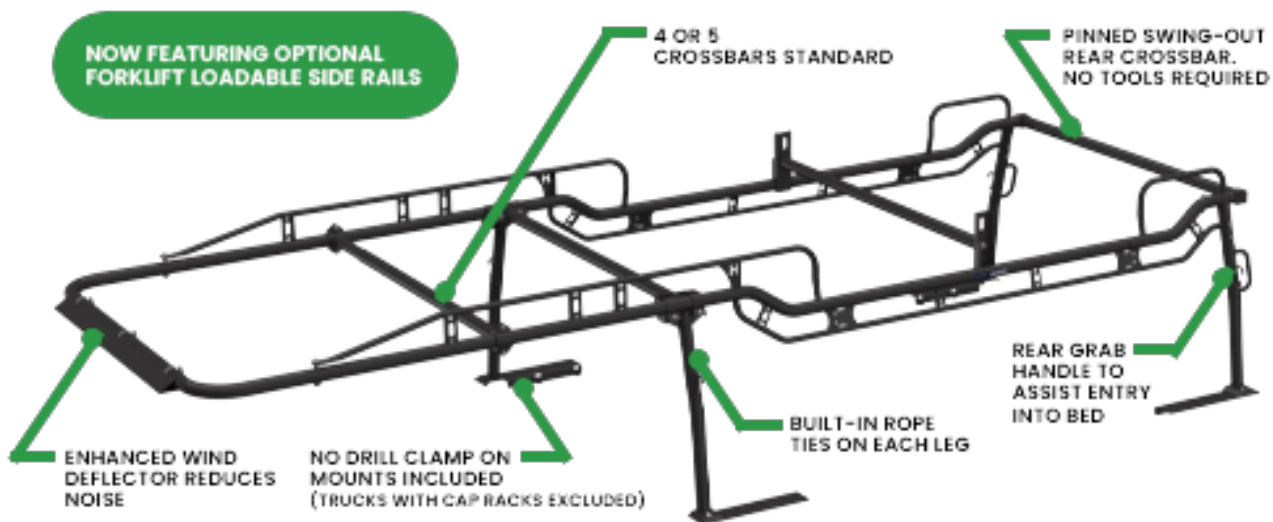
#### Vehicle Fit

|                    |
|--------------------|
| 8' Platform Bodies |
|--------------------|

---

## THE PRO RACK DIFFERENCE

---



Serious tradesmen use substantial tools. Holman racks are the top choice because they work hard and look great!

## New Features

- Optional forklift loadable side rails to allow for safer and more efficient loading of the rack.
- Swing-out rear crossbar designed to ease the loading process
- More fitment options to fit every truck configuration including short bed and crew cab applications
- Adjustable front leg mounting to fit more vehicle applications with a single rack
- Improved foot mounting that reduces horizontal deflection and creates a stronger rack
- Easy entry grab handles mounted low on the rear for added support
- Wind deflector now included as standard

## Returning Features

| Industrial Grade Strength                                                                                                                                                                                                                        | Premium Powder Coat Finish                                                                                                                                                                                                              | Professional Look                                                                                                                                         | Other Features                                                                                                                   |
|--------------------------------------------------------------------------------------------------------------------------------------------------------------------------------------------------------------------------------------------------|-----------------------------------------------------------------------------------------------------------------------------------------------------------------------------------------------------------------------------------------|-----------------------------------------------------------------------------------------------------------------------------------------------------------|----------------------------------------------------------------------------------------------------------------------------------|
| <ul style="list-style-type: none"> <li>• 2" dia. steel tube frame is the strongest available for modular racks.</li> <li>• 5" swaged joints are made for the toughest commercial applications.</li> <li>• Nationwide frame guarantee.</li> </ul> | <ul style="list-style-type: none"> <li>• Zinc epoxy primed for superior corrosion protection.</li> <li>• Polyester marine-grade powder coat specially formulated to resist corrosion and abrasion.</li> <li>• Certified ASTM</li> </ul> | <ul style="list-style-type: none"> <li>• Sleek "Flying Wedge" design.</li> <li>• Smooth round tube components.</li> <li>• Stylish gloss black.</li> </ul> | <ul style="list-style-type: none"> <li>• High-strength rust-proof self-locking fasteners.</li> <li>• Holman Warranty.</li> </ul> |

1000 hour salt spray testing.

**PACKAGE INCLUDES**

| <b>ITEM</b> | <b>DESCRIPTION</b>                                                                                               | <b>QTY</b> |
|-------------|------------------------------------------------------------------------------------------------------------------|------------|
| 12005       | The Pro Rack Leg & Crossbar Kit - Platform Bodies - Not compatible with PII part numbers                         | 1          |
| 12202       | The Pro Rack Side Channel Kit - Forklift Loadable - Long Bed, Regular Cab - Not compatible with PII part numbers | 1          |